

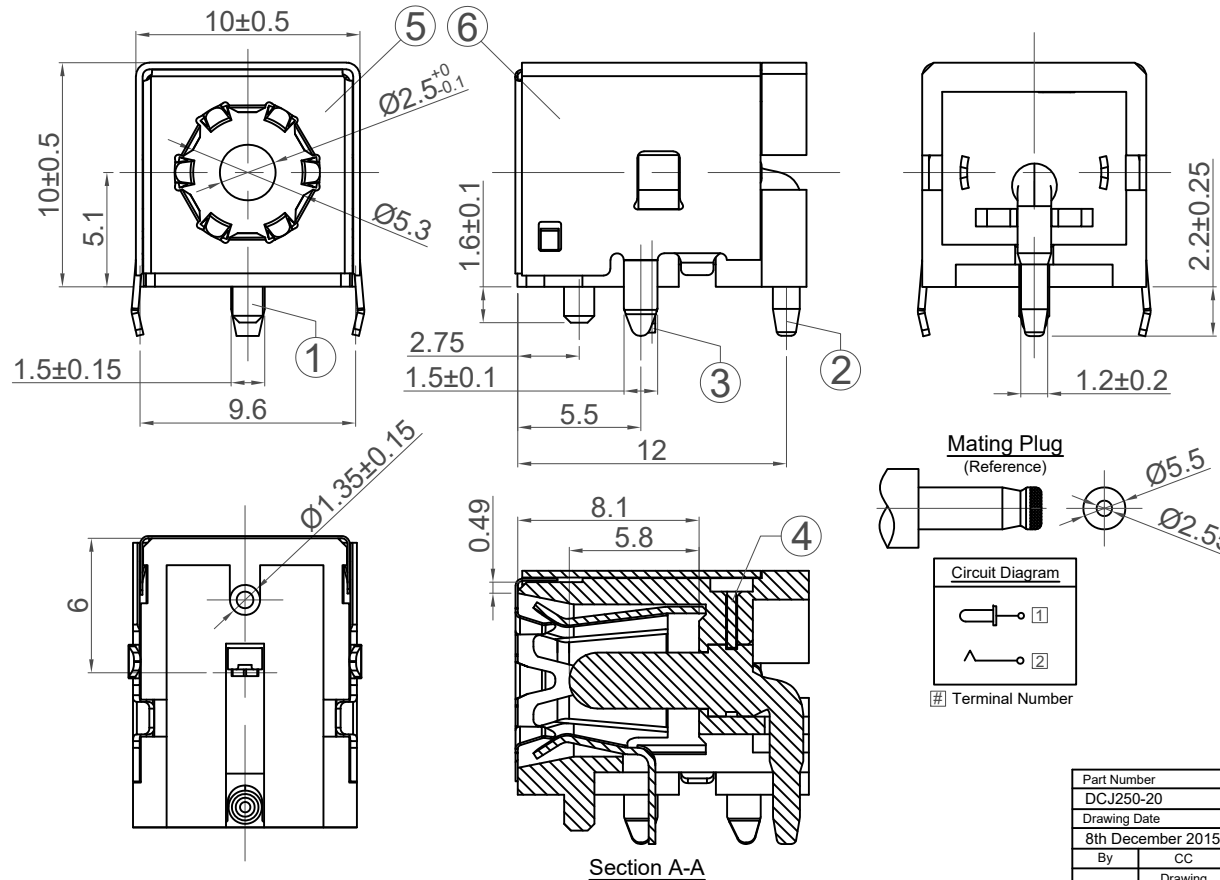
Specifications

Electrical

Voltage Rating: 30 V DC
 Current Rating: 8 Amp
 Insulation Resistance: 100 MΩ min.
 Dielectric Withstanding: 500 V AC
 Contact Resistance: 30 mΩ max.

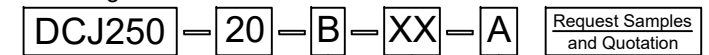
Mechanical & Environmental

Operating Temperature: -20°C to +70°C
 Durability: 5,000 cycles min.



No.	Description	Material	Q'ty
①	Housing	PA10T, UL94 V-0	1
②	Centre Pin	① Zinc Alloy, Nickel plating	1
③	Tip Spring	② Copper Alloy, Silver plating	1
④	Terminal	Copper Alloy	1
⑤	Shield Plate	Stainless Steel	1
⑥	Ground Terminal	E Copper Alloy, Nickel plating	1

Ordering Grid



Circuit Diagram

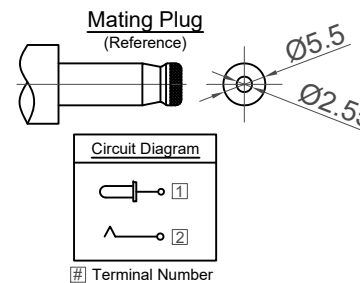
B = 2 Conductors/2 Contacts

Insulator Colour

K1 = Black (Standard)
O1 = Orange (157C)

Packing

A = Tape & Reel
 (200 per reel)



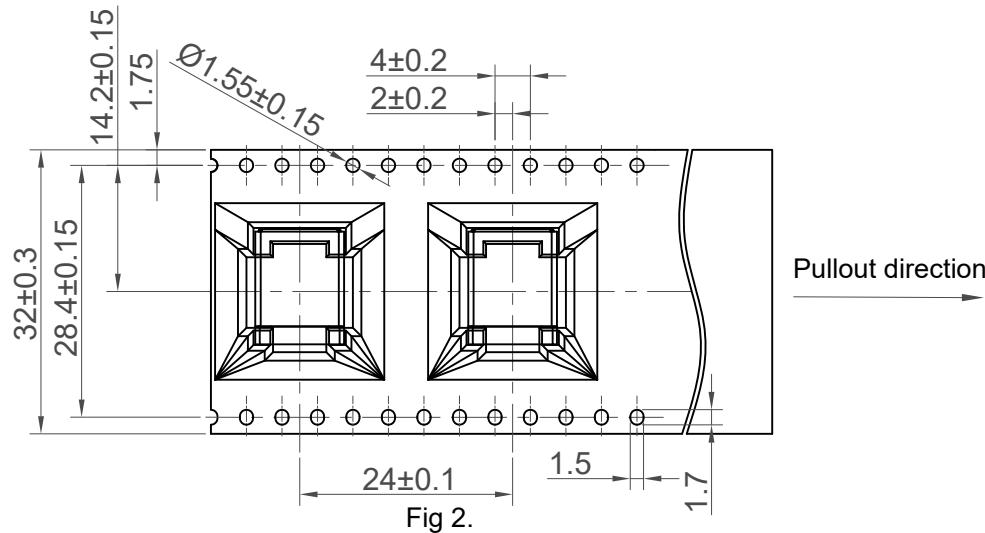
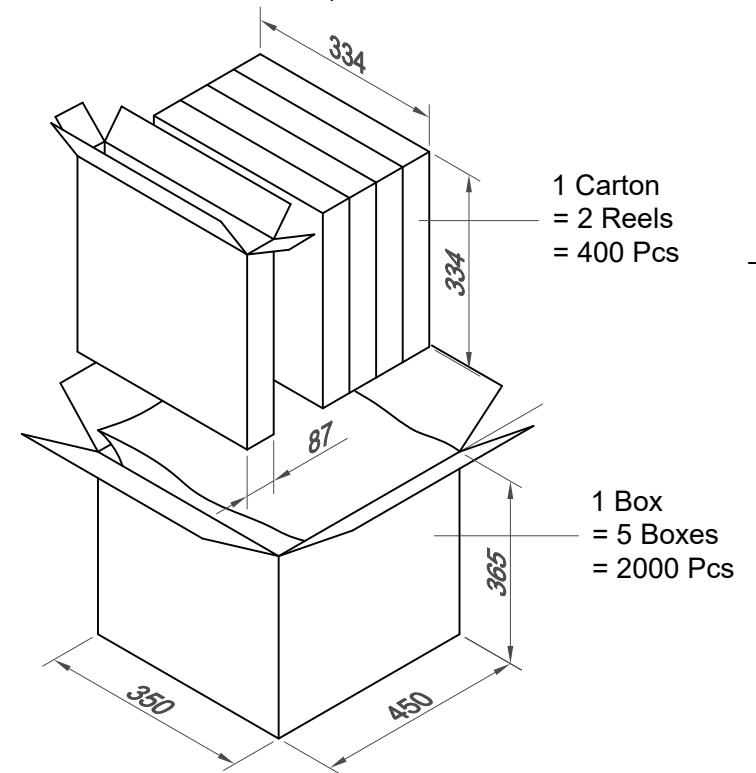
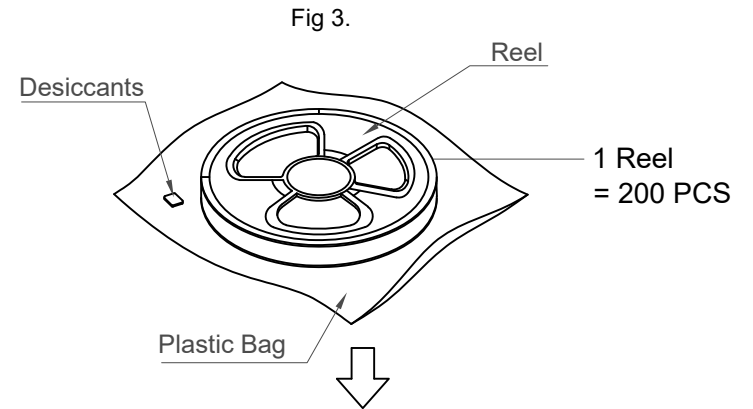
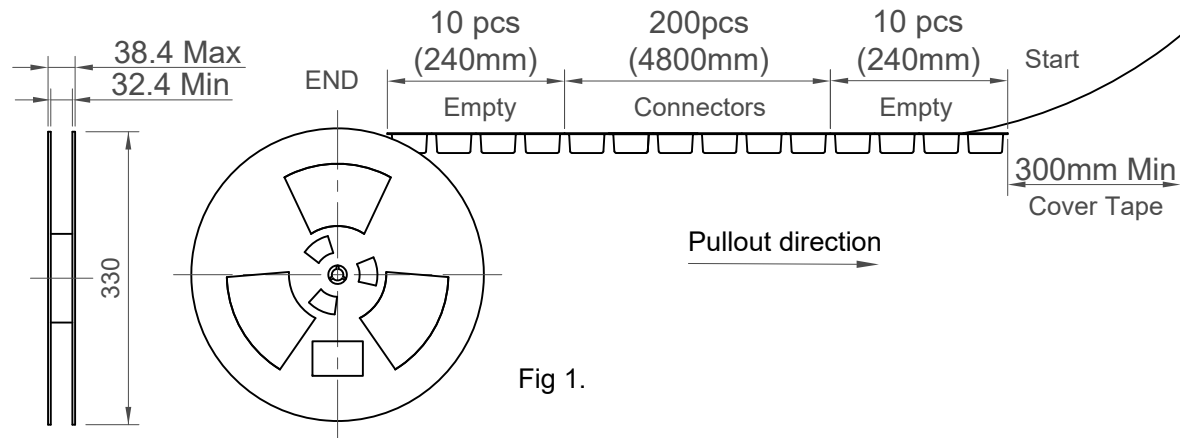
Part Number DCJ250-20		Product Description DC Power Jack, Thru-Hole, Horizontal, Shielded w/ Locating Peg, Ø2.50mm Pin mates with Ø2.55mm Plug	
Drawing Date 8th December 2015			
By CC	Detail Drawing Release	Tolerances (Except as Noted) Length: ± 0.3	Units: Metric (mm): ± 2°
Revision A2	Date 05/12/23		

This drawing is confidential and copyright of Global Connector Technology, Ltd (GCT). This drawing must not be copied or disclosed without written consent. E & OE



Not to Scale	Drawn By AJO	Sheet No. 1/2
--------------	-----------------	------------------

Part Number	Pcs/Reel	Reels/Carton	Cartons/Box	Pcs/Box
DCJ250-20	200	2	5	2000



REMARK:

- 1.The connector can not be loaded on the position of length 240mm in the reel tape and lead tape.The cover tape with 20~30mm length shall not be adhesive on the lead tape and the cover tape is lead portion shall have 300mm min length (Refer FIG 1).
- 2.Tape shall turn on right direction.
- 3.The direction of connector is fixed regarding the position of terminal,please refer outline drawing (Refer FIG 2).
- 4.After winding,using the adhesive tape(30~50mm) to stick the leader of cover tape on the side of reel.
- 5.One reel can be loaded 200 pcs connector.
- 6.The label shall be pasted on the front side of reel .
- 7.Condition of 300mm per minute ,the extraction strength of cover tape shall reach 20~150 gf.
- 8.If the quantity is less then 6 reels per carton, the packing shall be able to resist shaking.

Part Number		Product Description	
DCJ250-20		DC Power Jack, Thru-Hole, Horizontal, Shielded w/ Locating Peg, Ø2.50mm Pin mates with Ø2.55mm Plug	
Drawing Date		8th December 2015	
By	CC	Tolerances (Except as Noted)	Units:
Detail	Drawing Release	Length	Metric (mm)
Revision	A2	± 0.3	± 2°
Date	05/12/23	3rd Angle Projection	



This drawing is confidential and copyright of Global Connector Technology, Ltd (GCT). This drawing must not be copied or disclosed without written consent. E & OE



Not to Scale	Drawn By AJO	Sheet No. 2/2
--------------	--------------	---------------