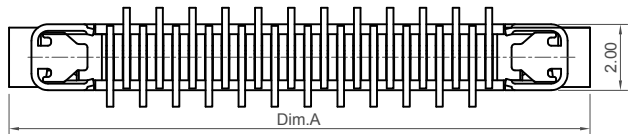
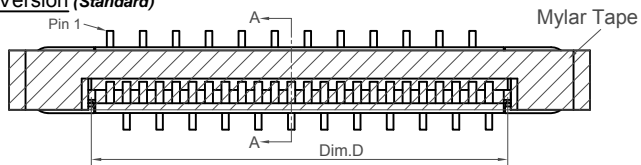
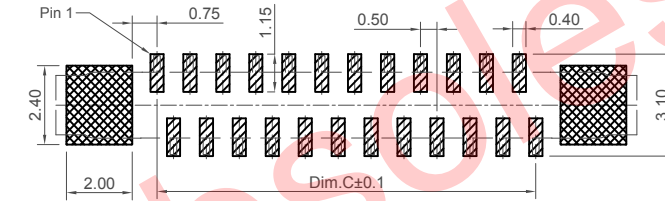
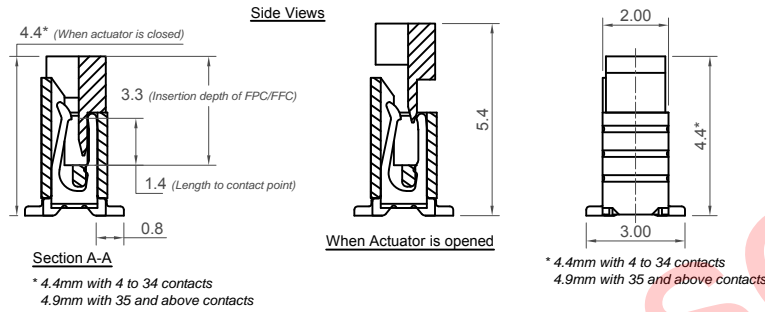
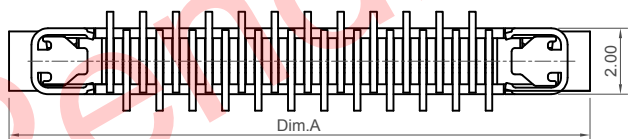
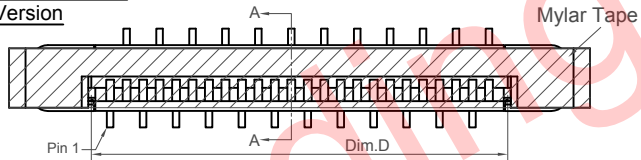


**Left Footprint Version (Standard)**

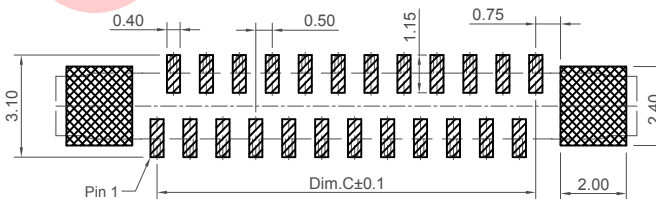


**Right Footprint Version**

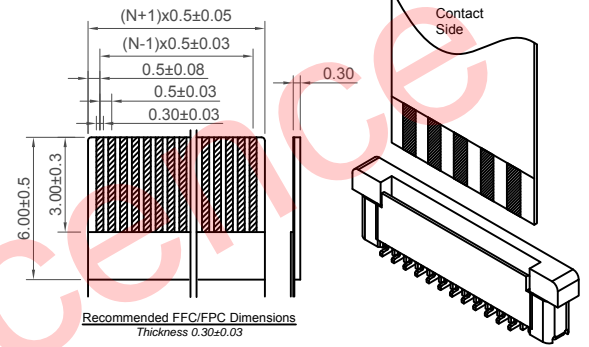


**Recommended PCB Layouts**  
As viewed from component side

▨ Solder Area   ▩ Keep Out Area   □ Component Outline



No. of Contacts	Dimensions			
	A	B	C	D
4	7.6	6.5	1.50	2.60
5	8.1	7.0	2.00	3.10
6	8.6	7.5	2.50	3.60
8	9.6	8.5	3.50	4.60
10	10.6	9.5	4.50	5.60
12	11.6	10.5	5.50	6.60
14	12.6	11.5	6.50	7.60
20	15.6	14.5	9.50	10.60
22	16.6	15.5	10.50	11.60
24	17.6	16.5	11.50	12.60
30	20.6	19.5	14.50	15.60
31	21.1	20.0	15.00	16.10
40	25.6	24.5	19.50	20.60



**Specifications**

**Material**

Housing: High-Temp Plastic, LCP, UL 94V-0, White  
 Actuator: LCP, UL 94V-0, Black  
 Contact: Phosphor Bronze  
 Finish (a) Contact Plating: see ordering grid  
 (b) Underplating: Nickel-plated all over  
 Fitting Nail: Brass, tin plated

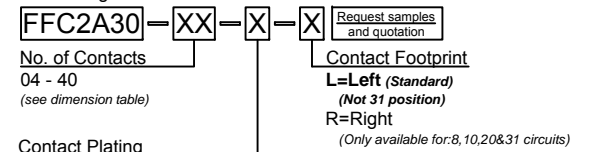
**Mechanical & Environmental**

Durability: 20 Cycles  
 Operating Temperature: -25°C to +85°C  
 Solder Profile: Peak Temp 260°C (+0/-5°C) max. (5 seconds)

**Electrical**

Voltage Rating: 50V AC/DC max.  
 Current Rating: 0.4A AC/DC max.  
 Dielectric Strength: 250V AC for 1 minute between adjacent terminal, no breakdown  
 Insulation Resistance: 50 MΩ min. 250V DC for 1 minute between adjacent terminal  
 Contact Resistance: 40 mΩ max.

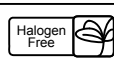
**Ordering Grid**



**Contact Plating**

**T=Tin Plating over all (Standard)**  
 (1000pcs per reel)  
**G=Gold Flash over all**  
 (Only available in 31 circuits)  
 (1000pcs per reel)

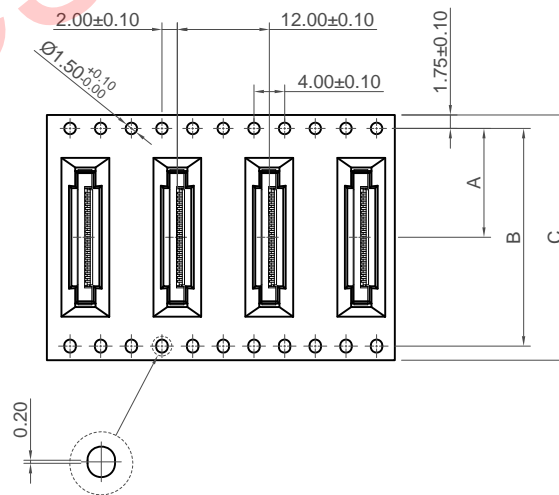
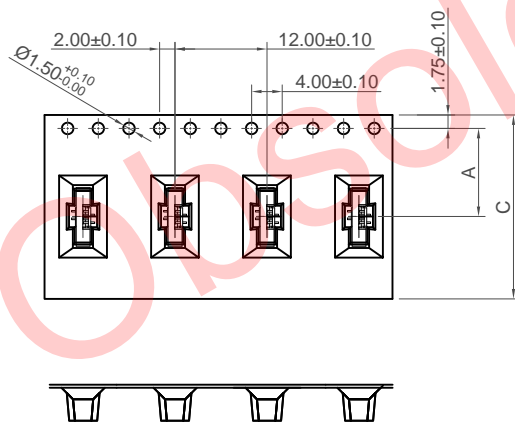
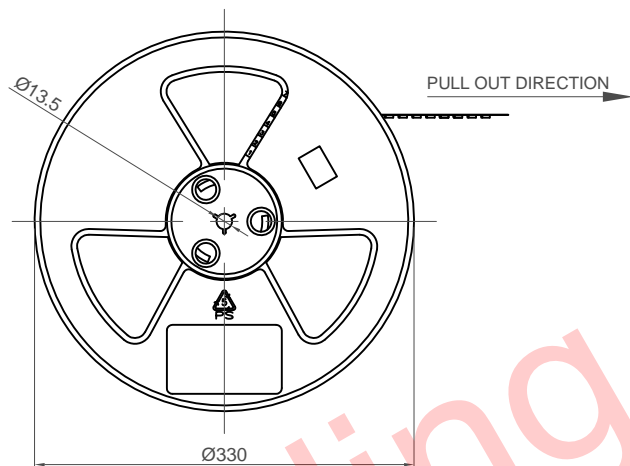
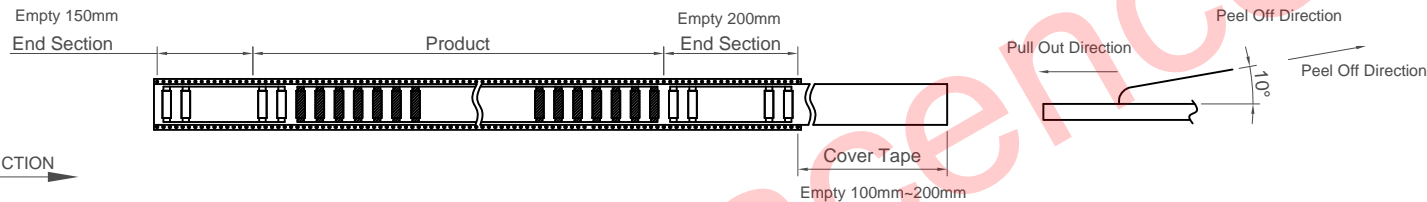
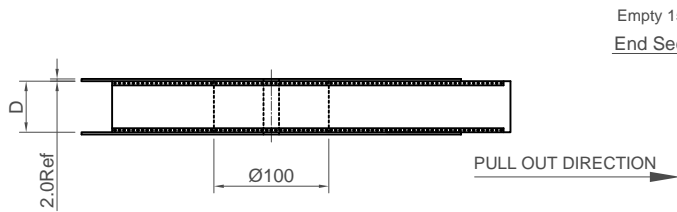
Part Number		Product Description	
FFC2A30		FPC 0.5mm Pitch Top Entry, Left or Right Footprint, SMT, Height=4.4mm, ZIF, Slide Type	
Drawing Date		24th May 2010	
By	CC	Tolerances (Except as Noted)	Units:
Detail	FFC2A30 F PCN	Length X.X ± 0.30 X.XX ± 0.15 X.XXX ± 0.10	Metric (mm)
Revision	F2	Angle X.X° ± 2° X.XX° ± 1° X.XXX° ± 0.5°	3rd Angle Projection
Date	27/07/17		



This drawing is confidential and copyright of Global Connector Technology, Ltd (GCT). This drawing must not be copied or disclosed without written consent. E & OE



Not to Scale   Drawn By PKN   Sheet No. 1/2



No. of Contacts	Dimensions			
	A	B	C	D
4	7.5±0.20	/	16.0±0.30	16.4±0.30
5 ~ 19&21~22	11.5±0.20	/	24.0±0.30	24.4±0.30
20&23 ~ 30	14.2±0.20	28.4±0.20	32.0±0.30	32.4±0.30
31 ~40	20.2±0.25	40.4±0.20	44.0±0.30	44.4±0.30

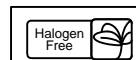
**NOTES:**

1.Number of Connectors:  
1000 Pcs/Reel

2.Material  
Carrier Tape:PET,PE,PEF  
Reel:PS

3.Peeling off force of top tape  
30gf~130gf

Part Number		Product Description	
FFC2A30		FPC 0.5mm Pitch Top Entry, Left or Right Footprint, SMT, Height=4.4mm, ZIF, Slide Type	
Drawing Date		24th May 2010	
By	CC	Tolerances (Except as Noted)	Units:
Detail	FFC2A30 F PCN	Length X.X ± 0.30 X.XX ± 0.20 X.XXX ± 0.10	Metric (mm)
Revision	F2	Angle X.X° ± 5° X.XX° ± 3° X.XXX° ± 1°	3rd Angle Projection
Date	27/07/17		



This drawing is confidential and copyright of Global Connector Technology, Ltd (GCT). This drawing must not be copied or disclosed without written consent. E & OE



www.gct.co

Not to Scale	Drawn By PKN	Sheet No. 2/2
--------------	-----------------	------------------