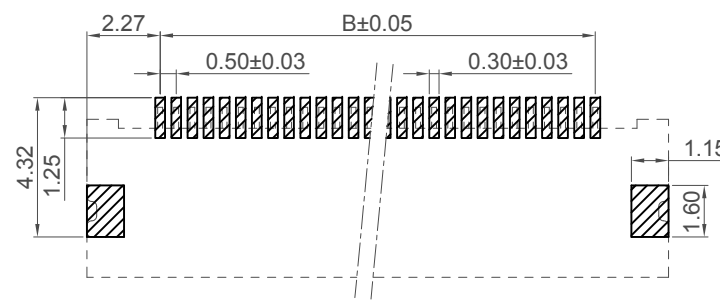
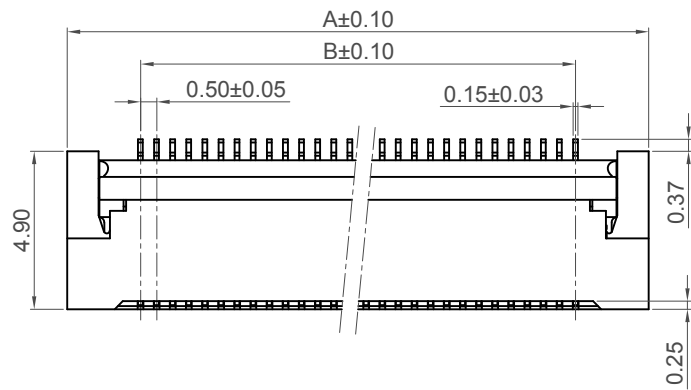
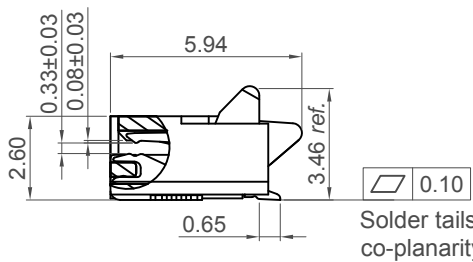
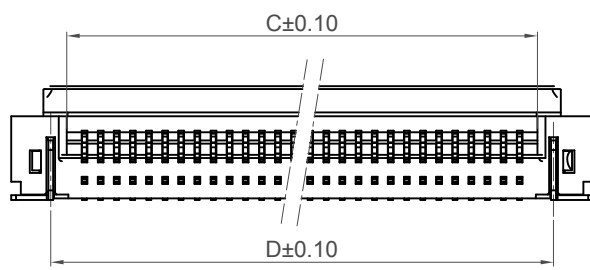


H
G
F
E
D
C
B
A

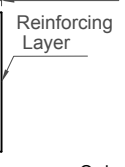
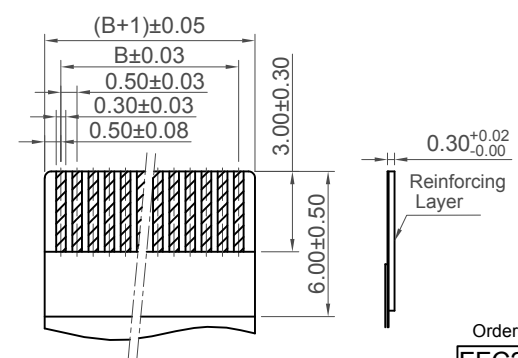
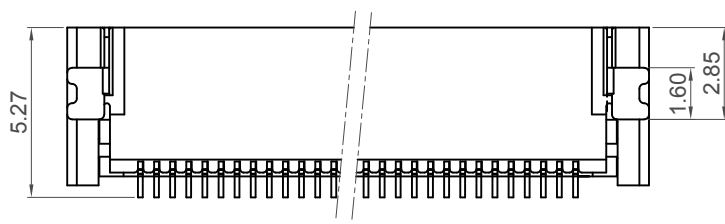


Recommended PCB Layout
General Tolerance ±0.05

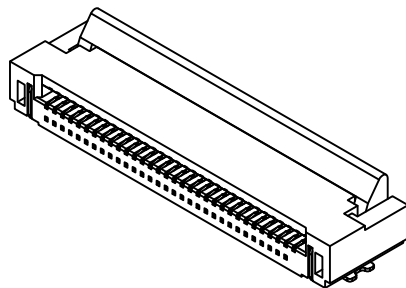
▨ Solder Area □ Component Outline



Solder tails
co-planarity



Recommended FFC/FPC
Dimensions



Specification:

Material:

Housing: LCP, UL 94V-0, Natural
Actuator: LCP, UL 94V-0, Black
Contact: Phosphor Bronze
Fitting Nail: Brass

Plating:

Contact: Gold Flash over Nickel
Fitting Nail: Matte Tin Plating over Nickel

Electrical:

Voltage Rating (Max.): 50V AC/DC
Current Rating (Max.): 0.4A AC/DC
Dielectric Strength: 250V AC for 1 minute
Insulation Resistance: 50 MΩ Min.
Contact Resistance: 50 mΩ Max.

Mechanical & Environmental

Durability: 20 Cycles
Operating Temperature: -25°C to +85°C
Solder Profile:
Peak Temp 260°C (+0/-5°C) max. (5 seconds)

Ordering Grid

FFC2B29-XX-G Request Samples and Quotation

No. of Contacts
04 - 60
(see dimension table)

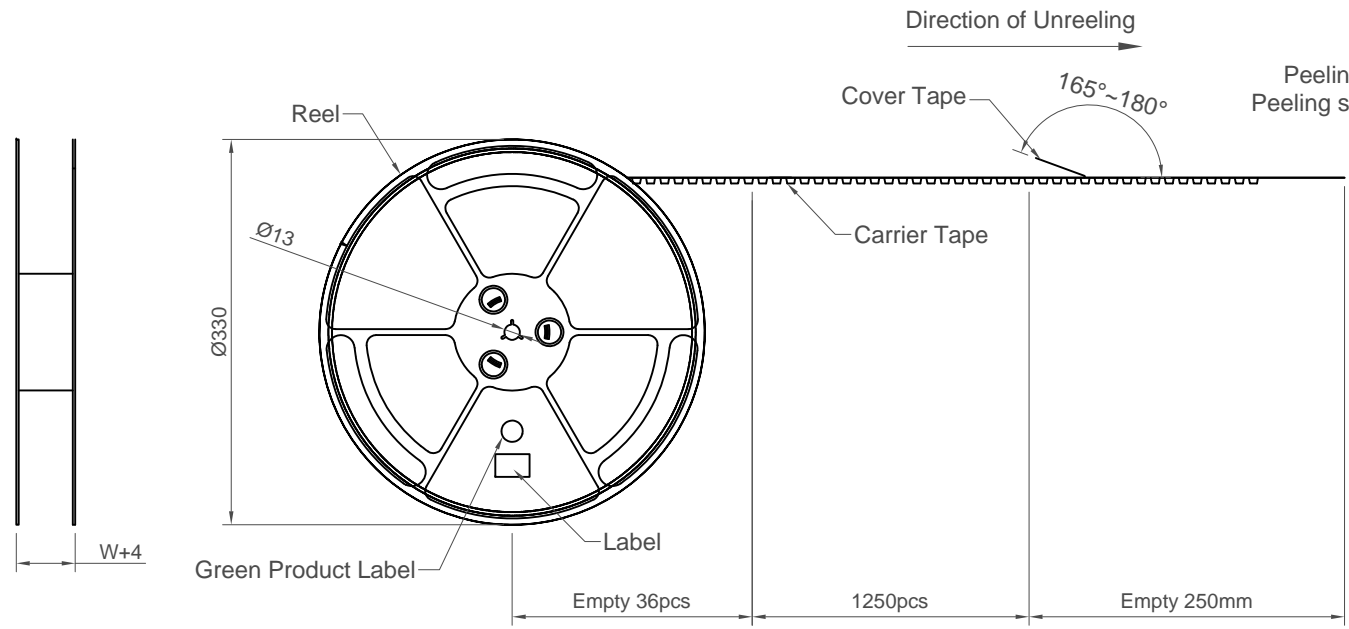
Contact Plating
G = Gold Flash over all

No. of Contacts	Dimensions			
	A	B	C	D
4	6.05	1.50	2.60	3.60
5	6.55	2.00	3.10	4.10
* 6	7.05	2.50	3.60	4.60
7	7.55	3.00	4.10	5.10
* 8	8.05	3.50	4.60	5.60
9	8.55	4.00	5.10	6.10
* 10	9.05	4.50	5.60	6.60
11	9.55	5.00	6.10	7.10
* 12	10.05	5.50	6.60	7.60
13	10.55	6.00	7.10	8.10
14	11.05	6.50	7.60	8.60
15	11.55	7.00	8.10	9.10
16	12.05	7.50	8.60	9.60
17	12.55	8.00	9.10	10.10
18	13.05	8.50	9.60	10.60
19	13.55	9.00	10.10	11.10
* 20	14.05	9.50	10.60	11.60
21	14.55	10.00	11.10	12.10
22	15.05	10.50	11.60	12.60
23	15.55	11.00	12.10	13.10
24	16.05	11.50	12.60	13.60
25	16.55	12.00	13.10	14.10
* 26	17.05	12.50	13.60	14.60
27	17.55	13.00	14.10	15.10
28	18.05	13.50	14.60	15.60
29	18.55	14.00	15.10	16.10
* 30	19.05	14.50	15.60	16.60
31	19.55	15.00	16.10	17.10
32	20.05	15.50	16.60	17.60
33	20.55	16.00	17.10	18.10
34	21.05	16.50	17.60	18.60
* 35	21.55	17.00	18.10	19.10
* 36	22.05	17.50	18.60	19.60
37	22.55	18.00	19.10	20.10
38	23.05	18.50	19.60	20.60
39	23.55	19.00	20.10	21.10
* 40	24.05	19.50	20.60	21.60
41	24.55	20.00	21.10	22.10
42	25.05	20.50	21.60	22.60
43	25.55	21.00	22.10	23.10
44	26.05	21.50	22.60	23.60
* 45	26.55	22.00	23.10	24.10
46	27.05	22.50	23.60	24.60
47	27.55	23.00	24.10	25.10
48	28.05	23.50	24.60	25.60
49	28.55	24.00	25.10	26.10
* 50	29.05	24.50	25.60	26.60
51	29.55	25.00	26.10	27.10
52	30.05	25.50	26.60	27.60
53	30.55	26.00	27.10	28.10
* 54	31.05	26.50	27.60	28.60
55	31.55	27.00	28.10	29.10
56	32.05	27.50	28.60	29.60
57	32.55	28.00	29.10	30.10
58	33.05	28.50	29.60	30.60
59	33.55	29.00	30.10	31.10
* 60	34.05	29.50	30.60	31.60

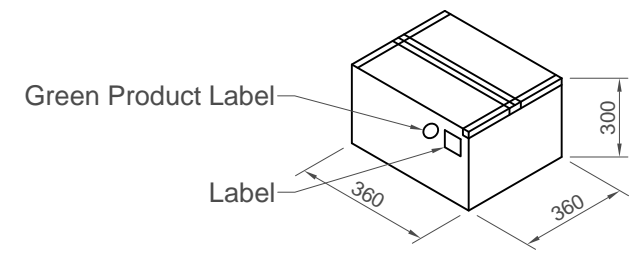
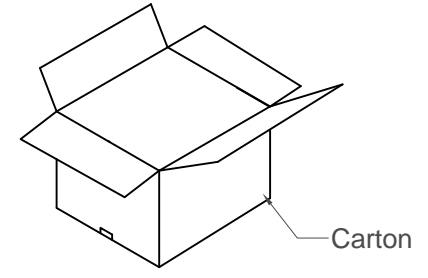
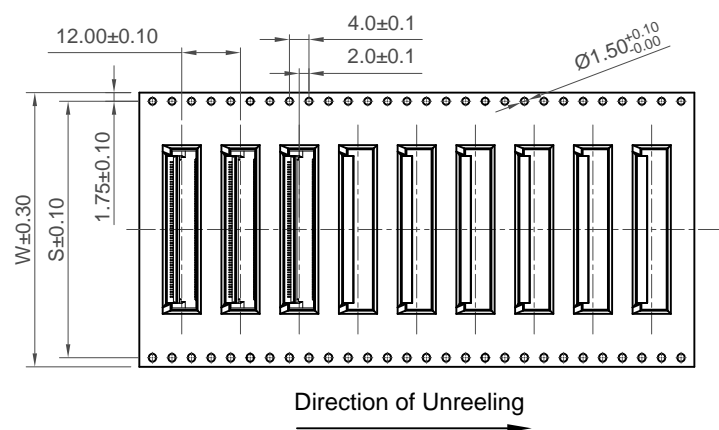
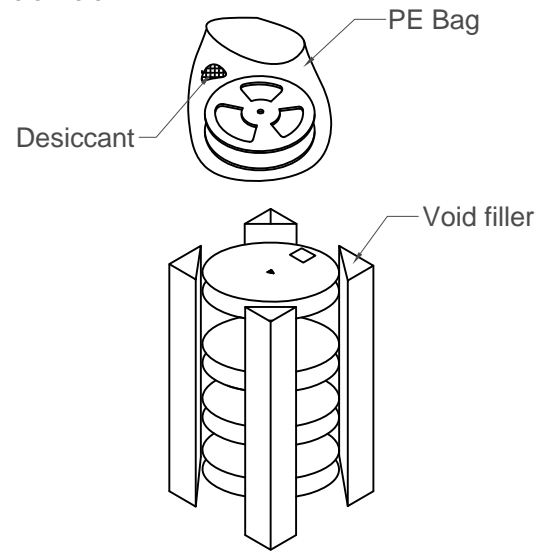
* = Toolled Parts
Please contact GCT for non-tooled parts

Part Number FFC2B29		Product Description FPC 0.5mm Pitch Side Entry, Dual Contact, SMT, Height=2.6mm, Back Flip			
Drawing Date 17th January 2020					
By	CC	Tolerances (Except as Noted)		Units:	This drawing is confidential and copyright of Global Connector Technology, Ltd (GCT). This drawing must not be copied or disclosed without written consent. E & OE
Detail	Drawing Release	Length	Angle	Metric (mm)	
Revision	A	X.X ± 0.15	X.X° ± 1°		
Date	17/01/20	X.XX ± 0.10			
		Not to Scale	Drawn By CC	Sheet No. 1/2	

H
G
F
E
D
C
B
A



Peeling angle: 165°~180°
Peeling strength: 0.3 ~ 0.9 N



No. of Contacts	W	S	PCS/Reel	Reel/Carton	PCS/Carton
8 ~ 10	24	N/A	1250	10	12500
24 ~ 30	32	28.4	1250	8	10000
36 ~ 45	44	40.4	1250	6	7500
50 ~ 60	56	52.4	1250	4	5000

Part Number		Product Description	
FFC2B29		FPC 0.5mm Pitch Side Entry, Dual Contact, SMT, Height=2.6mm, Back Flip	
Drawing Date		17th January 2020	
By	CC	Tolerances (Except as Noted)	Units:
Detail	Drawing Release	Length	Metric (mm)
Revision	A	Angle	3rd Angle Projection
Date	17/01/20		



This drawing is confidential and copyright of Global Connector Technology, Ltd (GCT). This drawing must not be copied or disclosed without written consent. E & OE



Not to Scale	Drawn By CC	Sheet No. 2/2
--------------	----------------	------------------

1 2 3 4 5 6 7 8