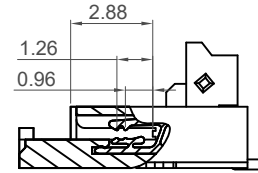
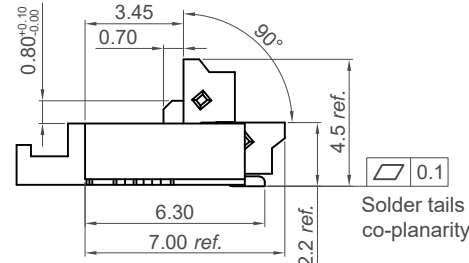
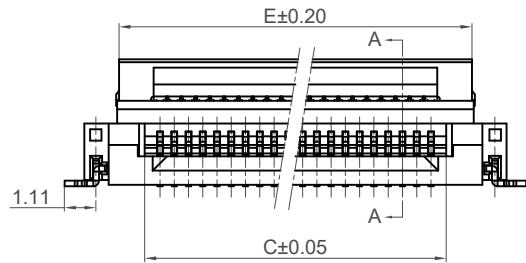
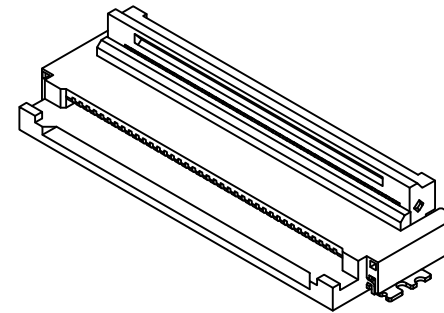


Recommended PCB Layout
 General Tolerance ± 0.05
 ▨ Solder Area □ Component Outline



Section A-A

Specification:

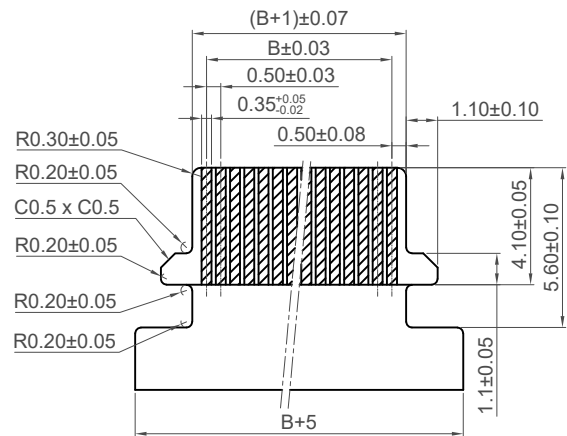
Material:
 Housing: LCP, UL 94V-0, Natural
 Actuator: LCP, UL 94V-0, Black
 Contact: Phosphor Bronze
 Fitting Nail: Brass

Plating:
 Contact: Gold Flash over Nickel
 Fitting Nail: Matte Tin Plating over Nickel

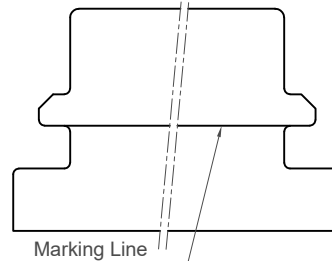
Electrical:
 Voltage Rating (Max.): 50V AC/DC
 Current Rating (Max.): 0.4A AC/DC
 Dielectric Strength: 250V AC for 1 minute
 Insulation Resistance: 50 MΩ Min.
 Contact Resistance: 50 mΩ Max.

Mechanical & Environmental
 Durability: 20 Cycles
 Operating Temperature: -40°C to +105°C
 Solder Profile:
 Peak Temp 260°C (+0/-5°C) max. (5 seconds)

Ordering Grid
FFC2C05-XX-G Request Samples and Quotation
 No. of Contacts: 04 - 68
 Contact Plating: G = Gold Flash over all
 (see dimension table)



Recommended FFC/FPC Dimensions



Marking Line

No. of Contacts	Dimensions				
	A	B	C	D	E
4	8.20	1.50	2.57	6.80	4.37
5	8.70	2.00	3.07	7.30	4.87
6	9.20	2.50	3.57	7.80	5.37
7	9.70	3.00	4.07	8.30	5.87
8	10.20	3.50	4.57	8.80	6.37
9	10.70	4.00	5.07	9.30	6.87
10	11.20	4.50	5.57	9.80	7.37
11	11.70	5.00	6.07	10.30	7.87
12	12.20	5.50	6.57	10.80	8.37
13	12.70	6.00	7.07	11.30	8.87
* 14	13.20	6.50	7.57	11.80	9.37
15	13.70	7.00	8.07	12.30	9.87
* 16	14.20	7.50	8.57	12.80	10.37
17	14.70	8.00	9.07	13.30	10.87
18	15.20	8.50	9.57	13.80	11.37
19	15.70	9.00	10.07	14.30	11.87
20	16.20	9.50	10.57	14.80	12.37
* 21	16.70	10.00	11.07	15.30	12.87
22	17.20	10.50	11.57	15.80	13.37
23	17.70	11.00	12.07	16.30	13.87
24	18.20	11.50	12.57	16.80	14.37
25	18.70	12.00	13.07	17.30	14.87
26	19.20	12.50	13.57	17.80	15.37
27	19.70	13.00	14.07	18.30	15.87
28	20.20	13.50	14.57	18.80	16.37
29	20.70	14.00	15.07	19.30	16.87
30	21.20	14.50	15.57	19.80	17.37
31	21.70	15.00	16.07	20.30	17.87
32	22.20	15.50	16.57	20.80	18.37
33	22.70	16.00	17.07	21.30	18.87
34	23.20	16.50	17.57	21.80	19.37
35	23.70	17.00	18.07	22.30	19.87
36	24.20	17.50	18.57	22.80	20.37
37	24.70	18.00	19.07	23.30	20.87
38	25.20	18.50	19.57	23.80	21.37
39	25.70	19.00	20.07	24.30	21.87
40	26.20	19.50	20.57	24.80	22.37
* 41	26.70	20.00	21.07	25.30	22.87
42	27.20	20.50	21.57	25.80	23.37
43	27.70	21.00	22.07	26.30	23.87
44	28.20	21.50	22.57	26.80	24.37
45	28.70	22.00	23.07	27.30	24.87
* 46	29.20	22.50	23.57	27.80	25.37
47	29.70	23.00	24.07	28.30	25.87
48	30.20	23.50	24.57	28.80	26.37
49	30.70	24.00	25.07	29.30	26.87
* 50	31.20	24.50	25.57	29.80	27.37
51	31.70	25.00	26.07	30.30	27.87
52	32.20	25.50	26.57	30.80	28.37
53	32.70	26.00	27.07	31.30	28.87
54	33.20	26.50	27.57	31.80	29.37
55	33.70	27.00	28.07	32.30	29.87
56	34.20	27.50	28.57	32.80	30.37
57	34.70	28.00	29.07	33.30	30.87
58	35.20	28.50	29.57	33.80	31.37
59	35.70	29.00	30.07	34.30	31.87
* 60	36.20	29.50	30.57	34.80	32.37
61	36.70	30.00	31.07	35.30	32.87
62	37.20	30.50	31.57	35.80	33.37
63	37.70	31.00	32.07	36.30	33.87
64	38.20	31.50	32.57	36.80	34.37
65	38.70	32.00	33.07	37.30	34.87
66	39.20	32.50	33.57	37.80	35.37
67	39.70	33.00	34.07	38.30	35.87
* 68	40.20	33.50	34.57	38.80	36.37

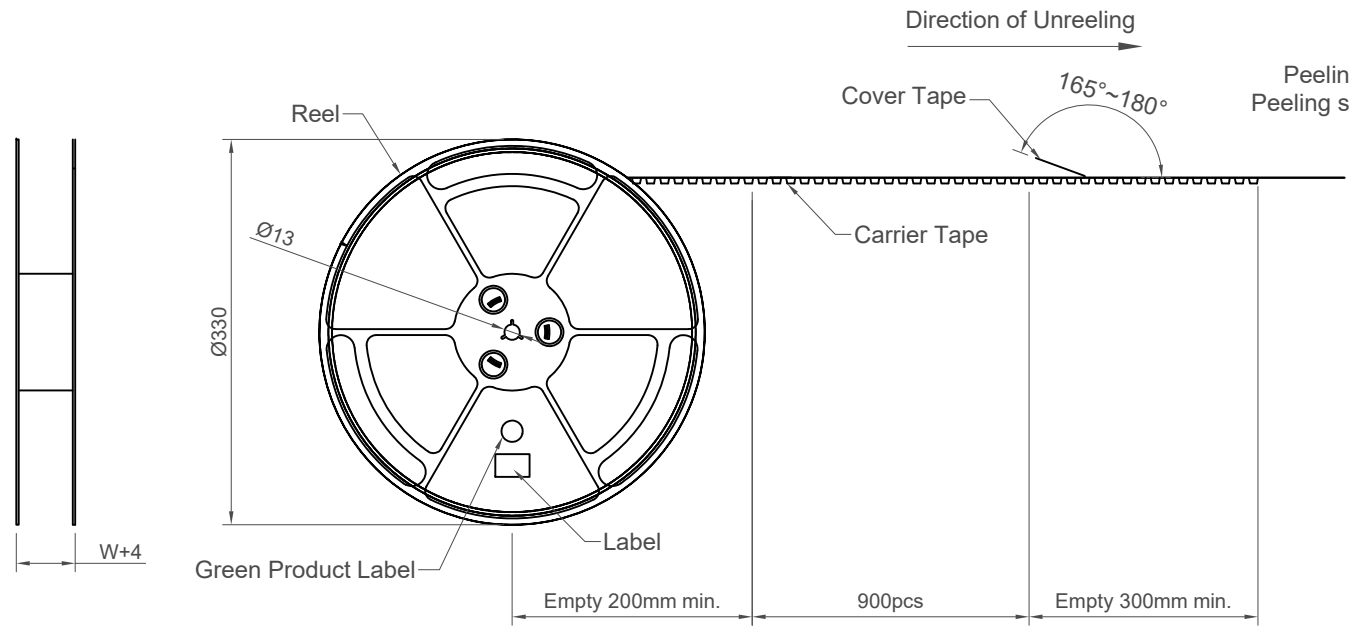
* = Tooled Parts
 Please contact GCT for non-tooled parts

Part Number		Product Description	
FFC2C05		FPC 0.5mm Pitch Side Entry, Dual Contact, SMT, Height=2.2mm, Back Flip, With Ear Lock	
Drawing Date		17th January 2020	
By	CC	Tolerances (Except as Noted)	Units:
Detail	Drawing Release	Length	Metric (mm)
Revision	A2	Angle	RoHS COMPLIANT 2011/65/EU
Date	03/07/23	X.X ± 0.25 X.XX ± 0.20	X.° ± 1°
		3rd Angle Projection	
		This drawing is confidential and copyright of Global Connector Technology, Ltd (GCT). This drawing must not be copied or disclosed without written consent. E & OE	

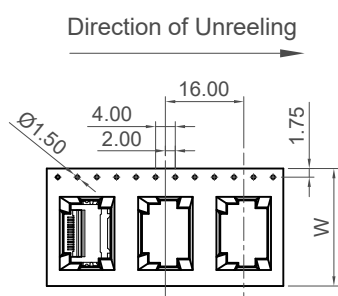
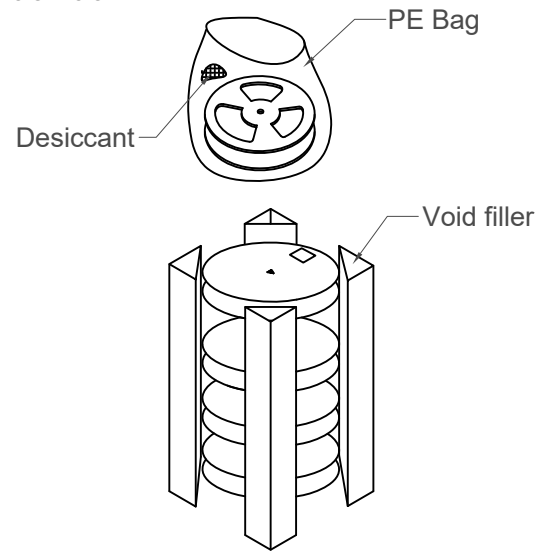


Not to Scale	Drawn By CC	Sheet No. 1/2
--------------	-------------	---------------

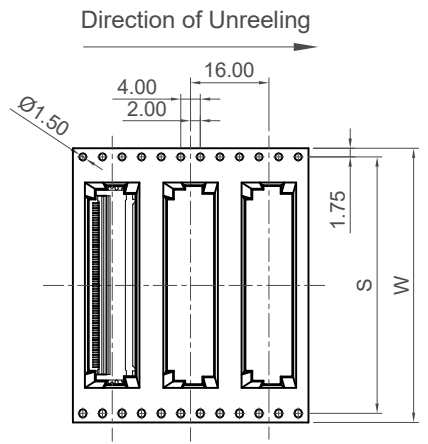
H
G
F
E
D
C
B
A



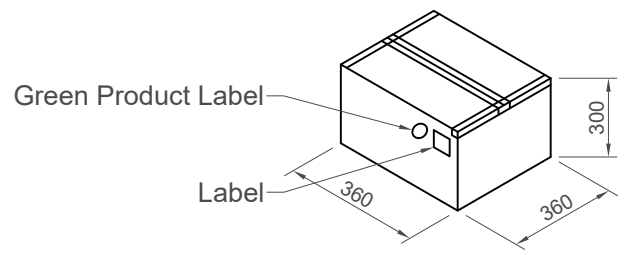
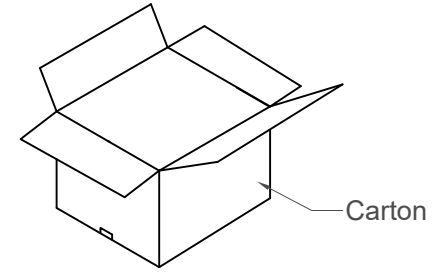
Peeling angle: 165°~180°
Peeling strength: 0.3 ~ 0.9 N



24mm Carrier



32mm,44mm&56mm Carrier



No. of Contacts	W	S	PCS/Reel	Reel/Carton	PCS/Carton
14,16	24	N/A	900	10	9000
21	32	28.4	900	8	7200
41,46,50	44	40.4	900	6	5400
60,68	56	52.4	900	4	3600

Part Number		Product Description	
FFC2C05		FPC 0.5mm Pitch Side Entry, Dual Contact, SMT, Height=2.2mm, Back Flip, With Ear Lock	
Drawing Date		17th January 2020	
By	CC	Tolerances (Except as Noted)	Units:
Detail	Drawing Release	Length	Angle
Revision	A2	-	-
Date	03/07/23	Metric (mm)	
		3rd Angle Projection	



This drawing is confidential and copyright of Global Connector Technology, Ltd (GCT). This drawing must not be copied or disclosed without written consent. E & OE



Not to Scale	Drawn By CC	Sheet No. 2/2
--------------	----------------	------------------

1 2 3 4 5 6 7 8