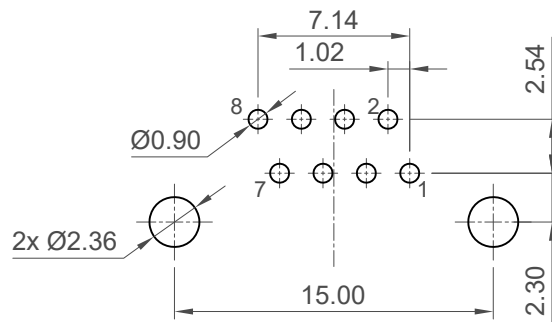
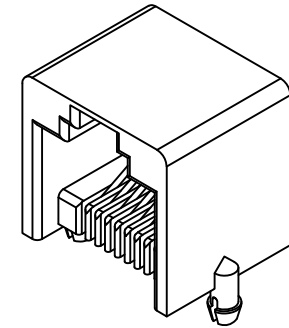


Section A-A



Recommended PCB Layout  
Tolerance : ±0.05mm  
Thickness: 1.60mm



Specifications

Material

Insulator: PBT, UL 94V-0, Yellow  
Contact: Phosphor Bronze, Ø=0.46mm

Plating

See Ordering Grid

Electrical

Current Rating : 1.5 Amp  
Current Voltage : 125V AC RMS  
Contact Resistance : 20 mΩ max.  
Insulation Resistance: 1000 MΩ min. @500V DC  
Dielectric Withstand Voltage :  
1000VAC RMS, Contact to Contact  
@0.5mA 50Hz or 60Hz, 1min.

Mechanical & Environmental

Storage Temperature : -40°C to +85°C,  
Relative Humidity <80%  
Operation Temperature : -40°C to +85°C  
Operating Life : 750 Cycles Min.  
Mating/Unmating Force: 30N Max.  
Retention Strength: 50N for 60s±5s  
Mates With Modular Plug Conforming To FCC Part 68, Subpart F

Wave Soldering Temperature: 245°C ± 5°C, 5s

Ordering Grid

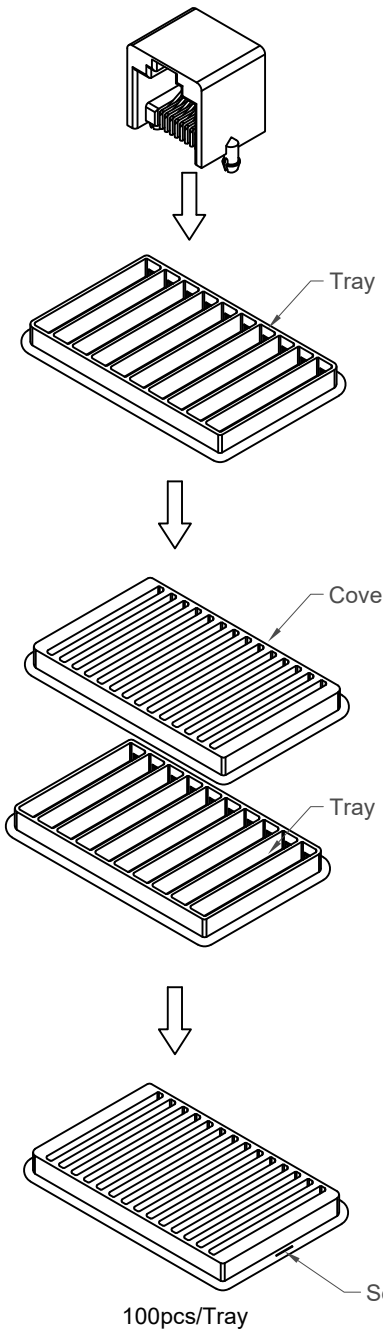
MJ3221 - 88 - 0 Request Samples and Quotation

No. of Positions/  
Positions Loaded  
88 = 8/8

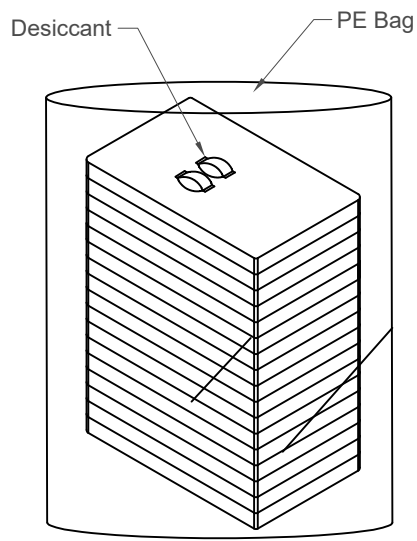
Contact Plating  
0 = Gold Flash

Part Number		Product Description			This drawing is confidential and copyright of Global Connector Technology, Ltd (GCT). This drawing must not be copied or disclosed without written consent. E & OE
MJ3221-88		Modular Jack Connector, 8 Position, Category 3, Right Angle, Through Hole, Standard Profile, Inverted Latch			
Drawing Date		21st June 2021			
By	CC	Tolerances (Except as Noted)	Units:		
Detail	Drawing Release	Length	Metric (mm)		
Revision	A	X.X ± 0.20	± 1°		
Date	21/06/21	X.XX ± 0.15			
Not to Scale	Drawn By	CC	Sheet No.	1/2	

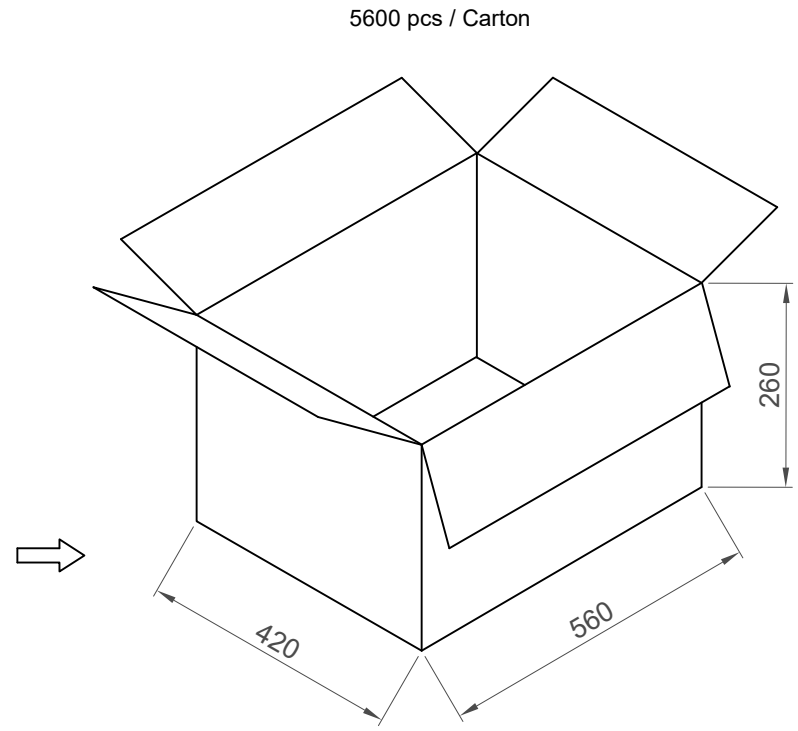




100pcs/Tray



56 Trays / Carton



Pcs/Tray	Trays/Carton	Total Quantity
100	56	5600 pcs

Part Number		Product Description	
MJ3221-88		Modular Jack Connector, 8 Position, Category 3, Right Angle, Through Hole, Standard Profile, Inverted Latch	
Drawing Date		21st June 2021	
By	CC	Tolerances (Except as Noted)	Units:
Detail	Drawing Release	Length	Metric (mm)
Revision	A	Angle	
Date	21/06/21		



This drawing is confidential and copyright of Global Connector Technology, Ltd (GCT). This drawing must not be copied or disclosed without written consent. E & OE



Not to Scale	Drawn By CC	Sheet No. 2/2
--------------	----------------	------------------