

Specifications

Material

Insulator: PBT, UL 94V-0, Black
 Contact: Phosphor Bronze, T=0.35mm
 Shell: Brass, T=0.20mm

Plating

Contact: See Ordering Grid
 Shell: Nickel

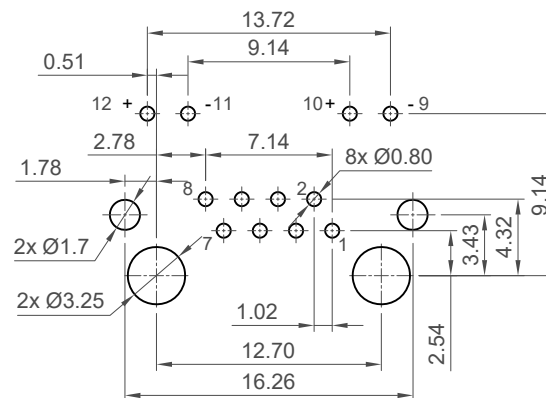
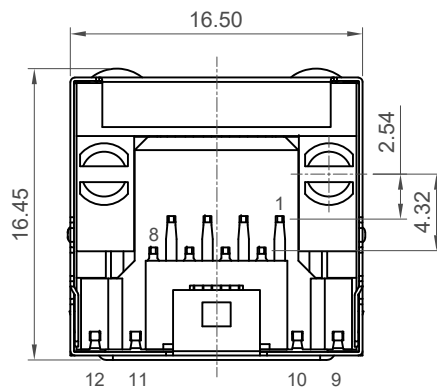
Electrical

Current Rating : 1.5 Amp
 Current Voltage : 150V AC RMS
 Contact Resistance : 20 mΩ max.
 Insulation Resistance: 1000 MΩ min. @500V DC
 Dielectric Withstand Voltage :
 1000V AC/DC Peak Between Terminal to Terminal or
 1500VDC, Terminal To Screen & Test panel
 @0.5mA 60Hz or 50Hz 1 min.

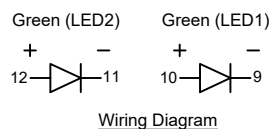
Mechanical & Environmental

Storage Temperature : -40°C to +85°C,
 Relative Humidity <80%
 Operation Temperature : -40°C to +85°C
 Operating Life : 750 Cycles Min.
 Mating/Unmating Force: 30N Max.
 Retention Strength: 50N for 60s±5s
 Mates With Modular Plug Conforming To FCC Part 68, Subpart F

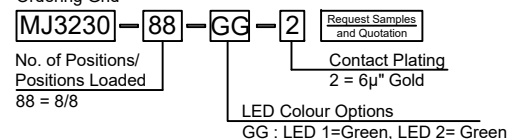
Wave Soldering Temperature: 245°C ± 5°C, 5s



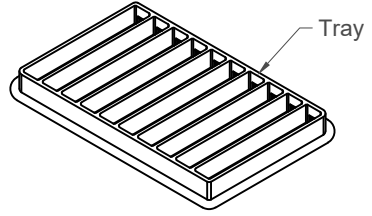
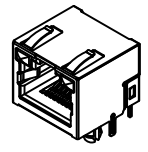
Recommended PCB Layout
 Tolerance : ±0.05mm
 Thickness: 1.60mm



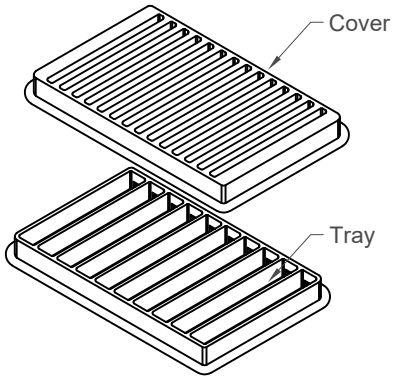
Ordering Grid



Part Number		Product Description			This drawing is confidential and copyright of Global Connector Technology, Ltd (GCT). This drawing must not be copied or disclosed without written consent. E & OE			
MJ3230-88		Modular Jack Connector, 8 Position, Right Angle, Through Hole, With Shell, With LED						
Drawing Date		30th March 2021						
By	CC	Tolerances (Except as Noted)	Units:					
Detail	Drawing Release	Length	Metric (mm)					
Revision	A1	X.XX ± 0.15 X.X ± 0.20	± 0.5°					
Date	09/02/22				<table border="1"> <tr> <td>Not to Scale</td> <td>Drawn By CC</td> <td>Sheet No. 1/2</td> </tr> </table>	Not to Scale	Drawn By CC	Sheet No. 1/2
Not to Scale	Drawn By CC	Sheet No. 1/2						

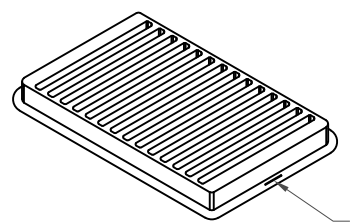


Tray



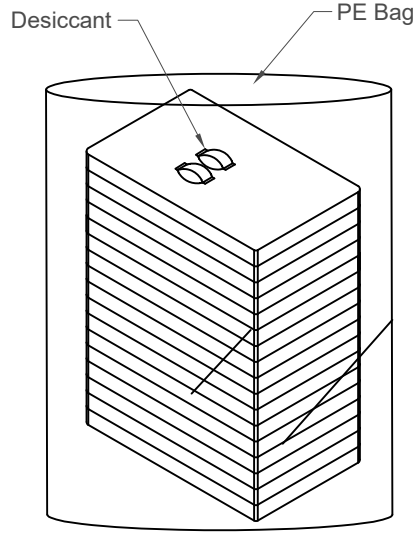
Cover

Tray



60pcs/Tray

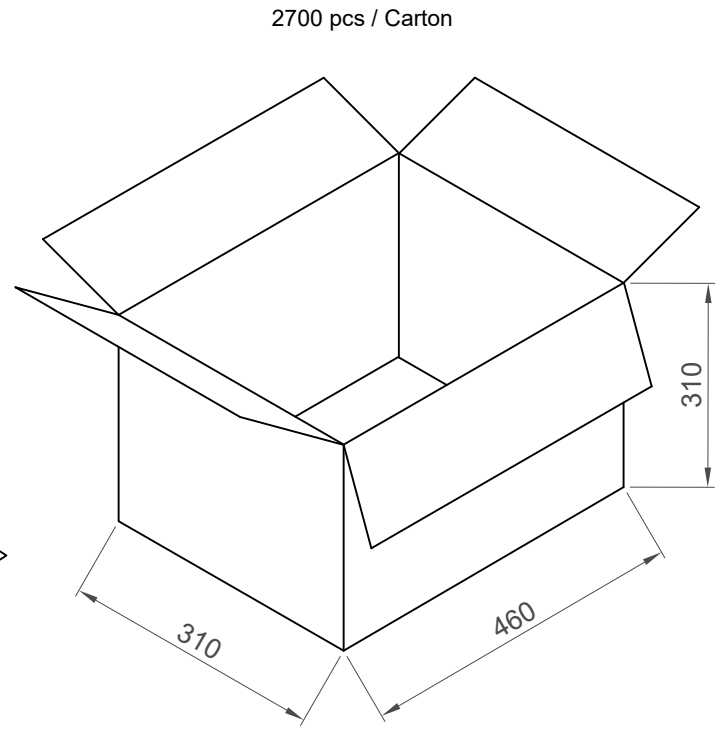
Sealed by staple



Desiccant



PE Bag

45 Trays / Carton



2700 pcs / Carton

Pcs/Tray	Trays/Carton	Total Quantity
60	45	2700 pcs

Part Number		Product Description		 www.gct.co
MJ3230-88		Modular Jack Connector, 8 Position, Right Angle, Through Hole, With Shell, With LED		
Drawing Date		30th March 2021		
By	CC	Tolerances (Except as Noted)	Units:	 This drawing is confidential and copyright of Global Connector Technology, Ltd (GCT). This drawing must not be copied or disclosed without written consent. E & OE
Detail	Drawing Release	Length	Metric (mm)	
Revision	A1	X.XX ± 0.15	± 0.5°	
Date	09/02/22	X.X ± 0.20	3rd Angle Projection	
				Not to Scale
				Drawn By
				CC
				Sheet No.
				2/2