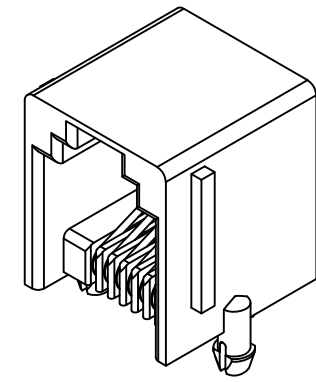
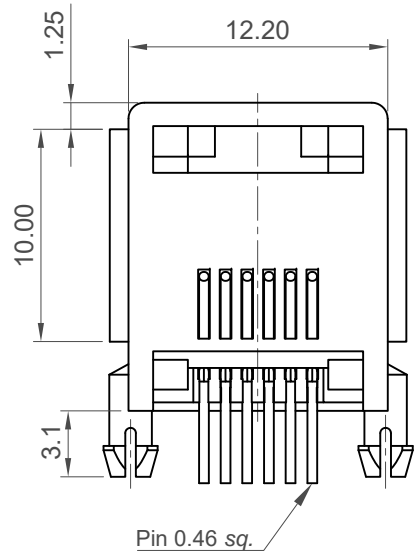


Section: A-A



Specifications

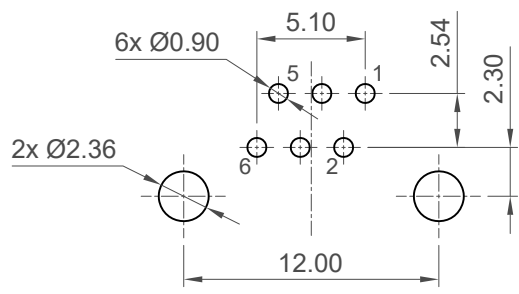
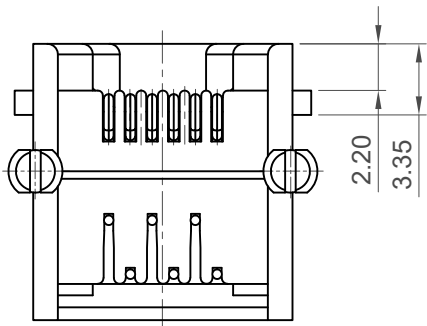
Material
 Insulator: PA66, UL 94V-0, Black
 Contact: Phosphor Bronze, Ø=0.46mm

Plating
 See Ordering Grid

Electrical
 Current Rating : 1.5 Amp
 Current Voltage : 125V AC RMS
 Contact Resistance : 20 mΩ max.
 Insulation Resistance: 1000 MΩ min. @500V DC
 Dielectric Withstand Voltage :
 1000V AC/DC Peak Between Terminal to Terminal

Mechanical & Environmental
 Storage Temperature : -40°C to +85°C,
 Relative Humidity <80%
 Operation Temperature : -40°C to +85°C
 Operating Life : 750 Cycles Min.
 Mating/Unmating Force: 30N Max.
 Retention Strength: 50N for 60s±5s

Wave Soldering Temperature: 245°C ± 5°C, 5s



Recommended PCB Layout
 Tolerance : ±0.05mm
 Thickness: 1.60mm

Ordering Grid
MJ3235 - **66** - **0** Request Samples and Quotation
 No. of Positions/
 Positions Loaded
 66 = 6/6
 Contact Plating
 0 = Gold Flash

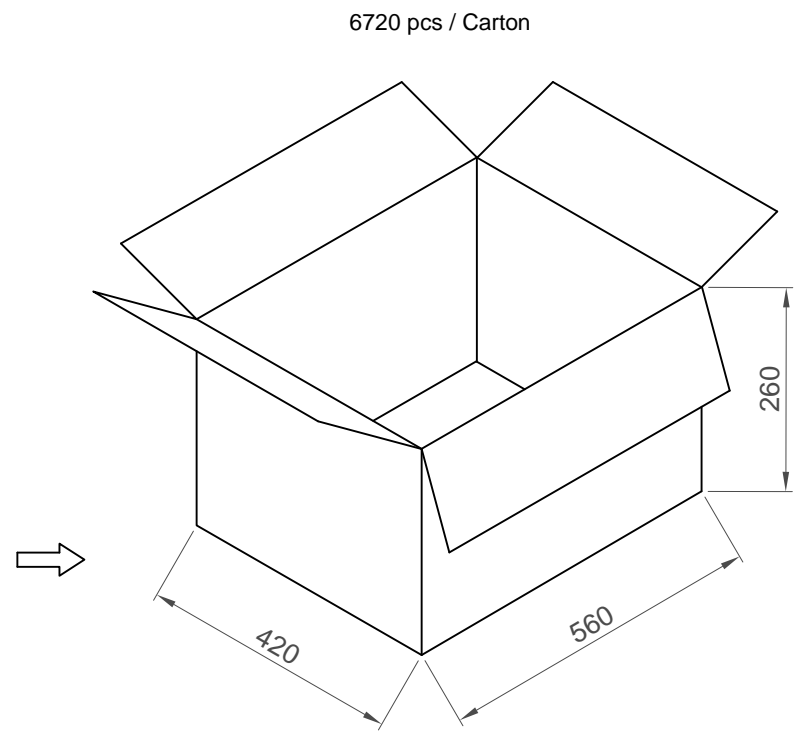
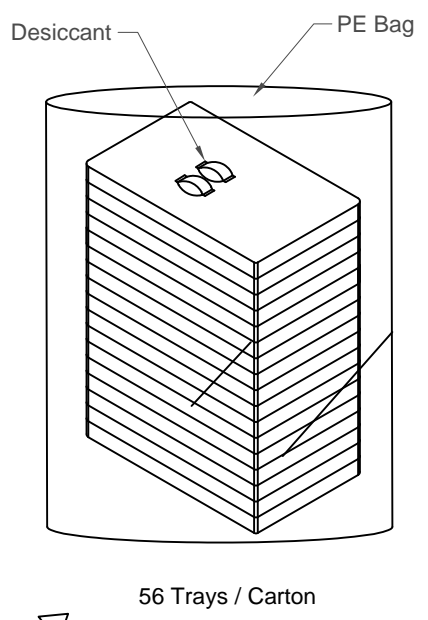
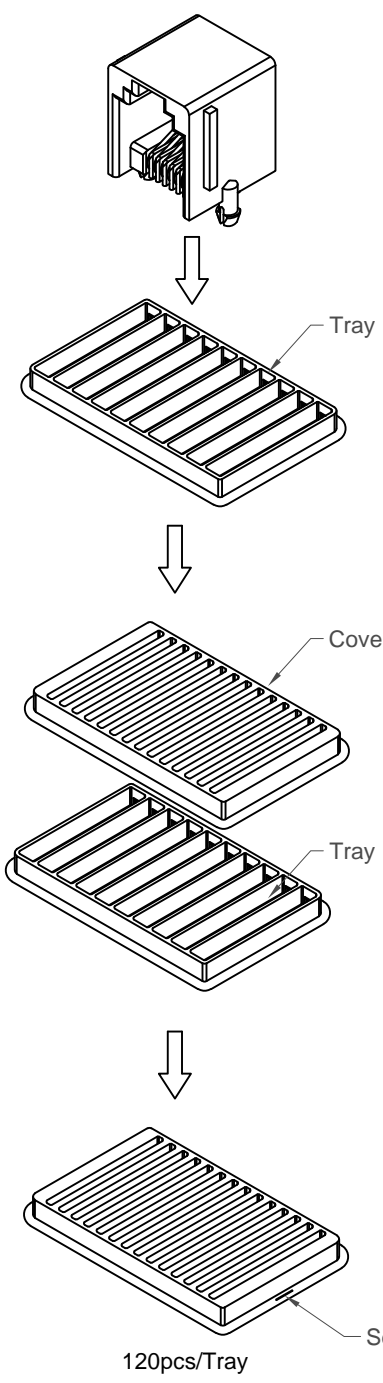
Part Number		Product Description	
MJ3235-66		Modular Jack Connector, 6 Position, Right Angle, Through Hole, Inverted Latch	
Drawing Date		2nd April 2021	
By	CC	Tolerances (Except as Noted)	Units:
Detail	Drawing Release	Length X.X ± 0.25 X.XX ± 0.20 X.XXX ± 0.10	Metric (mm)
Revision	A	Angle ± 0.5°	
Date	02/04/21		3rd Angle Projection






This drawing is confidential and copyright of Global Connector Technology, Ltd (GCT). This drawing must not be copied or disclosed without written consent. E & OE



Not to Scale	Drawn By CC	Sheet No. 1/2
--------------	----------------	------------------



Pcs/Tray	Trays/Carton	Total Quantity
120	56	6720 pcs

Part Number		Product Description		 www.gct.co						
MJ3235-66		Modular Jack Connector, 6 Position, Right Angle, Through Hole, Inverted Latch								
Drawing Date		2nd April 2021								
By	CC	Tolerances (Except as Noted)	Units:	  This drawing is confidential and copyright of Global Connector Technology, Ltd (GCT). This drawing must not be copied or disclosed without written consent. E & OE						
Detail	Drawing Release	Length	Metric (mm)							
Revision	A	X.X ± 0.25	± 0.5°							
Date	02/04/21	X.XX ± 0.20	3rd Angle Projection							
		X.XXX ± 0.10		<table border="1"> <tr> <td>Not to Scale</td> <td>Drawn By</td> <td>Sheet No.</td> </tr> <tr> <td></td> <td>CC</td> <td>2/2</td> </tr> </table>	Not to Scale	Drawn By	Sheet No.		CC	2/2
Not to Scale	Drawn By	Sheet No.								
	CC	2/2								