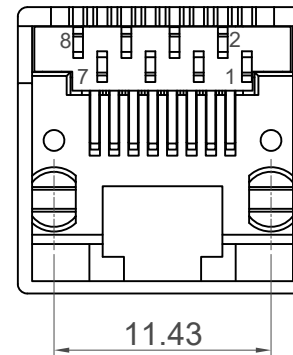
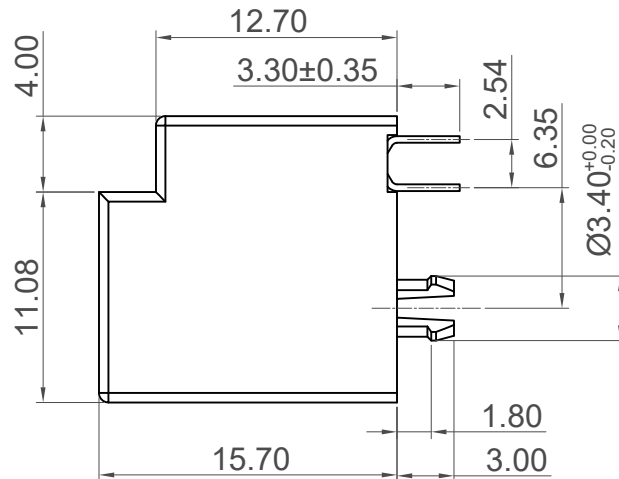
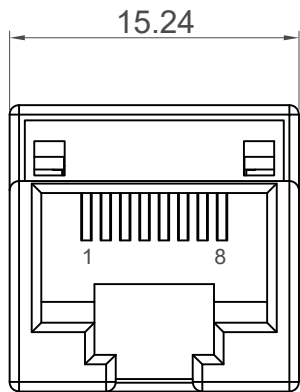
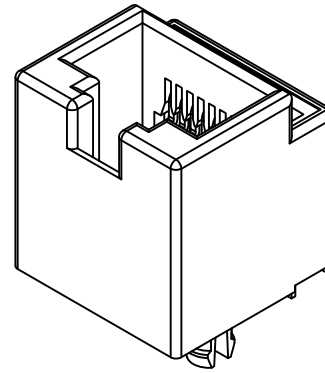


Recommended PCB Layout

Tolerance : ±0.05mm

Thickness: 1.60mm



Specifications

Material

Insulator: PA66, UL 94V-0, Black
Contact: Phosphor Bronze, T=0.35mm

Plating

Contact area: 6u" Gold
Solder tails: 100u" Matte Tin
Underplating: 30u" min. Nickel Over All

Electrical

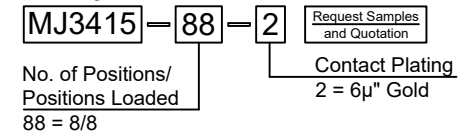
Current Rating : 1.5 Amp
Current Voltage : 125V AC RMS
Contact Resistance : 35 mΩ max.
Insulation Resistance: 1000 MΩ min.@500V DC
Dielectric Withstand Voltage :
1000V AC RMS, 60HZ 1 minute

Mechanical & Environmental

Storage Temperature : -10°C to +40°C,
Relative Humidity <80%
Operation Temperature : -40°C to +85°C
Operating Life : 750 Cycles Min.
Mating/Unmating Force: 30N Max.
Retention Strength: 50N Min.

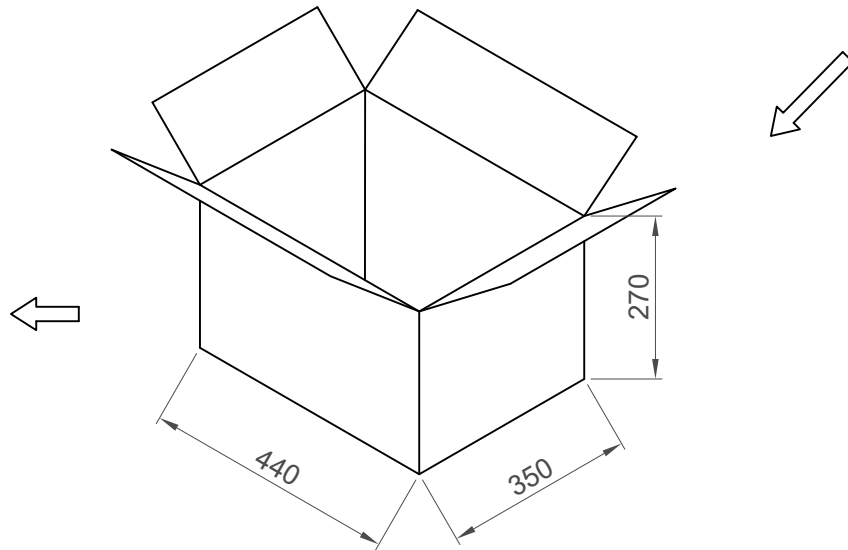
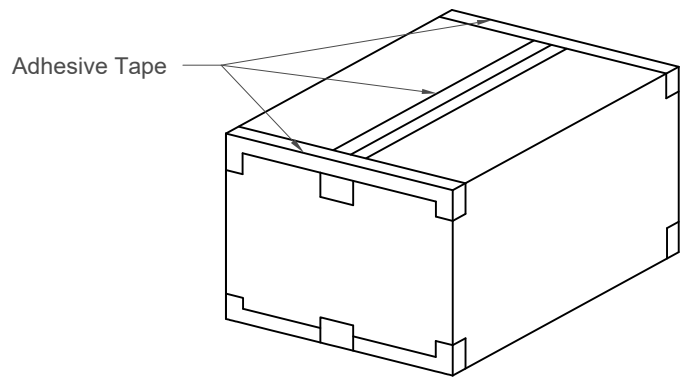
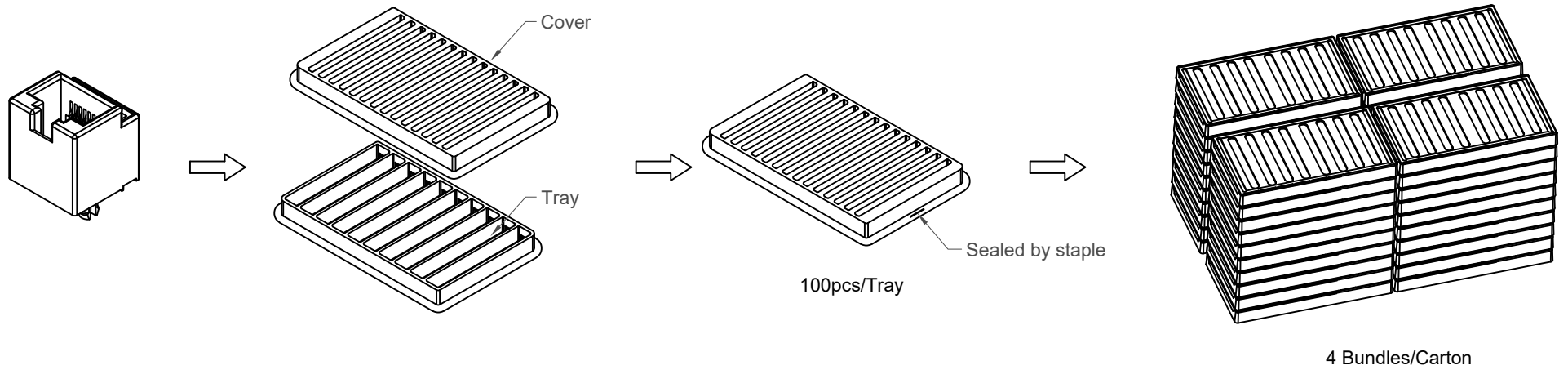
Wave Soldering Temperature: 245°C ± 5°C, 5s

Ordering Grid








Part Number		Product Description	
MJ3415-88		Modular Jack, 8P8C, Vertical, Through Hole	
Drawing Date		26th October 2023	
By	CC	Tolerances (Except as Noted)	Units:
Detail	Drawing Release	Length	Metric (mm)
Revision	A	X.X ± 0.25	RoHS COMPLIANT 2011/65/EU
Date	26/10/23	X.XX ± 0.20	Deca-BDE
		X.XXX ± 0.10	© This drawing is confidential and copyright of Global Connector Technology, Ltd (GCT). This drawing must not be copied or disclosed without written consent. E & OE
		± 0.5°	Not to Scale
		3rd Angle Projection	Drawn By CC





Pcs/Tray	Trays/Carton	Total Quantity
100	40	4000 pcs

Part Number		Product Description		 www.gct.co
MJ3415-88		Modular Jack, 8P8C, Vertical, Through Hole		
Drawing Date		26th October 2023		
By	CC	Tolerances (Except as Noted)	Units:	  This drawing is confidential and copyright of Global Connector Technology, Ltd (GCT). This drawing must not be copied or disclosed without written consent. E & OE
Detail	Drawing Release	Length	Metric (mm)	
Revision	A	Angle	± 0.5°	
Date	26/10/23	X.X ± 0.25	X.XX ± 0.20	
		X.XXX ± 0.10		 3rd Angle Projection
				 Deca-BDE
				Not to Scale Drawn By CC Sheet No. 2/2