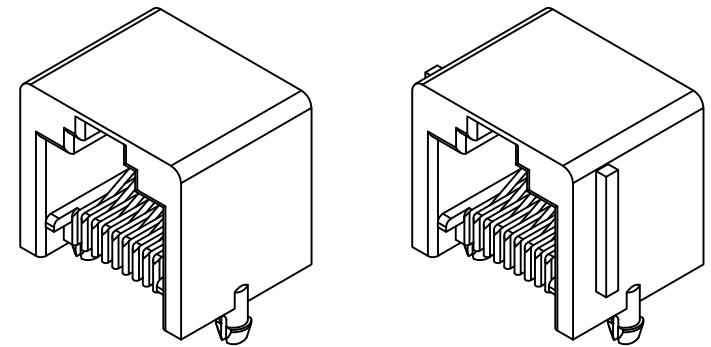


Recommended PCB Layout
 Tolerance : ±0.05mm
 Thickness: 1.60mm



Specifications

Material

Insulator: PBT, UL 94V-0, Black
 Contact: Phosphor Bronze, Ø=0.46mm

Plating

Contact: 6u" Gold All Over
 Underplating: 60u" min. Nickel All Over

Electrical

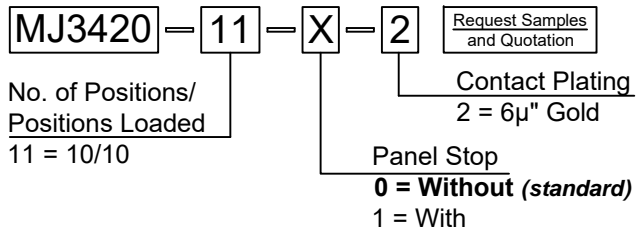
Current Rating : 1.5 Amp
 Current Voltage : 125V AC RMS
 Contact Resistance : 35 mΩ max.
 Insulation Resistance: 1000 MΩ min. @500V DC
 Dielectric Withstand Voltage :
 1000V AC RMS, 60HZ 1 minute

Mechanical & Environmental

Storage Temperature : -10°C to +40°C,
 Relative Humidity <80%
 Operation Temperature : -40°C to +85°C
 Operating Life : 750 Cycles Min.
 Mating/Unmating Force: 30N Max.
 Retention Strength: 50N Min.

Wave Soldering Temperature: 245°C ± 5°C, 5s

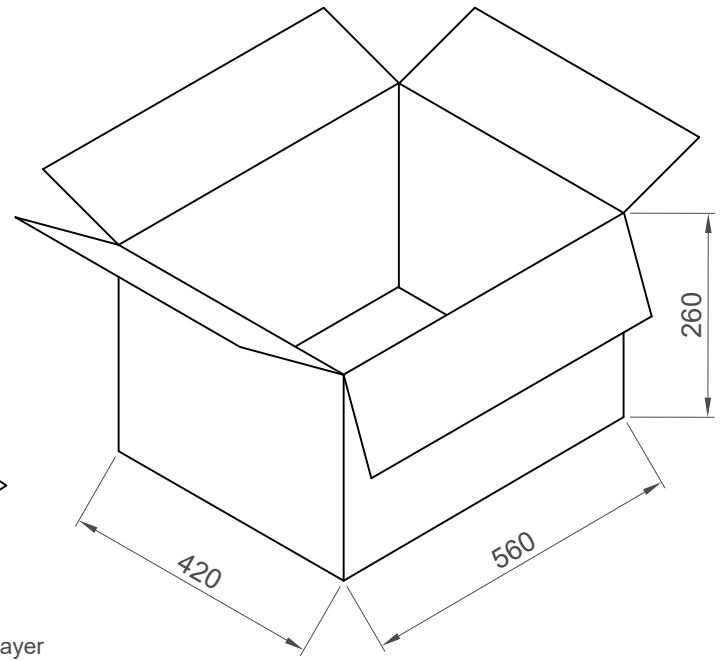
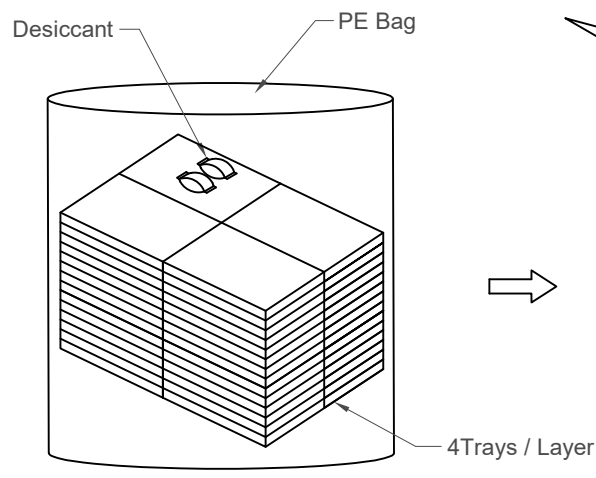
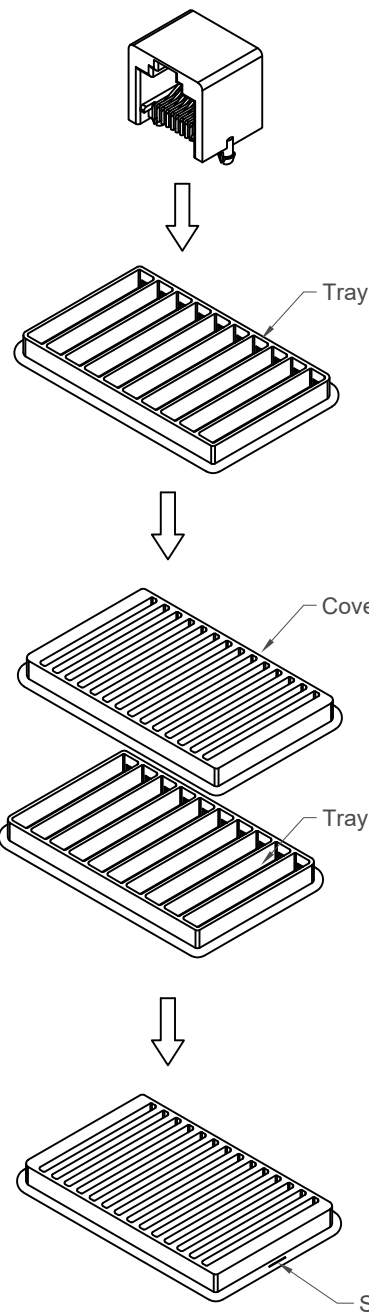
Ordering Grid



Part Number		Product Description	
MJ3420-11		Modular Jack, 10P10C, Horizontal, Through Hole	
Drawing Date		26th October 2023	
By	CC	Tolerances (Except as Noted)	Units:
Detail	Drawing Release	Length	Metric (mm)
Revision	A1	X.X ± 0.25	RoHS COMPLIANT 2011/65/EU
Date	05/01/24	X.XX ± 0.20	Deca-SIDE
		X.XXX ± 0.10	3rd Angle Projection
		± 0.5°	This drawing is confidential and copyright of Global Connector Technology, Ltd (GCT). This drawing must not be copied or disclosed without written consent. E & OE



Not to Scale	Drawn By CC	Sheet No. 1/2
--------------	-------------	---------------



Part Number	Pcs/Tray	Trays/Carton	Total Quantity
MJ3420-11-0-2	100	56	5600 pcs
MJ3420-11-1-2	90	56	5040 pcs

Part Number		Product Description	
MJ3420-11		Modular Jack, 10P10C, Horizontal, Through Hole	
Drawing Date		26th October 2023	
By	CC	Tolerances (Except as Noted)	Units:
Detail	Drawing Release	Length X.X ± 0.25	Metric (mm)
Revision	A1	Angle X.XX ± 0.20	RoHS COMPLIANT 2011/65/UEU
Date	05/01/24	± 0.5°	Deca-SIDE
		3rd Angle Projection	This drawing is confidential and copyright of Global Connector Technology, Ltd (GCT). This drawing must not be copied or disclosed without written consent. E & OE

GCT
www.gct.co

Not to Scale Drawn By CC Sheet No. 2/2