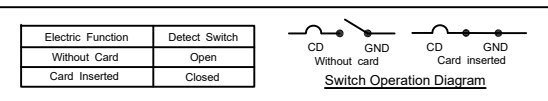
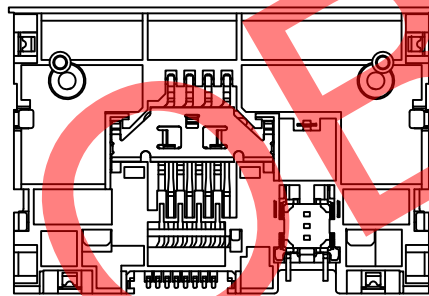
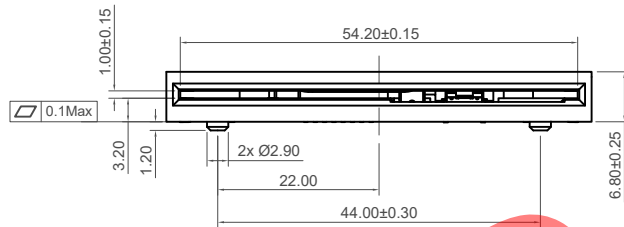


Recommended PCB Layout

Viewed from component side, General Tol: ±0.05

■ Solder Area ■ Keep Out Area □ Component Outline



Ordering Grid

SCC055 - L - 8 - 1 - S - B

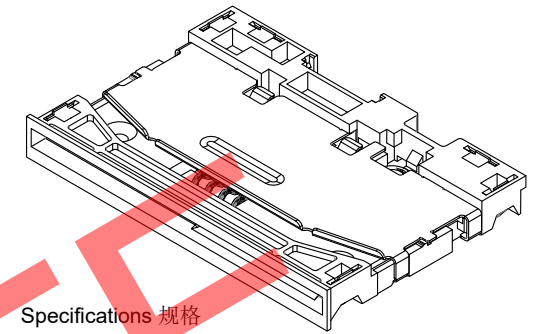
Contact Type
L = Landed

No. of Contacts
8 = 8 Contacts

Switch
1 = Sealed switch, normally open

Packing
B = Tray
(36pcs per tray)

Shielding
S = Shielded



Specifications 规格

Material 物料

- Plastic Housing 塑胶外壳: LCP, UL94V-0, Black
- Contact Terminal 接触端子: Copper Alloy
- Metallic Shell 金属外壳: Stainless Steel, SUS304
- Switch Button 开关压片: Stainless Steel
- Hinge 铰链: Stainless Steel
- Grounding Tag 接地片: Brass

Plating 电镀

- Under-plating 底层电镀: 30µm min. Nickel all over
- Data Contact 数据端子: Contact Area 接触区: 15µm Gold; Solder Area 焊接区: 100µm min. Tin
- Switch Contact 开关接触: Contact Area 接触区: 10µm min. Silver; Solder Area 焊接区: 100µm min. Tin
- Grounding Tag 接地片: 100µm min. Tin all over

Electrical 电气

- Voltage rating 电压额定值: 30V max.
- Current Rating 电流额定值: 1 Amp
- Contact Resistance 接触电阻值: 100 mΩ max.
- Insulation Resistance 绝缘电阻值: 1000 MΩ min.
- Dielectric Withstand Voltage 耐电压: 500 V AC

Mechanical & Environmental 机械 & 环境

- Solderability 可焊性: IR Reflow 回流焊: 250°C for 5 sec. max.; Manual Solder 人工焊接: 370°C for 3 sec. max.

- Operating Temperature 工作温度: -40°C to +85°C
- Durability 耐久性: 500,000 cycles

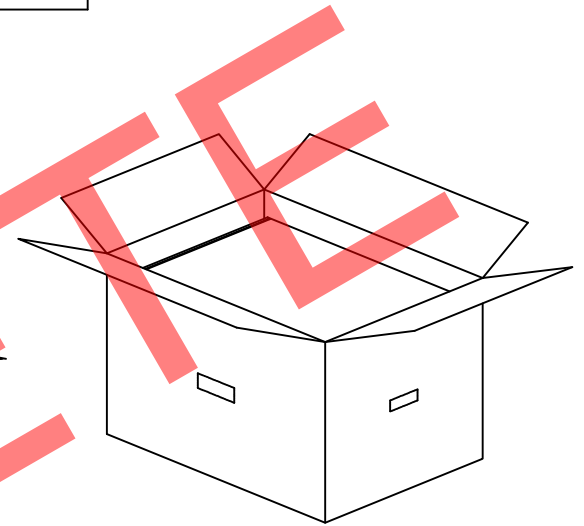
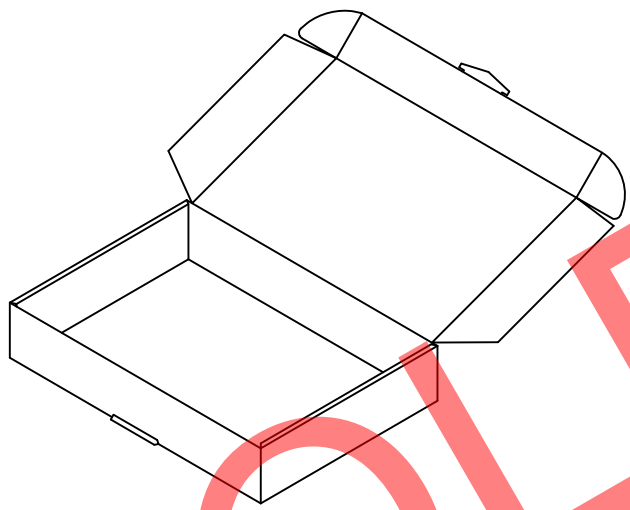
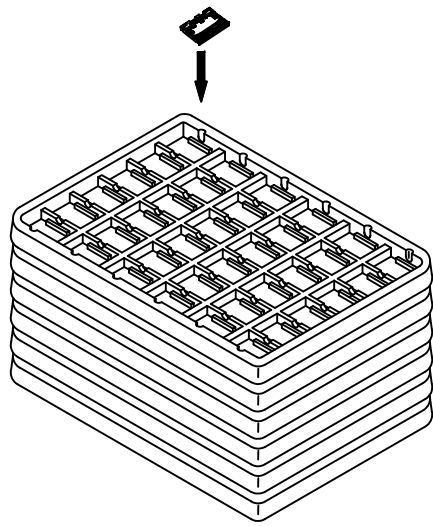
Part Number		Product Description	
SCC055		Smart Card Connector - Landed Contact, 8 Contact, SMT, Standard Mount, with Normally Open Sealed Switch	
Drawing Date		20th August 2015	
By	AJO	Tolerances (Except as Noted)	Units: Metric (mm)
Detail	Drawing Release	Length: X. ± 0.35 X.X ± 0.25 X.XX ± 0.15 X.XXX ± 0.10	Angle: X° ± 5° X.X° ± 4° X.XX° ± 3° X.XXX° ± 2°
Revision	A	3rd Angle Projection	
Date	20/08/15	RoHS COMPLIANT 2011/65/EU Deca-BDE	

This drawing is confidential and copyright of Global Connector Technology, Ltd (GCT). This drawing must not be copied or disclosed without written consent. E & OE



Not to Scale	Drawn By AJO	Sheet No. 1/2
--------------	--------------	---------------

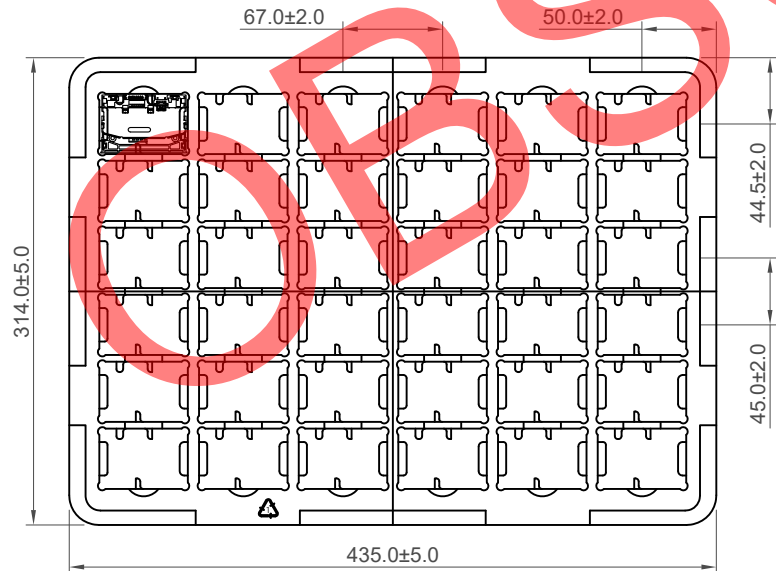
Part Number	Pcs/Tray	Trays/Carton	Cartons/Box	Pcs/Box
SCC055	36	7 (+1 empty)	5	1260



36pcs per tray
Tray : 43.50cm L x 31.4cm W x 1.47cm H

252pcs per carton (7 trays set in order plus one cover)
Carton: 46.0cm L x 32.0cm W x 8.80cm H
Net Weight: 2.55kg Gross Weight: 3.20kg

1260pcs per box (5 cartons set in order)
Box: 48.0cm L x 34.6cm W x 46.0cm H
Net Weight: 12.76kg Gross Weight: 16.94kg



Part Number SCC055		Product Description Smart Card Connector - Landed Contact, 8 Contact, SMT, Standard Mount, with Normally Open Sealed Switch			This drawing is confidential and copyright of Global Connector Technology, Ltd (GCT). This drawing must not be copied or disclosed without written consent. E & OE
Drawing Date 20th August 2015					
By AJO	Detail Drawing Release	Tolerances (Except as Noted) Length	Angle	Units: Metric (mm)	
Revision Date	A 20/08/15				
				www.gct.co	Not to Scale Drawn By AJO Sheet No. 2/2