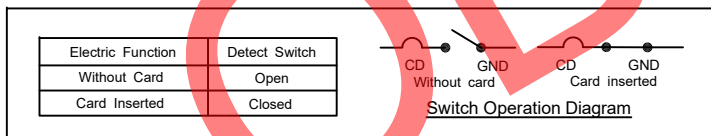
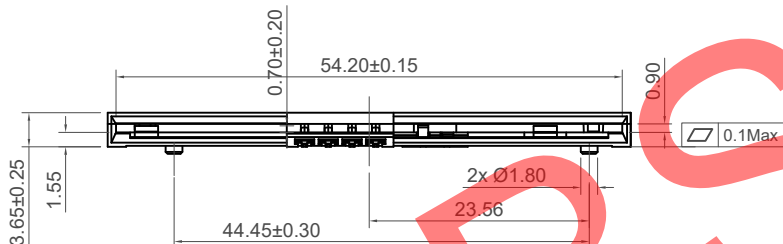


Recommended PCB Layout

Viewed from component side, General Tol: ±0.05

Solder Area
 Keep Out Area
 Component Outline



Ordering Grid

SCC065 - F - 8 - 3 - U - B

Contact Type

F = Friction

No. of Contacts

8 = 8 Contacts

Switch

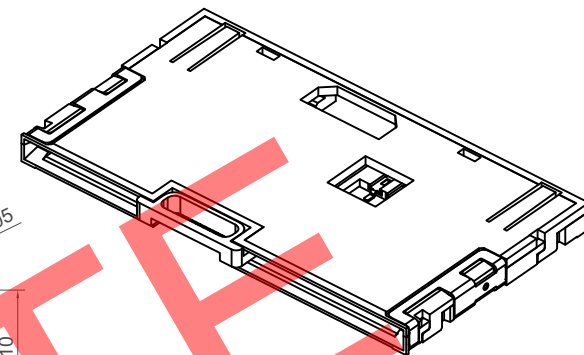
3 = Blade switch, normally open

Packing

B = Tray
(40pcs per tray)

Shielding

U = Unshielded



Specifications 规格

Material 物料

Plastic Housing 塑胶外壳: Hi-Temp Thermoplastic UL94V-0, Black

Housing Clip: Stainless Steel

Contact Terminal 接触端子: Copper Alloy

Switch Contacts 开关端子: Copper Alloy

Plating 电镀

Under-plating 底层电镀: 30µm min. Nickel all over

Data Contact 数据接触:

Contact Area 接触区: 3µm Gold

Solder Area 焊接区: 100µm min. Tin

Switch Contacts 开关接触:

Contact Area 接触区: 3µm Gold

Solder Area 焊接区: 100µm min. Tin

Electrical 电气

Voltage rating 电压额定值: 30V max.

Current Rating 电流额定值: 1 Amp

Contact Resistance 接触电阻值: 100 mΩ max.

Insulation Resistance 绝缘电阻值: 1000 MΩ min.

Dielectric Withstand Voltage 耐电压: 500 V AC

Mechanical & Environmental 机械 & 环境

Solderability 可焊性:

IR Reflow 回流焊: 250°C for 5 sec. max.

Manual Solder 人工焊接: 370°C for 3 sec. max.

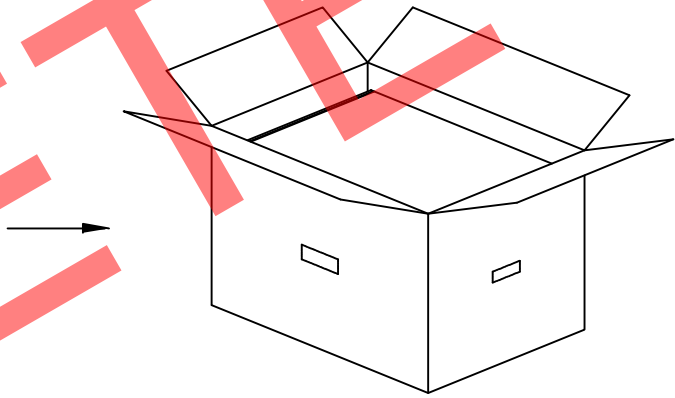
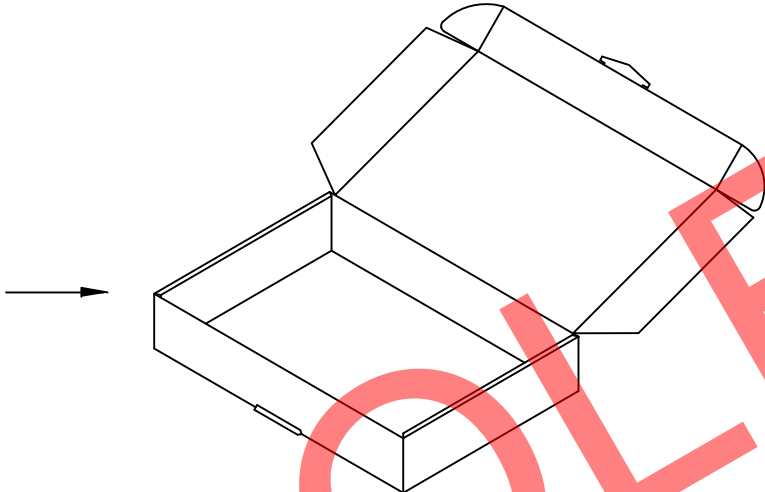
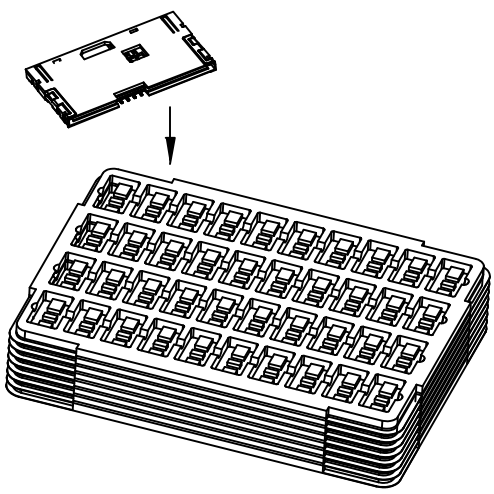
Operating Temperature 工作温度: -40°C to +85°C

Durability 耐久性: 100,000 cycles

Part Number		Product Description				This drawing is confidential and copyright of Global Connector Technology, Ltd (GCT). This drawing must not be copied or disclosed without written consent. E & OE	Not to Scale	Drawn By AJO	Sheet No. 1/2
SCC065		Smart Card Connector - Friction Contact, 8 Contact, SMT, Standard Mount, with Normally Open Switch							
Drawing Date		29th June 2015							
By	AJO	Tolerances (Except as Noted)		Units:					
Detail	Drawing Release	Length	Angle	Metric (mm)					
Revision	A	X. ± 0.35	X° ± 5°						
Date	29/06/15	X.X ± 0.25	X.XX ± 4°						
		X.XX ± 0.15	X.XX° ± 3°						
		X.XXX ± 0.10	X.XXX° ± 2°						



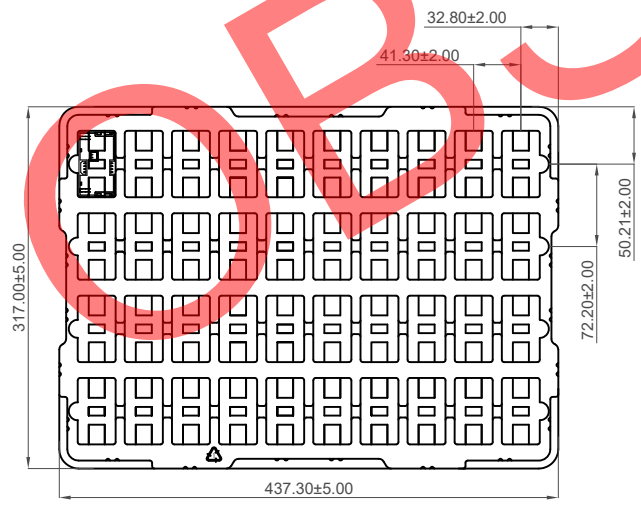
Part Number	Pcs/Tray	Trays/Carton	Cartons/Box	Pcs/Box
SCC065	40	10 (+1 empty)	5	2000



40pcs per tray
 Tray : 44.0cm L x 31.7cm W x 1.3cm H

400pcs per carton (10 trays set in order plus one empty tray)
 Carton: 46.0cm L x 32.0cm W x 8.8cm H
 Net Weight: 2.48kg Gross Weight: 3.35kg

2000pcs per box (5 cartons set in order)
 Box: 48.0cm L x 34.6cm W x 46.0cm H
 Net Weight: 12.42kg Gross Weight: 17.78kg



Part Number SCC065		Product Description Smart Card Connector - Friction Contact, 8 Contact, SMT, Standard Mount, with Normally Open Switch			 www.gct.co	
Drawing Date 29th June 2015						
By AJO	Detail Drawing Release	Tolerances (Except as Noted) Length	Angle	Units: Metric (mm)	This drawing is confidential and copyright of Global Connector Technology, Ltd (GCT). This drawing must not be copied or disclosed without written consent. E & OE	
Revision A	Date 29/06/15			 3rd Angle Projection		
				Not to Scale	Drawn By AJO	Sheet No. 2/2

H
G
F
E
D
C
B
A

1 2 3 4 5 6 7 8