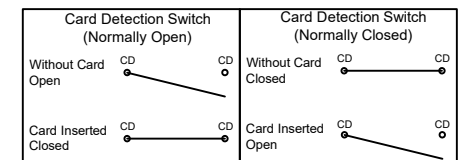


**Recommended PCB Layout**  
Tolerance: ±0.05mm



**Specifications**

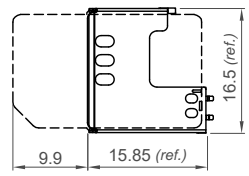
**Material**  
 Plastic Housing: Hi-Temp Thermoplastic UL94V-0, Black  
 Contact and Switch Terminals: Phosphor Bronze  
 Metallic Shell: Stainless Steel

**Plating**  
 Under-Plating: 50µ" Nickel  
 Contact Area: 5µ" Gold  
 Soldering Area: Tin

**Electrical**  
 Voltage Rating: 50V max.  
 Current Rating: 1A max. 10µ A min.  
 Operating Temperature: -40°C to +85°C  
 Contact Resistance: 50mΩ max.  
 Insulating Resistance: >100MΩ/500VDC  
 Dielectric Withstanding Voltage: 500 VAC for 1 min

**Mechanical & Environmental**  
 Durability: 5,000 cycles

- C1 -----> VCC
- C2 -----> RST
- C3 -----> CLK
- C5 -----> GND
- C6 -----> Vpp
- C7 -----> I/O



**Ordering Grid**

**SIM2070** - **6** - **X** - **30** - **00** - **A**

Request Samples and Quotation

No. of Contacts: 6

Packing Options: A = Tape & Reel (700 Pcs per Reel)

Switch: 1 = With - Normally Open (Standard), 0 = With - Normally Closed

Locating Post: 00 = Without

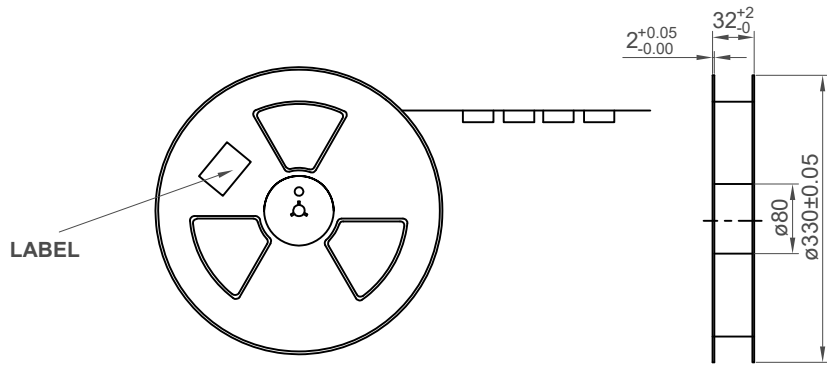
Part Number		Product Description	
SIM2070		SIM Card Connector - 3.44mm Profile	
Drawing Date		Receiver type 6 Pin, SMT, with Card Detect	
5th Dec 2011			
By	CC	Tolerances (Except as Noted)	Units:
Detail	SIM2070	Length	Metric (mm)
	D PCN	Angle	
Revision	D3	X.X ± 0.25	X.° ± 1°
Date	01/07/22	X.XX ± 0.15	X.X° ± 0.5°
		X.XXX ± 0.050	X.XX° ± 0.25°



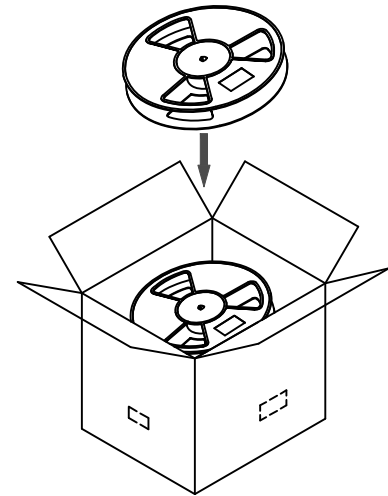
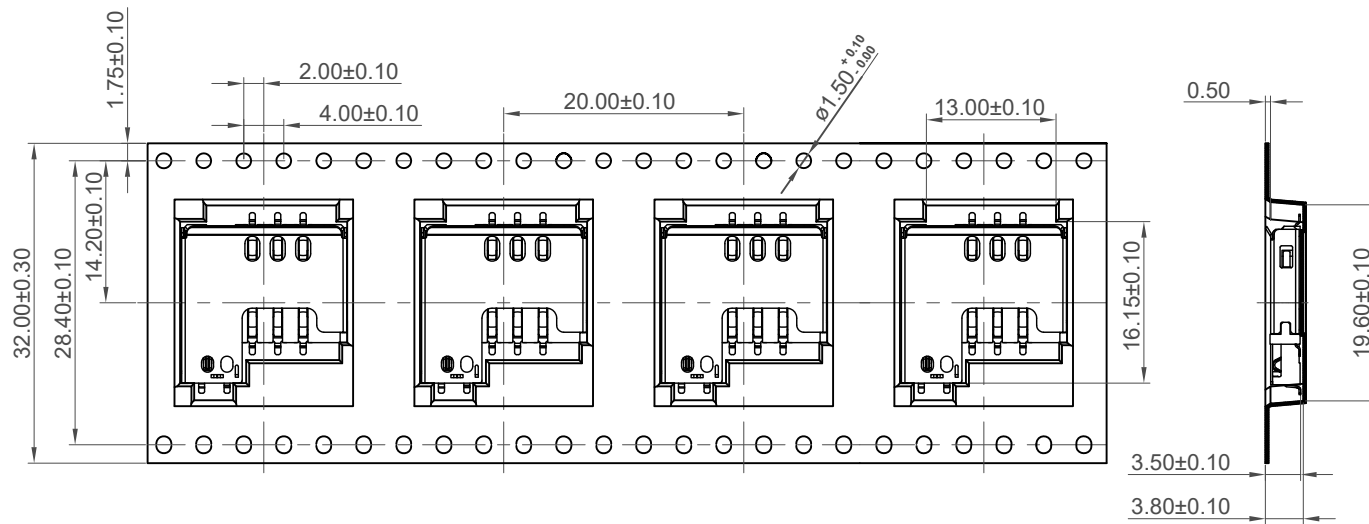
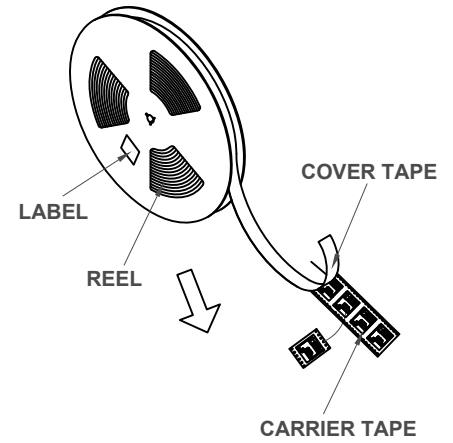
This drawing is confidential and copyright of Global Connector Technology, Ltd (GCT). This drawing must not be copied or disclosed without written consent. E & OE



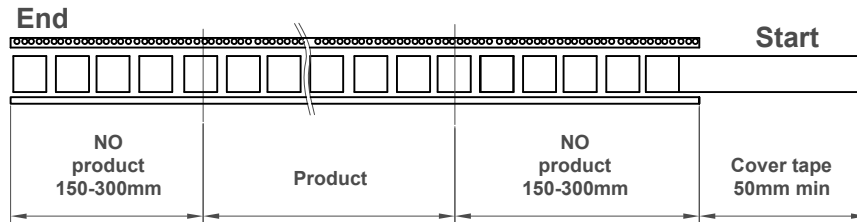
Not to Scale	Drawn By CM	Sheet No. 1/2
--------------	-------------	---------------



Gross Weight: 1.00KGS  
Q'ty: 700 Pcs per Reel



Gross Weight: 8.00KGS  
Quantity: 5600 Pcs per carton (8 Reels set in order)  
Measure: 35.00L x 35.00W x 31.50H cm



Part Number		Product Description	
SIM2070		SIM Card Connector - 3.44mm Profile	
Drawing Date		Receiver type 6 Pin, SMT, with Card Detect	
5th Dec 2011			
By	CC	Tolerances (Except as Noted)	Units:
Detail	SIM2070	Length	Metric (mm)
	D PCN	Angle	
Revision	D3		
Date	01/07/22		



This drawing is confidential and copyright of Global Connector Technology, Ltd (GCT). This drawing must not be copied or disclosed without written consent. E & OE



Not to Scale	Drawn By CM	Sheet No. 2/2
--------------	-------------	---------------

H  
G  
F  
E  
D  
C  
B  
A

1 2 3 4 5 6 7 8