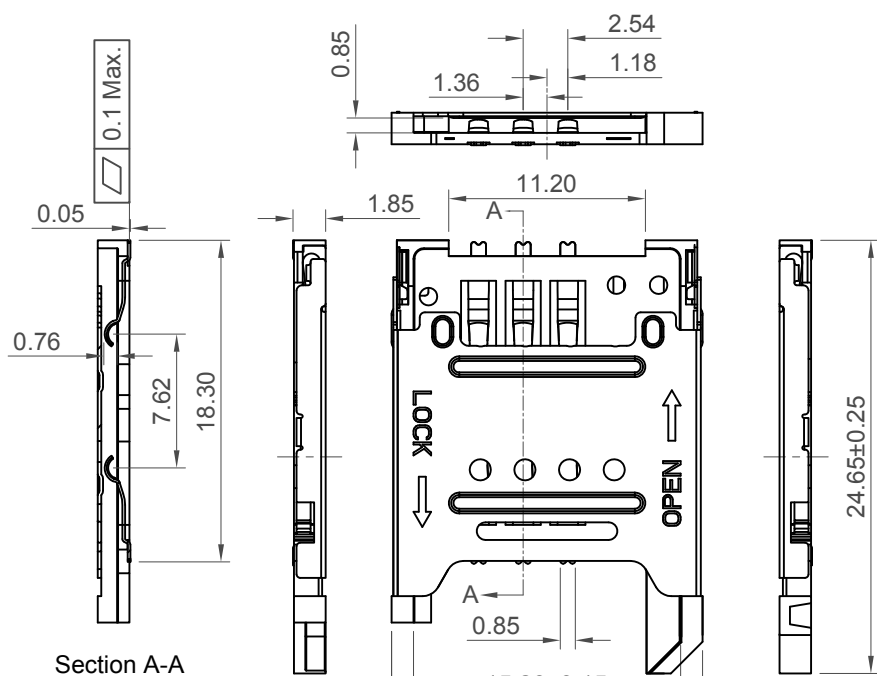
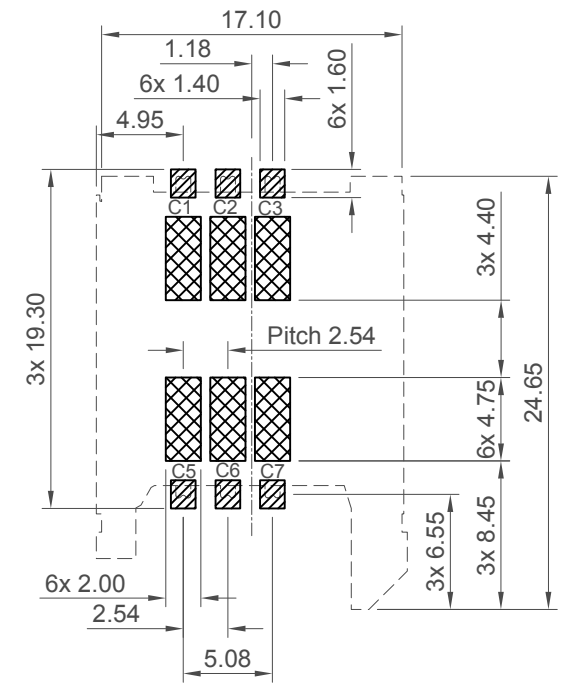


H
G
F
E
D
C
B
A



Section A-A



Recommended PCB Layout
General Tolerance ± 0.05

as viewed from component side

▨ Solder Area ▩ Keep Out Area □ Component Outline

- C1---->VCC
- C2---->RST
- C3---->CLK
- C5---->GND
- C6---->Vpp
- C7---->I/O

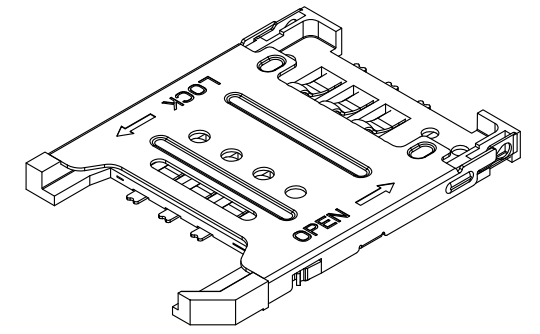
Ordering Grid

SIM5051 - **6** - **0** - **18** - **00** - **A** Request Samples and Quotation

No. of Contacts: 6

Card Detection Switch: 0 = Without

Packing Options:
A = Tape & Reel (700 per Reel)
Locating Post: 00 = Without



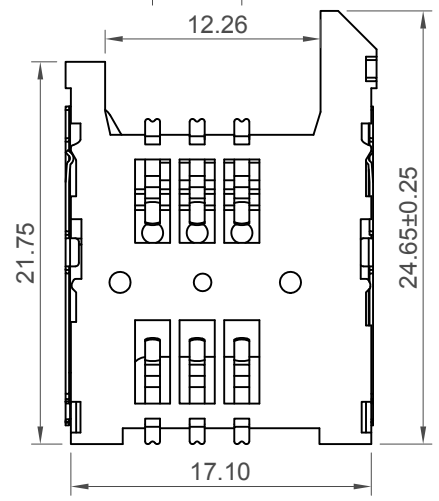
Specification:

Material:
Plastic Housing: Hi-Temp Thermoplastic UL94V-0, E106764 (E130i), Black
Contact Terminal: Phosphor Bronze
Metallic Shell & Hinge : Stainless Steel - SUS304

Plating:
Contact Terminal plating:
Under-plating: 50 μ m Nickel
Contact Area: 3 μ m Gold
Soldering Area: Gold Flash

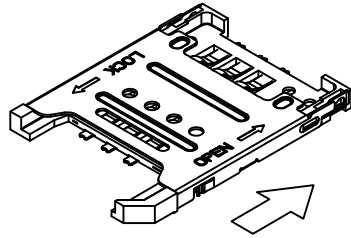
Electrical:
Voltage Rating: 50VAC (R.M.S.) Max.
Current Rating: 1A AC/DC
Operating Temperature: -40°C to +85°C
Contact Resistance: 50 m Ω typ., 100 m Ω max.
Insulating Resistance: 1000 M Ω Min. (Apply 500VDC)
Dielectric Withstanding Voltage: Withstand 500 V AC for 1 minute

Mechanical:
Durability: 5,000 cycles

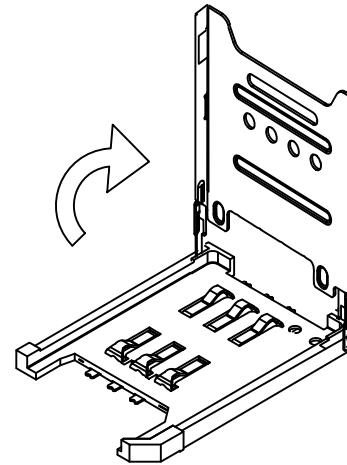


Part Number SIM5051		Product Description SIM Card Connector Hinged Type, 6 Pin, SMT, 1.85mm Profile			 www.gct.co
Drawing Date 4th October 2009					
By	CC	Tolerances (Except as Noted)		Units:	
Detail	SIM5051 F PCN	Length X.X \pm 0.25	Angle X.X° \pm 1°	Metric (mm)	
Revision	F3	X.XX \pm 0.15	X.X° \pm 0.5°		
Date	26/04/18	X.XXX \pm 0.050	X.XX° \pm 0.25°		
Not to Scale	Drawn By SA	Sheet No. 1/3			

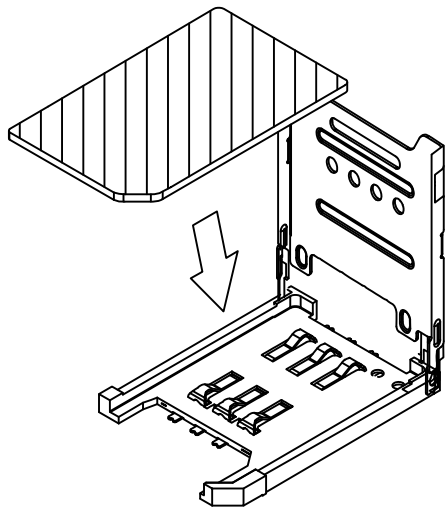
① Slide metal lid from 'LOCK' position to 'OPEN' position



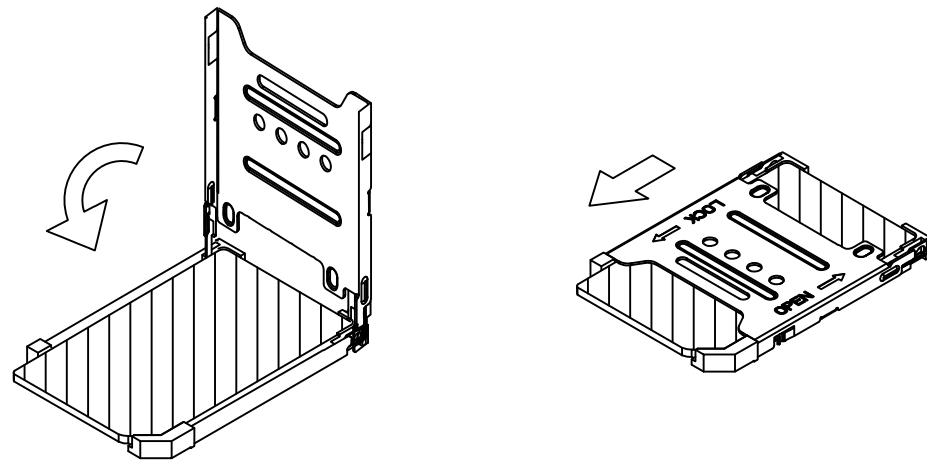
② Open metal lid to allow SIM card to be inserted







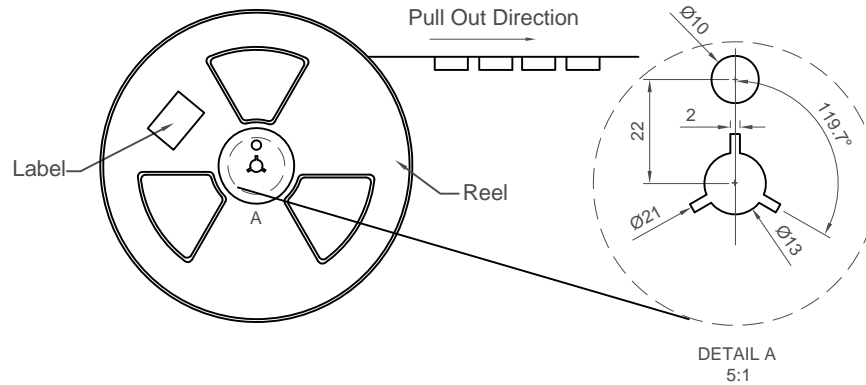
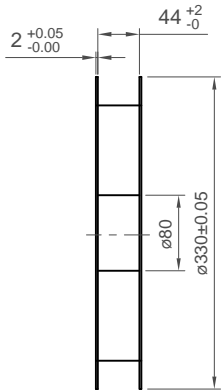
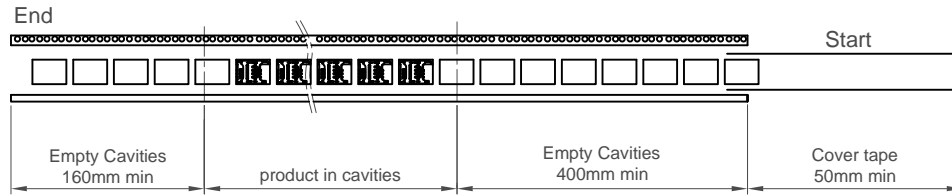
③ Place SIM card against contacts, chip face down



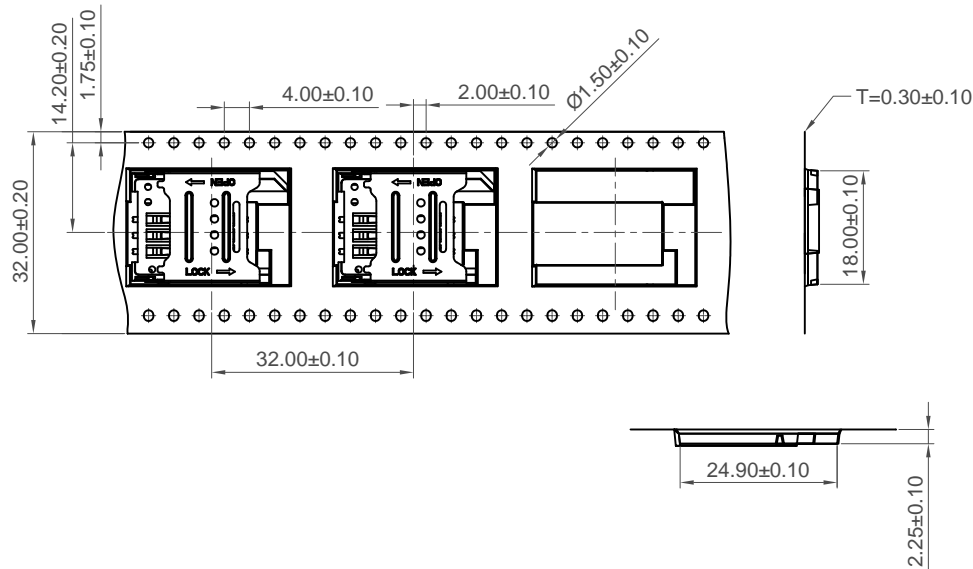
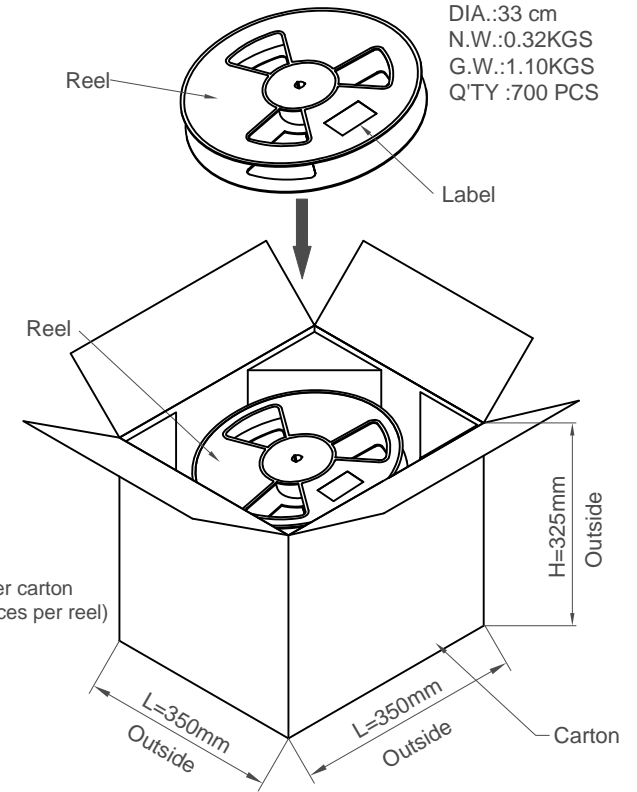
④ Close metal lid and slide back to 'LOCK' position



Part Number		Product Description		 www.gct.co
SIM5051		SIM Card Connector		
Drawing Date		Hinged Type, 6 Pin, SMT, 1.85mm Profile		
4th October 2009				
By	CC	Tolerances (Except as Noted)	Units:	  <p>This drawing is confidential and copyright of Global Connector Technology, Ltd (GCT). This drawing must not be copied or disclosed without written consent. E & OE</p>
Detail	SIM5051 F PCN	Length	Metric (mm)	
Revision	F3	Angle	 3rd Angle Projection	
Date	26/04/18			
Not to Scale	Drawn By SA			Sheet No. 2/3



N.W: 5.04KG
G.W: 9.57KG
Q'ty: 5600Pcs per carton
(8 reels, 700 pieces per reel)



Notes:

1. Each cavity will hold 1pc. Placement methods are shown in the diagrams.
2. After the packing machine filled the reel, tangle the reel one more loop with protection tape, stick adhesive tape on the four quadrants of the reel, to avoid out-spreading. Stick 1pc. of label on each reel.
3. Method of Packing is Hot-Melting.
4. The peel-off force between the cover tape & carry tape is: 0.1N-0.7N (variation within 0.3N). Peel-off angle: 165-175 degree; Speed of peel-off: 250mm-300mm/min.

Part Number		Product Description	
SIM5051		SIM Card Connector	
Drawing Date		Hinged Type, 6 Pin, SMT, 1.85mm Profile	
4th October 2009			
By	CC	Tolerances (Except as Noted)	Units:
Detail	SIM5051	Length	Metric (mm)
	F PCN	Angle	
Revision	F3		
Date	26/04/18		



This drawing is confidential and copyright of Global Connector Technology, Ltd (GCT). This drawing must not be copied or disclosed without written consent. E & OE



Not to Scale	Drawn By SA	Sheet No. 3/3
--------------	-------------	---------------