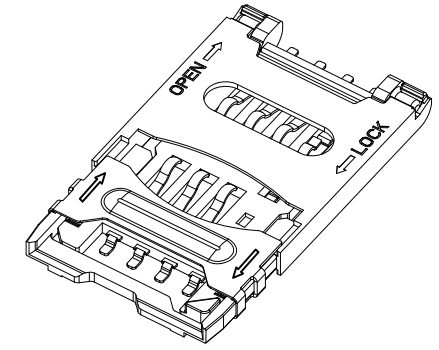


Recommended PCB Layout

General Tolerance ± 0.05 As viewed from component side

Solder Area
 Keep Out Area
 Component Outline



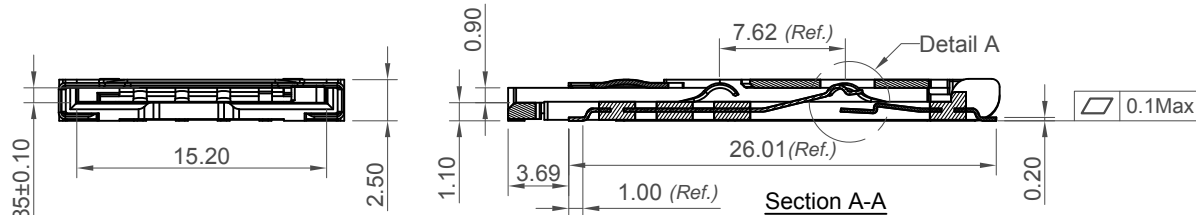
Specification:

Material:
 Housing: LCP UL94V-0
 Contact Terminal: Phosphor Bronze
 Metallic Shell: Stainless Steel - SUS304

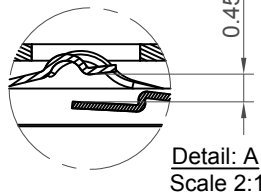
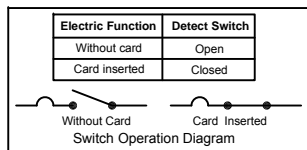
Plating:
 Contact Terminal plating:
 Contact Area: 5μ " Gold
 Soldering Area: 100μ " Tin
 Under-plating: 50μ " Nickel above

Electrical:
 Voltage Rating: 50 V max.
 Current Rating: 1A max.
 Operating Temperature : -40°C to $+85^{\circ}\text{C}$
 Contact Resistance: 50 m Ω typical, 100 m Ω max.
 Insulating Resistance: 1000 M Ω min. (Apply 500V DC)
 Dielectric Withstanding Voltage: 500 VAC for 1 minute

Mechanical:
 Durability: 5,000 cycles



C1	VCC
C2	RST
C3	CLK
C5	GND
C6	Vpp
C7	I/O



Detail: A
Scale 2:1

Ordering Grid

SIM5055 - **6** - **1** - **25** - **00** - **A**

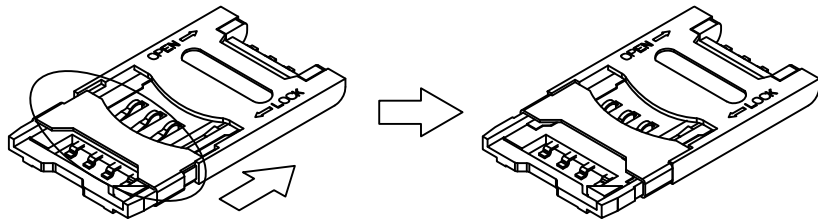
No. of Contacts: 6
 Card Detection Switch: 1 = With Switch (Normally Open)
 Packing Options: A = Tape & Reel (900 per Reel)
 Locating Post: 00 = Without

Part Number SIM5055		Product Description SIM Card Connector, Hinged Type, 6 Pin, SMT, 2.50mm Profile, with Card Detection Switch	
Drawing Date 3rd November 2010			
By CC	Tolerances (Except as Noted)	Units: Metric (mm)	 This drawing is confidential and copyright of Global Connector Technology, Ltd (GCT). This drawing will not be copied or disclosed without written consent. E & OE
Detail SIM5055 G PCN	Length X. ± 0.35 XX ± 0.25 XXX ± 0.15 XXX ± 0.10	Angle X° $\pm 5^{\circ}$ XX° $\pm 4^{\circ}$ XXX° $\pm 3^{\circ}$ XXX° $\pm 2^{\circ}$	
Revision G4			
Date 13/10/20			

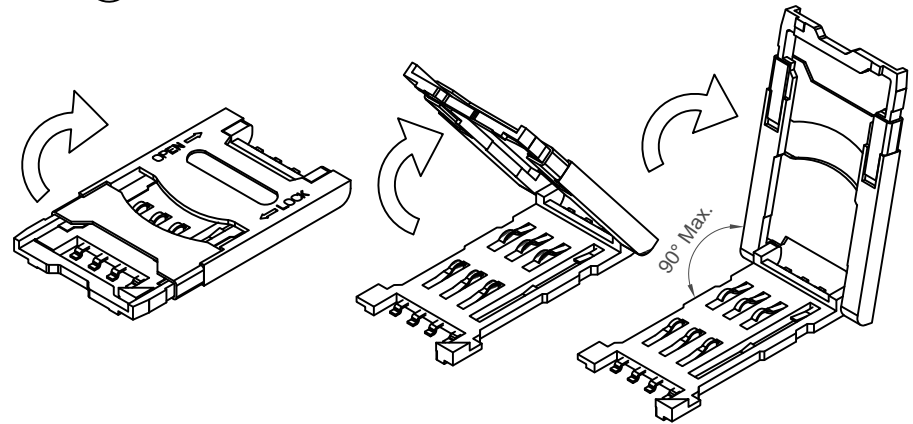
GCT
www.gct.co

Not to Scale	Drawn By SA	Sheet No. 1/3
--------------	----------------	------------------

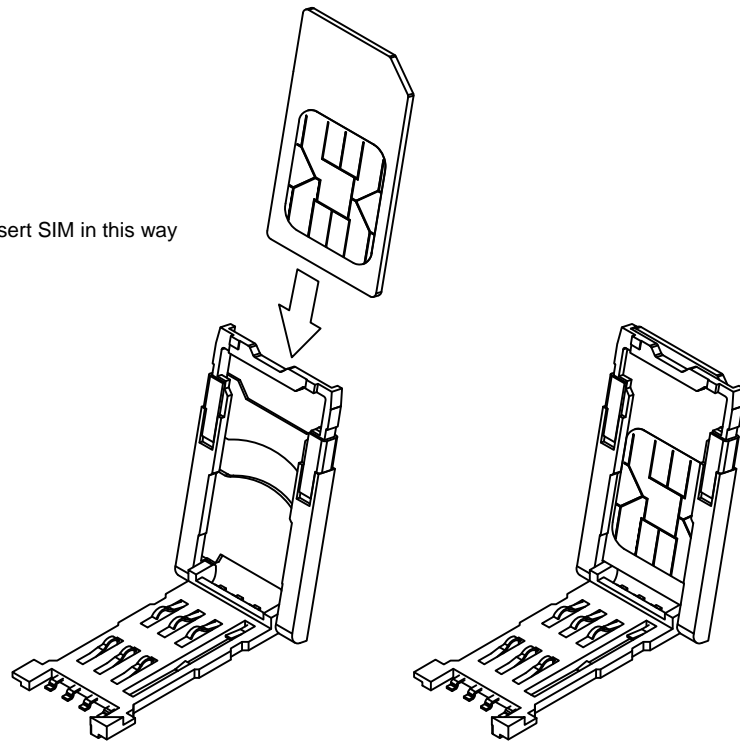
1 Slide metal lock back



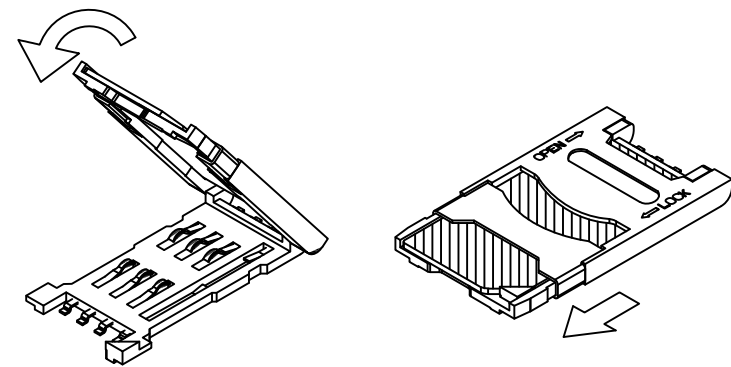
2 Open card holder section to allow SIM card to be inserted






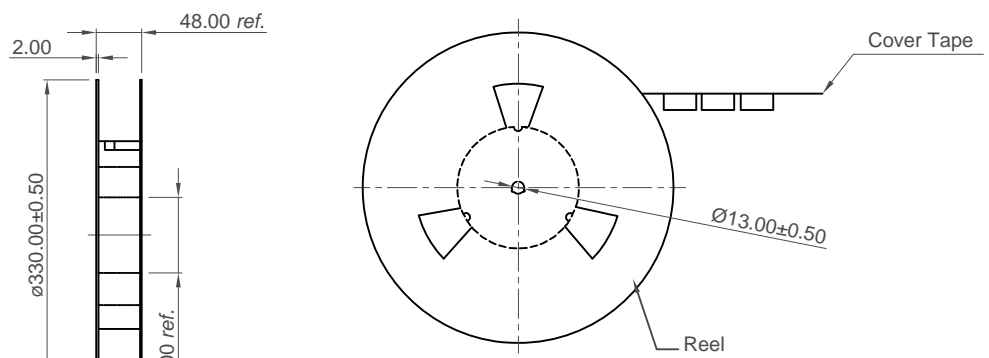
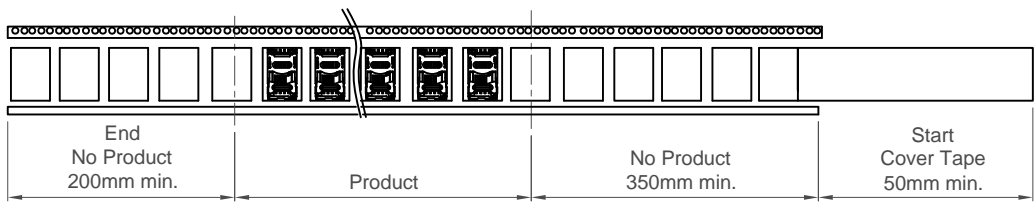
3 Insert SIM in this way



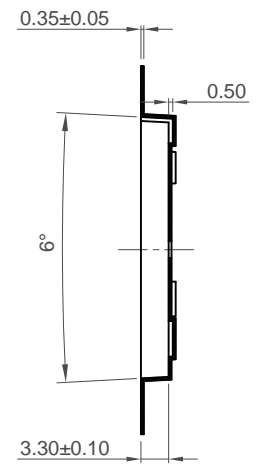
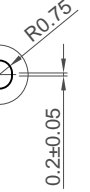
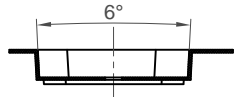
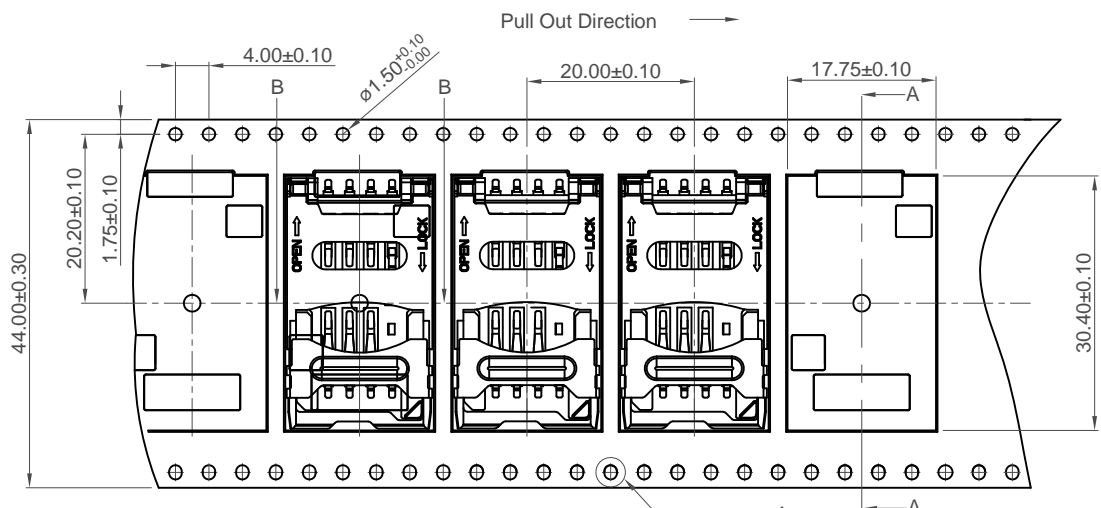
4 Rotate lid back and slide metal clip back to lock holder in position



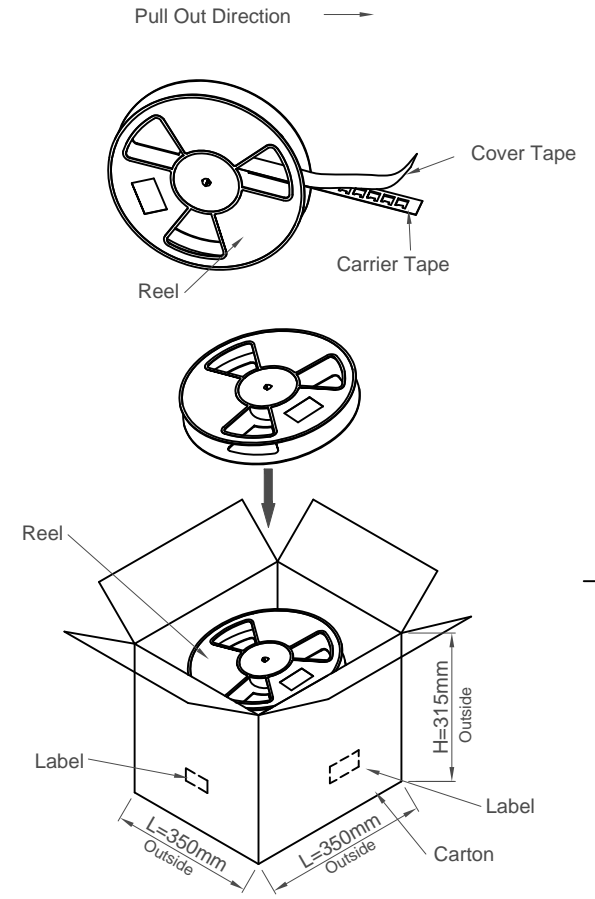
Part Number		Product Description		 www.gct.co
SIM5055		SIM Card Connector, Hinged Type, 6 Pin, SMT,		
Drawing Date		2.50mm Profile, with Card Detection Switch		
3rd November 2010				
By	CC	Tolerances (Except as Noted)	Units:	 This drawing is confidential and copyright of Global Connector Technology, Ltd (GCT). This drawing must not be copied or disclosed without written consent. E & OE
Detail	SIM5055 G PCN			
Revision	G4	Angle	 3rd Angle Projection	
Date	13/10/20			
				© Not to Scale Drawn By SA Sheet No. 2/3







Gross weight: 1.60KGS
Quantity: 900 PCS per reel



Section A-A



Gross weight: 10.88Kg
Quantity: 5400 Pcs per carton
Dimensions: 35.00L X 35.00W X 31.50H cm

Part Number		Product Description		 www.gct.co
SIM5055		SIM Card Connector, Hinged Type, 6 Pin, SMT,		
Drawing Date		2.50mm Profile, with Card Detection Switch		
3rd November 2010				
By	CC	Tolerances (Except as Noted)	Units:	  This drawing is confidential and copyright of Global Connector Technology, Ltd (GCT). This drawing must not be copied or disclosed without written consent. E & OE
Detail	SIM5055 G PCN	Length	Metric (mm)	
Revision	G4	Angle		
Date	13/10/20			
				
Not to Scale	Drawn By SA	Sheet No. 3/3		