

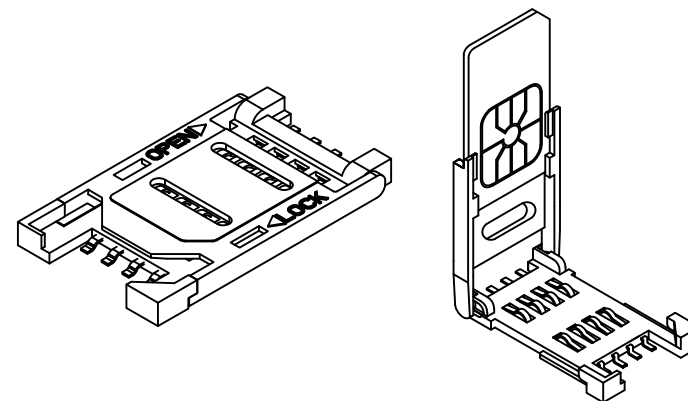
Recommended PCB Layout

as viewed from component side

▨ Solder Area ▩ Keep Out Area □ Component Outline

For 6 contacts version do not include solder pads C4 and C8 on PCB layout.

- C1----->VCC
- C2----->RST
- C3----->CLK
- C4----->RFU
- C5----->GND
- C6----->Vpp
- C7----->I/O
- C8----->RFU



Specifications

Material

Plastic Housing: Hi-Temp Thermoplastic UL94V-0, Black
Contact Terminal: Phosphor Bronze

Plating Contact Terminal plating:

Under-plating: 50µ" Nickel
Contact Area: 3µ" Gold
Soldering Area: 100µ" Tin

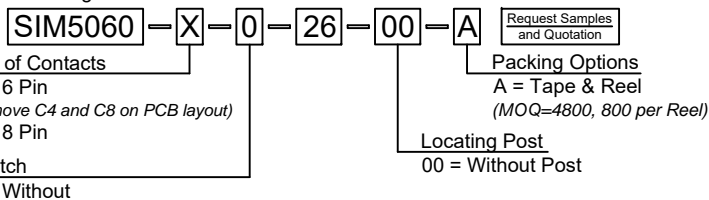
Electrical

Voltage Rating: 50 V max.
Current Rating: 1 Amp max. 10µ Amp min.
Operating Temperature: -40°C to +85°C
Contact Resistance: 50mΩ typical, 100mΩ max.
Insulating Resistance: 1000MΩ min. (Apply 500V DC)
Dielectric Withstanding Voltage: Withstand 500 VAC for 1 min.

Mechanical & Environmental

Durability: 5,000 cycles

Ordering Grid



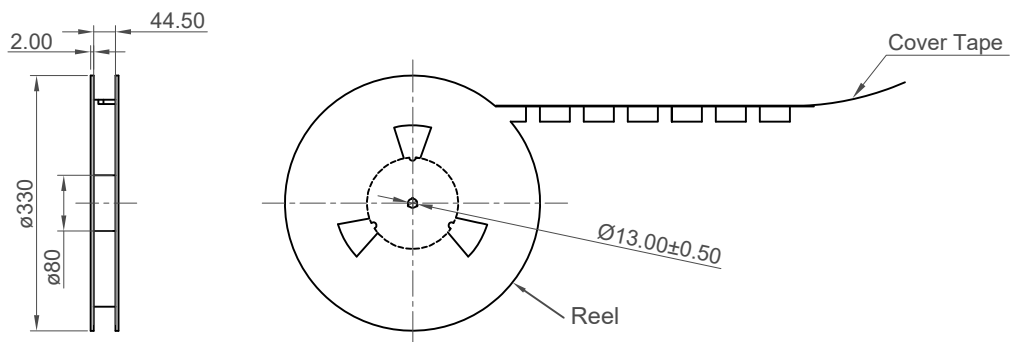
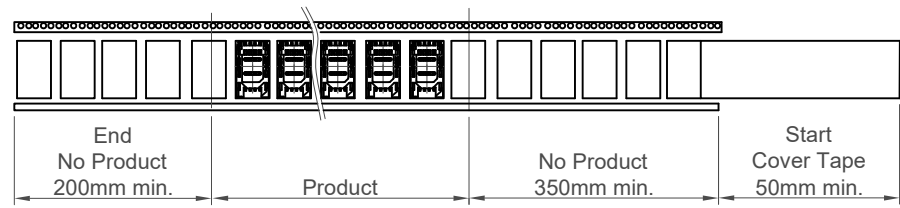
| | | | |
|--------------------|----------|---------------------------------|---------------|
| Part Number | | Product Description | |
| SIM5060 | | SIM Card Connector, Hinged Type | |
| Drawing Date | | 6 or 8 Pin, SMT, 2.6mm Profile | |
| 13th December 2010 | | | |
| By | CC | Tolerances (Except as Noted) | Units: |
| Detail | SIM5060 | Length | Metric (mm) |
| | C PCN | X. ± 0.30 | Angle |
| Revision | C5 | X.X ± 0.25 | X.° ± 1° |
| Date | 19/08/21 | X.XX ± 0.15 | X.X° ± 0.5° |
| | | X.XXX ± 0.050 | X.XX° ± 0.25° |



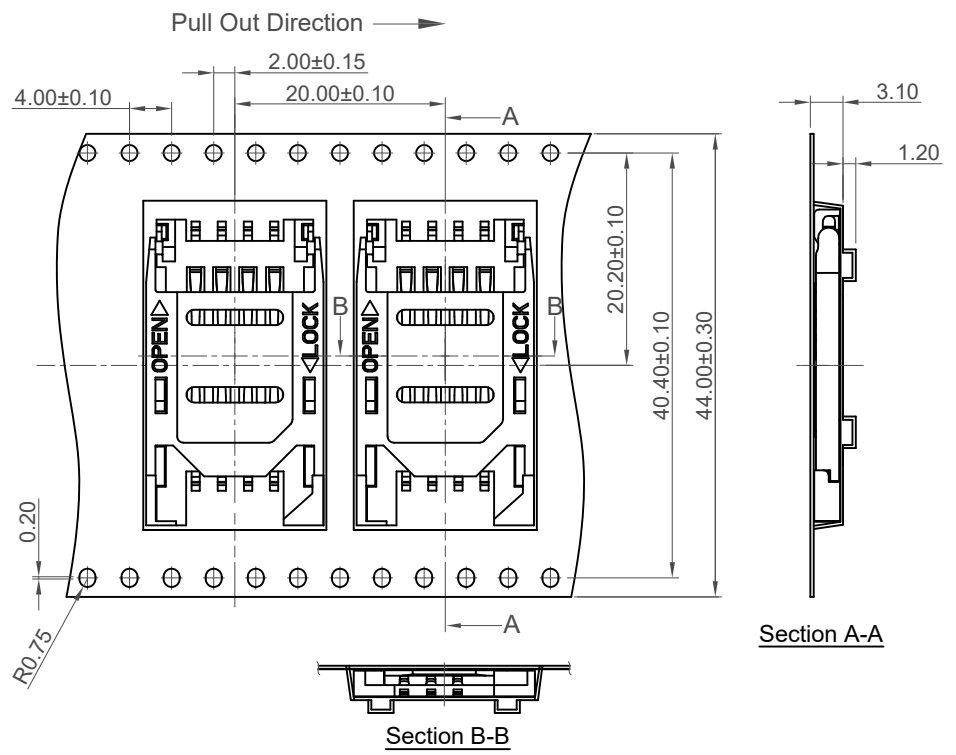
This drawing is confidential and copyright of Global Connector Technology, Ltd (GCT). This drawing must not be copied or disclosed without written consent. E & OE



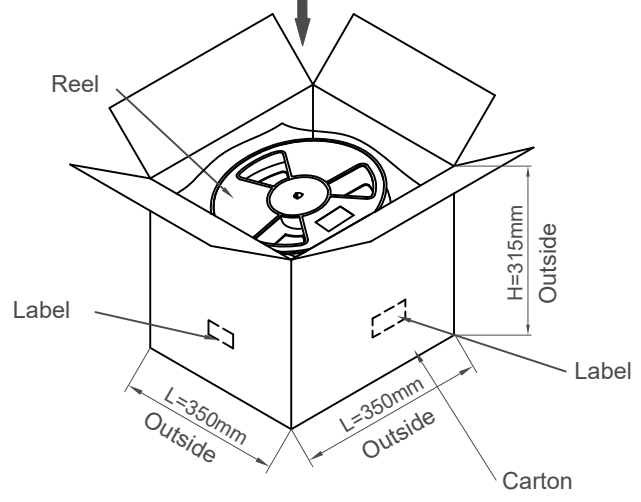
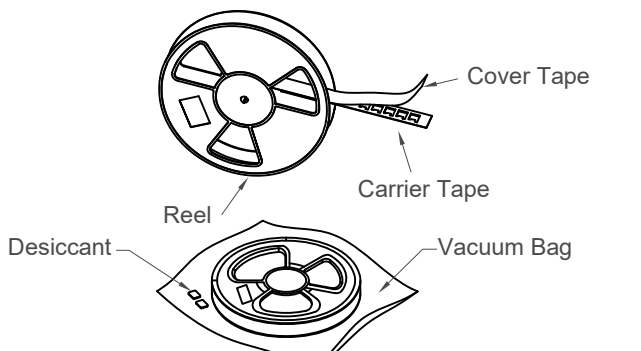
| | | |
|--------------|--------------|---------------|
| Not to Scale | Drawn By AJO | Sheet No. 1/2 |
|--------------|--------------|---------------|



Gross Weight: 1.50kgs
Quantity: 800 Pcs per Reel



Pull Out Direction →



Gross weight: 9.53KGS
Quantity: 4800 Pcs per carton(6 Reels set in order)
Dimensions: 35.00L X 35.00W X 31.50H cm

| | | | | | |
|------------------------------------|--|--|---|--|--|
| Part Number SIM5060 | | Product Description SIM Card Connector, Hinged Type 6 or 8 Pin, SMT, 2.6mm Profile | | | This drawing is confidential and copyright of Global Connector Technology, Ltd (GCT). This drawing must not be copied or disclosed without written consent. E & OE |
| Drawing Date 13th December 2010 | | | | | |
| By CC | | Tolerances (Except as Noted) | Units: Metric (mm) | | www.gct.co |
| Detail SIM5060 C PCN | | Length X. ± 0.30 X.X ± 0.25 X.XX ± 0.15 X.XXX ± 0.050 | Angle X.° ± 1° X.X° ± 0.5° X.XX° ± 0.25° | | |
| Revision C5 | | | | | |
| Date 19/08/21 | | | | | |

GCT
www.gct.co

Not to Scale | Drawn By AJO | Sheet No. 2/2