

Specifications

Material
 Plastic Housing: LCP 30%GF, UL94V-0, Black
 Contact Terminal: Phosphor Bronze C5210-EH, T=0.15mm
 Metallic Shell: SUS301-H, T=0.15mm

Plating
 Contact Terminal
 Contact Area: 3μ"Gold
 Solder area: Gold Flash
 Underplating: 50μ" Ni overall
 Metallic Shell: 50μ" Ni overall

Electrical
 Voltage Rating: 30V rms
 Current Rating: 0.5A per pin
 Operating Temperature: -40°C to +85°C
 Dielectric Withstanding Voltage: 200V AC (60Sec min)
 Insulation Resistance: 100MΩ min. (Apply 500VDC)
 Contact Resistance: 100mΩ max.

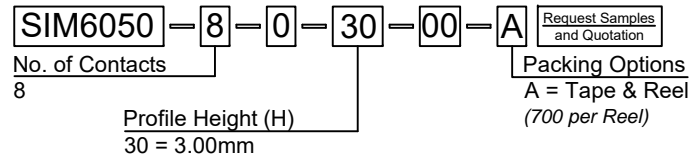
Mechanical & Environmental
 Duration: 5000 cycles

Recommended PCB Layout

As viewed from component side Tolerance: ±0.05mm

Solder Area
 Keep Out Area
 Component Outline

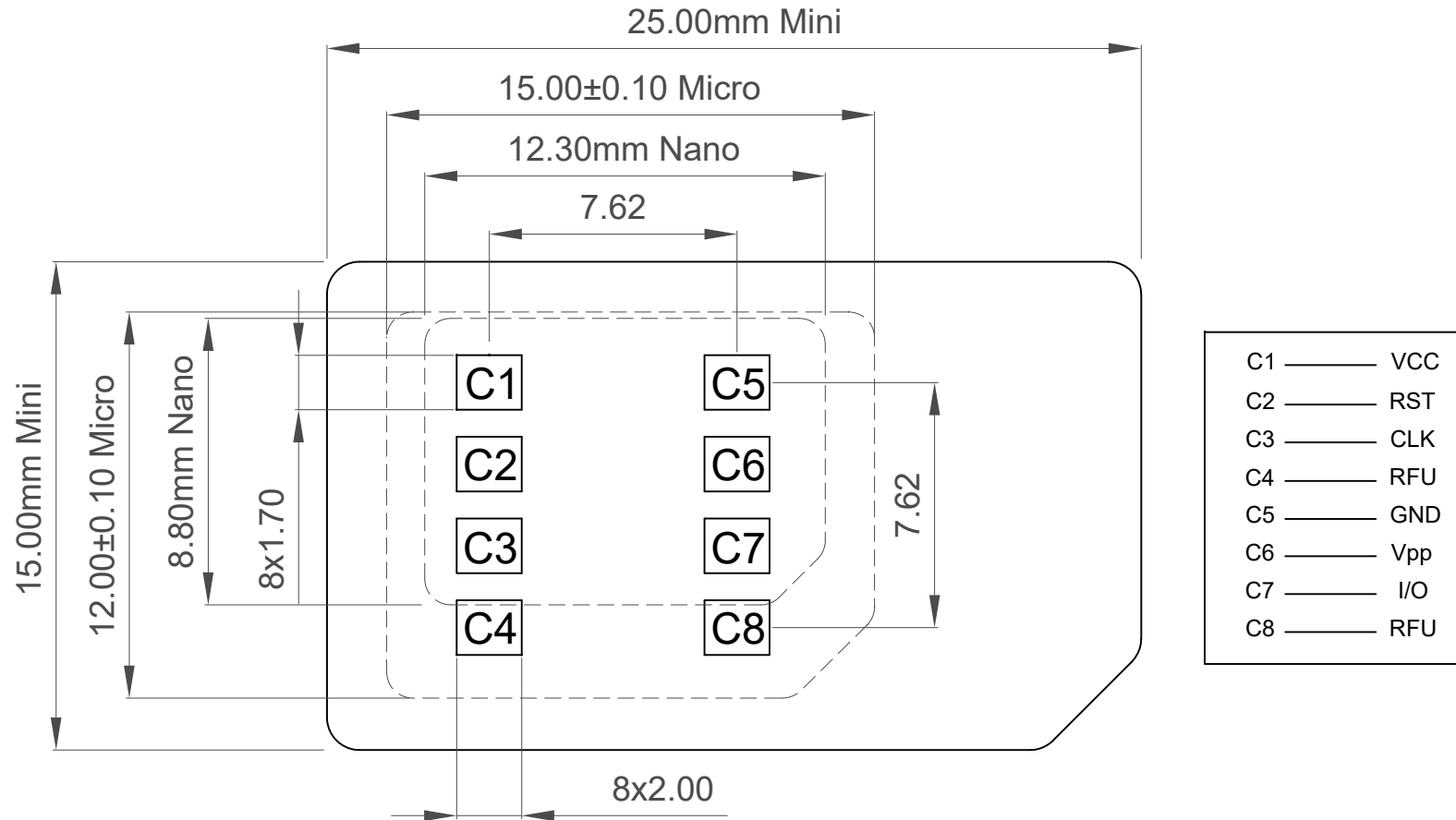
Ordering Grid



Part Number SIM6050		Product Description SIM Card Connector, Retainer Type, Dual SIM, 2x8 Pin, SMT, Profile 3.00mm		 www.gct.co
Drawing Date 15th March 2010				
By CC	Tolerances (Except as Noted) Length Angle	Units: Metric (mm)	 This drawing is confidential and copyright of Global Connector Technology, Ltd (GCT). This drawing must not be copied or disclosed without written consent. E & OE	
Detail SIM6050 D PCN	X.X ± 0.35 X.XX ± 0.25 X.XXX ± 0.15	X.X° ± 3° X.XX° ± 2°		
Revision D3	3rd Angle Projection			
Date 14/10/22				
Not to Scale	Drawn By SA	Sheet No. 1/3		

Mini SIM Reference

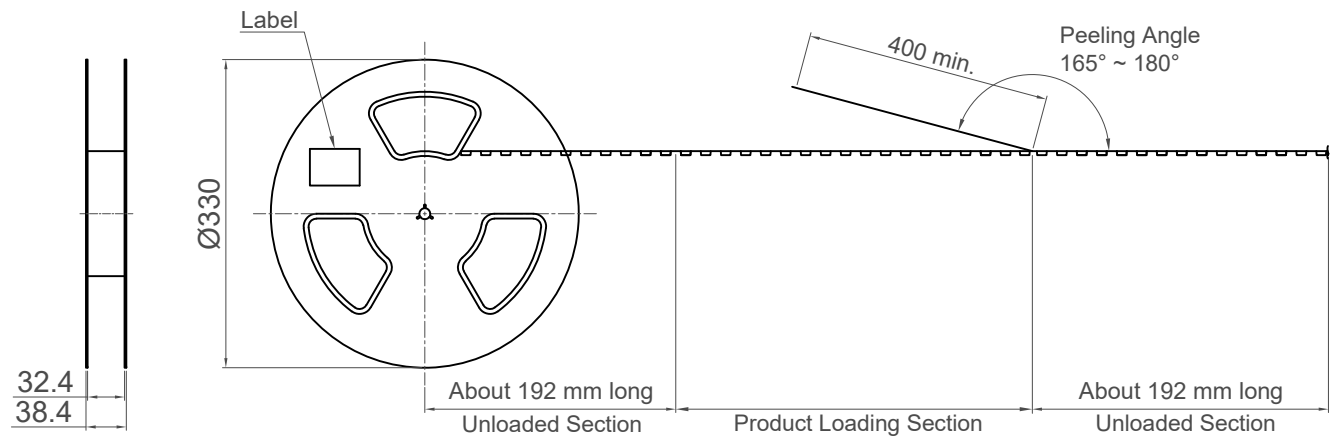
thickness = 0.76 ± 0.08



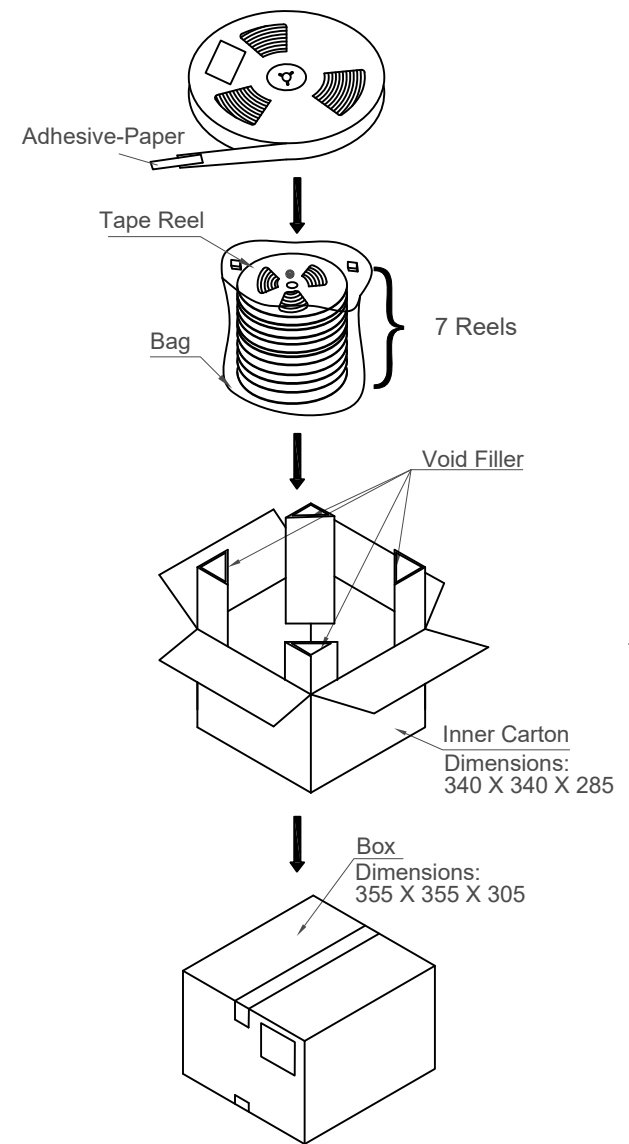
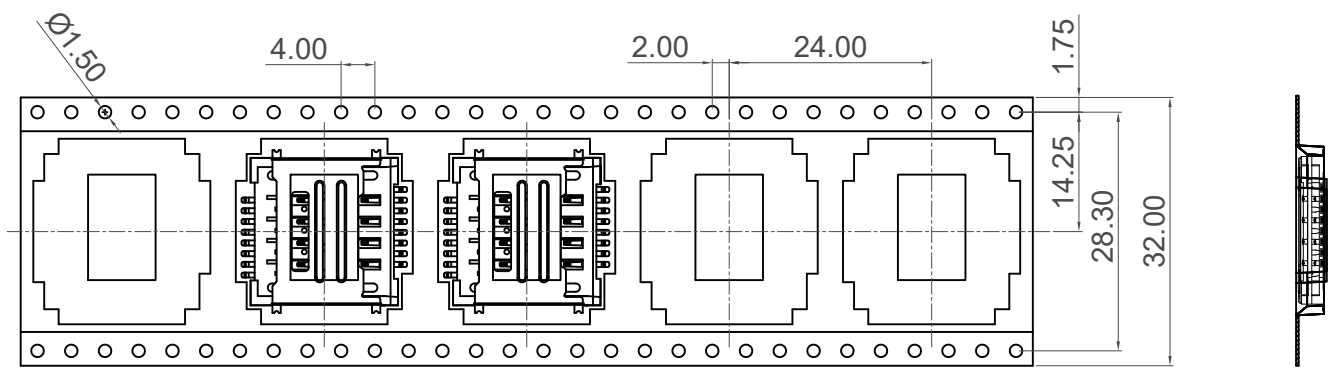
Part Number		Product Description	
SIM6050		SIM Card Connector, Retainer Type, Dual SIM, 2x8 Pin, SMT, Profile 3.00mm	
Drawing Date		15th March 2010	
By	CC	Tolerances (Except as Noted)	Units:
Detail	SIM6050 D PCN	Length	Metric (mm)
Revision	D3	Angle	
Date	14/10/22		
		This drawing is confidential and copyright of Global Connector Technology, Ltd (GCT). This drawing must not be copied or disclosed without written consent. E & OE	
Not to Scale	Drawn By SA	Sheet No. 2/3	



H
G
F
E
D
C
B
A



User direction of unreeling →



Notes:
Peeling off force of top tape: 0.1-1.3N (Peeling direction as shown)

Materials:
Carrier Tape: Polystyrene (PS)
Top Tape: PE
Reel Tape: Polystyrene (PS)
Bag: PE

Pcs / Reel	Reels / Carton	Total Quality
700	7	4900 pcs

Part Number SIM6050		Product Description SIM Card Connector, Retainer Type, Dual SIM, 2x8 Pin, SMT, Profile 3.00mm			This drawing is confidential and copyright of Global Connector Technology, Ltd (GCT). This drawing must not be copied or disclosed without written consent. E & OE
Drawing Date 15th March 2010		By CC			
Detail	SIM6050 D PCN	Tolerances (Except as Noted) Length	Angle	Units: Metric (mm)	
Revision	D3				
Date	14/10/22				
Not to Scale		Drawn By SA	Sheet No. 3/3		www.gct.co

1 2 3 4 5 6 7 8