

Specifications 规格

Material 物料

Plastic Housing 塑胶外壳: Thermoplastic, UL94V-0, black
 Contact Terminal 接触端子: Phosphor Bronze
 Metallic Shell 金属外壳: Stainless Steel SUS304

Plating 电镀

Contact Terminal 接触端子:
 Contact Area 接触区域: 3μ" Gold
 Solder area: 3μ" Gold
 Underplating 底层电镀: 50μ" Ni overall
 Metallic Shell 金属外壳:
 Solder area 焊接区域镀金 1μ" Gold
 Underplating 底层电镀: 50μ" Ni overall

Electrical 电气

Voltage Rating 电压额定值: 50V
 Current Rating 电流额定值: 1A max.
 Operating Temperature 工作温度: -40°C to +85°C
 Dielectric Withstanding Voltage 耐电压: 500V AC (60Sec min.)
 Insulation Resistance 绝缘电阻: 1000 MΩ min. (Apply 500V DC)
 Contact Resistance 接触电阻: 100 mΩ max.

Mechanical & Environmental 机械 & 环境

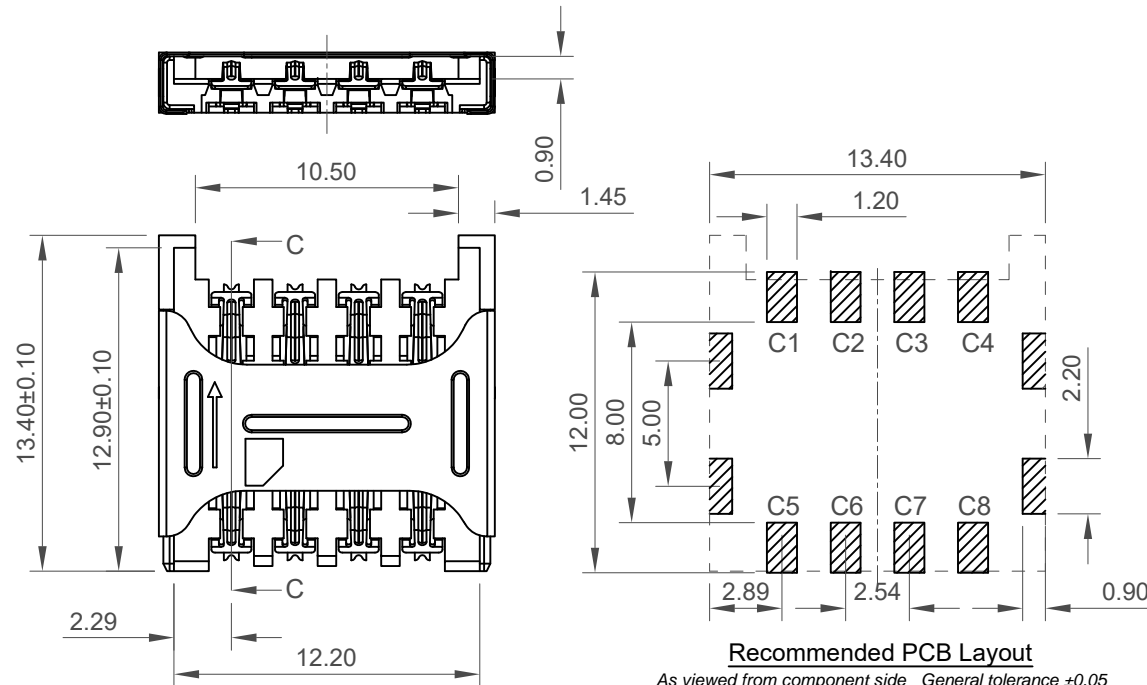
Duration 耐久性: 5000 cycles

Ordering Grid

SIM7050 - **X** - **0** - **00** - **A** Request Samples and Quotation

No. of Contacts
 6 = 6 Pin
 8 = 8 Pin
 (contacts C4 & C8 removed from component)

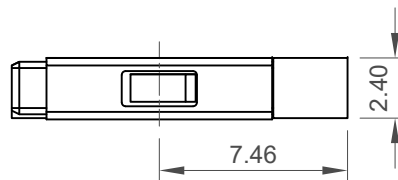
Packing Options
 A = Tape & Reel
 (900 per Reel)



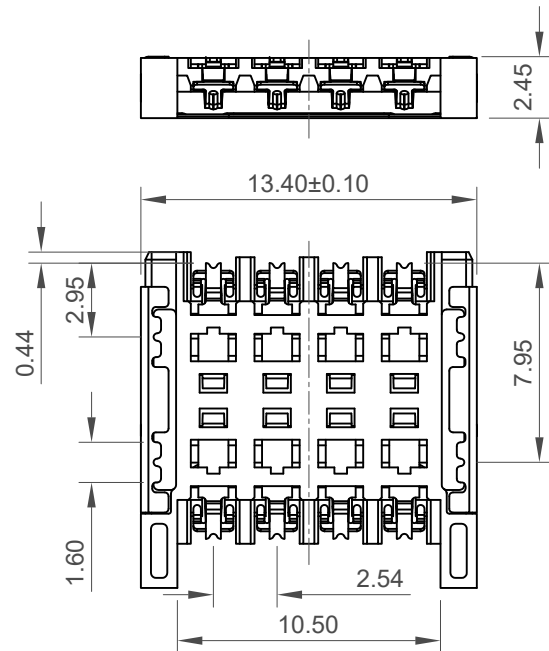
Recommended PCB Layout

As viewed from component side General tolerance ±0.05

Solder Area Component Outline



Section C-C



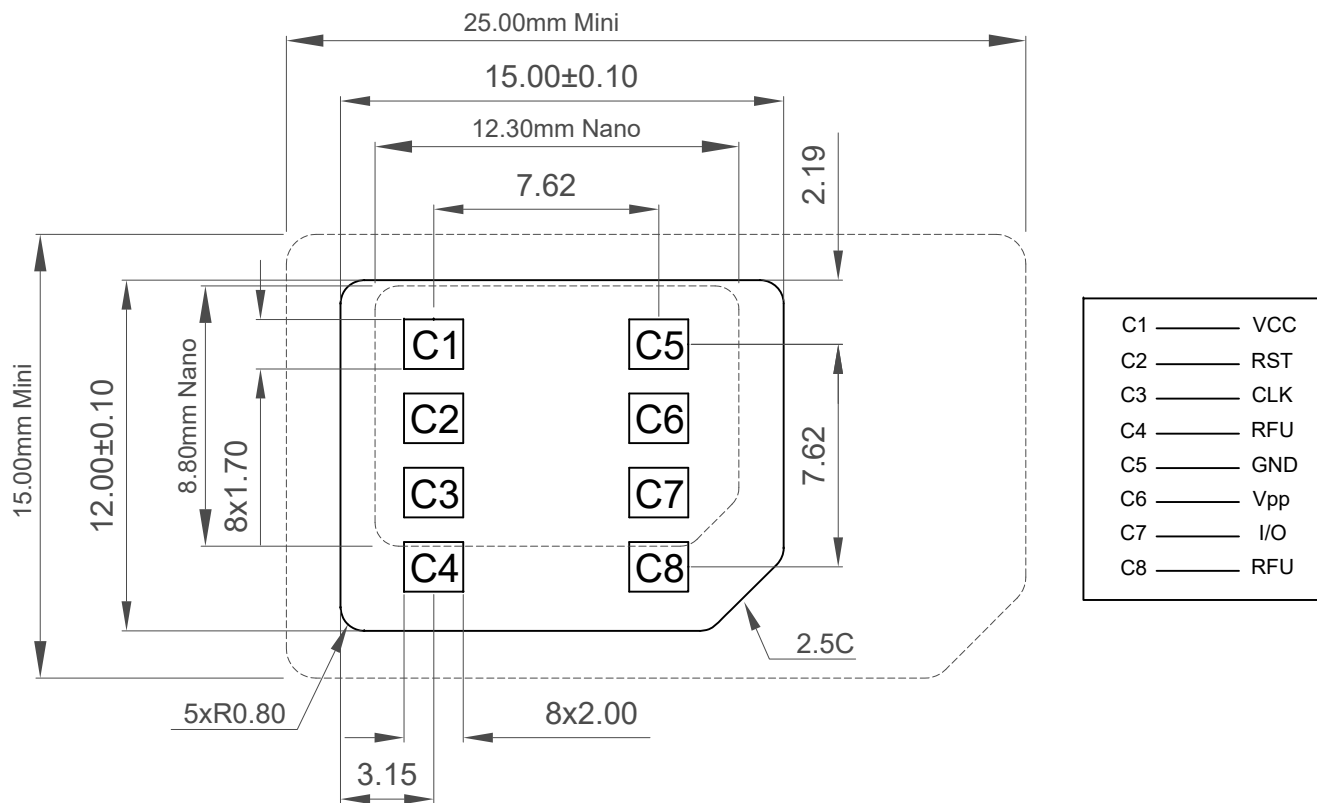
Part Number		Product Description	
SIM7050		Micro SIM Card Connector	
Drawing Date		Retainer Type, 6 & 8 Pin, SMT, Profile 2.45mm	
24th August 2012			
By	AJO	Tolerances (Except as Noted)	Units:
Detail	SIM7050	Length	Metric (mm)
Revision	C	X.X ± 0.35	
Date	20/04/15	X.XX ± 0.25	X.X° ± 3.0°
		X.XXX ± 0.15	X.XX° ± 2.0°
			This drawing is confidential and copyright of Global Connector Technology, Ltd (GCT). This drawing must not be copied or disclosed without written consent. E & OE



Not to Scale Drawn By ASE Sheet No. 1/3

Micro SIM Reference

thickness = 0.76 ± 0.08

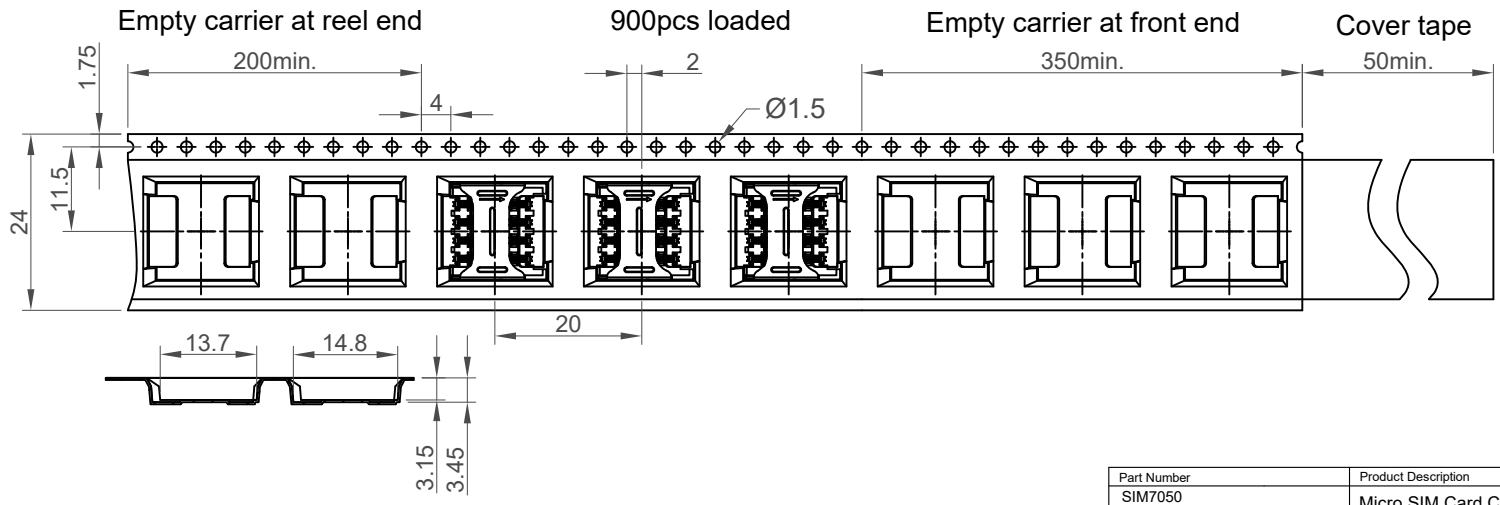
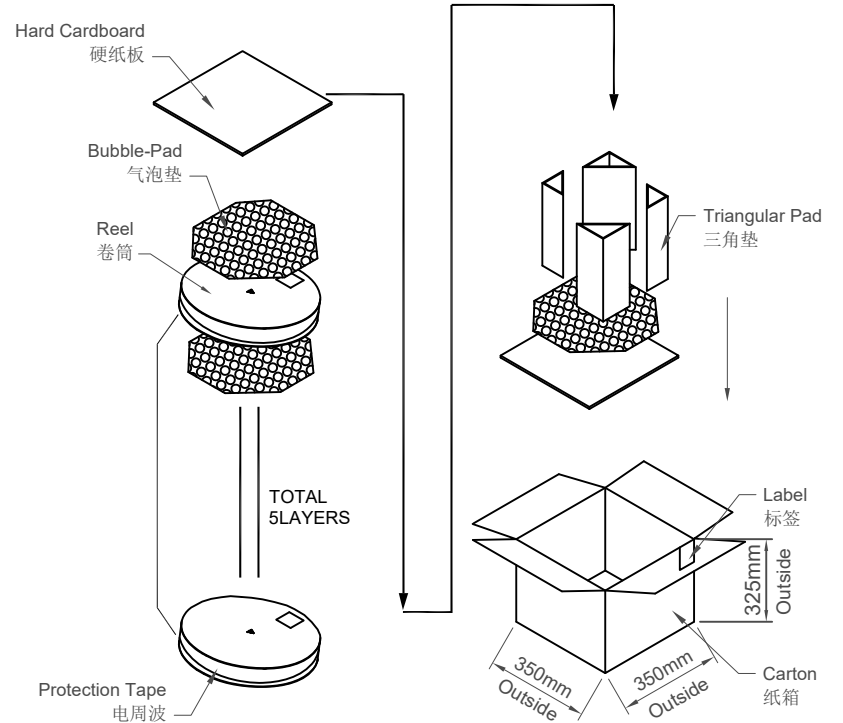
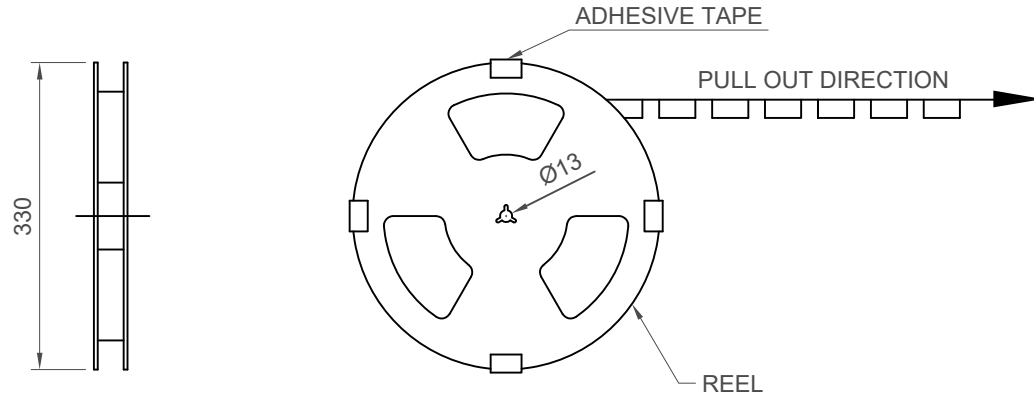


C1	VCC
C2	RST
C3	CLK
C4	RFU
C5	GND
C6	Vpp
C7	I/O
C8	RFU

Part Number		Product Description		
SIM7050		Micro SIM Card Connector		
Drawing Date		Retainer Type, 6 & 8 Pin, SMT, Profile 2.45mm		
24th August 2012				
By	AJO	Tolerances (Except as Noted)		Units:
Detail	SIM7050	Length	Angle	Metric (mm)
Revision	C PCN			
Date	20/04/15			
				This drawing is confidential and copyright of Global Connector Technology, Ltd (GCT). This drawing must not be copied or disclosed without written consent. E & OE
				www.gct.co
				Not to Scale
				Drawn By ASE
				Sheet No. 2/3

Notes:

1. Reel Diameter.: 33CM.
2. 900 PCS per Reel, Gross Weight: 0.77KG.
3. 10 Reels per Full Carton, Gross Weight: 7.7KG



Part Number		Product Description	
SIM7050		Micro SIM Card Connector	
Drawing Date		Retainer Type, 6 & 8 Pin, SMT, Profile 2.45mm	
24th August 2012			
By	AJO	Tolerances (Except as Noted)	Units:
Detail	SIM7050	Length	Metric (mm)
	C PCN	X.X ± 0.15	± 1.5°
Revision	C	X.XX ± 0.10	
Date	20/04/15	X.XXX ± 0.05	



This drawing is confidential and copyright of Global Connector Technology, Ltd (GCT). This drawing must not be copied or disclosed without written consent. E & OE



Not to Scale	Drawn By ASE	Sheet No. 3/3
--------------	--------------	---------------