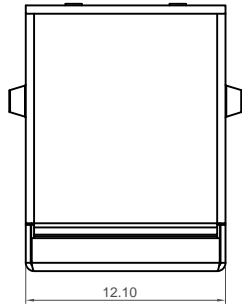
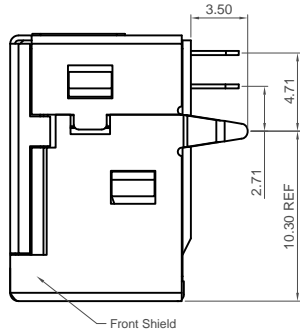


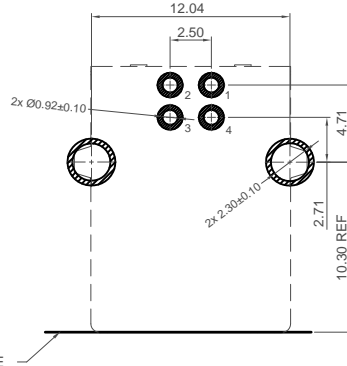
Rear Shield



12.10



Front Shield

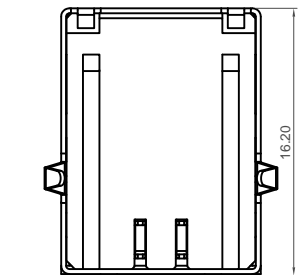
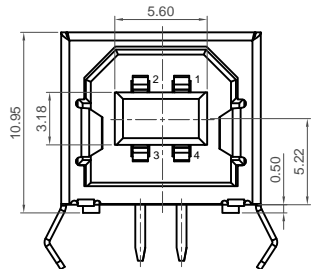
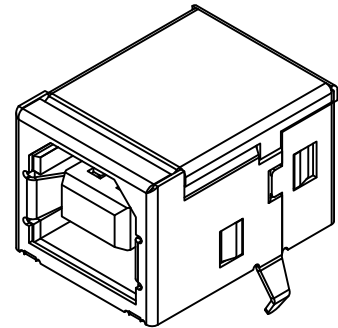


P.C.B. EDGE

RECOMMENDED P.C.B. LAYOUT
THICKNESS: 1.6mm GENERAL TOLERANCE: ±0.05

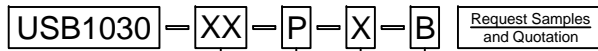
AS VIEWED FROM COMPONENT SIDE

Solder Area
Component Outline



16.20

Ordering Grid



Contact Plating
GF = Gold Flash (Standard)
15 = 15µ" Gold

Packing Options
B = Tray
(100 per tray)

Insulator Colour
B = Black (Standard)

Insulator Material
P = PBT

Specifications 规格:

Materials & Plating 物料与电镀:

Plastic Housing 塑胶外壳: Thermoplastic, PBT, Glass Fibre Filled, UL94V-0
热塑性塑料, PBT; 玻纤填充, UL94V-0

Contact Terminal 接触端子: Brass (t=0.25mm) 黄铜

Metallic Shell 金属外壳: Brass 黄铜

Metallic Shell Rear 金属外壳后: Steel 钢

Finish 表面处理:

Underplating 底层电镀: 50µ" Nickel 50µ" 镍

Plating 电镀:

Contact Area 接触面积: Gold Flash or 15µ" Gold 闪金或15µ"金

Solder Tails 焊接末端: 50µ" Tin 50µ" 锡

Metallic Shell 金属外壳: Nickel 镍

Electrical 电气规格:

Voltage Rating 电压额定值: 30V

Current Rating 电流额定值: 1.5A

Operating Temperature 工作温度: -40°C to +85°C

Contact Resistance 接触电阻值: 30mΩ Max.

Insulating Resistance 绝缘电阻值: 1000MΩ Min.

Dielectric Withstand Voltage 耐压: 500V AC

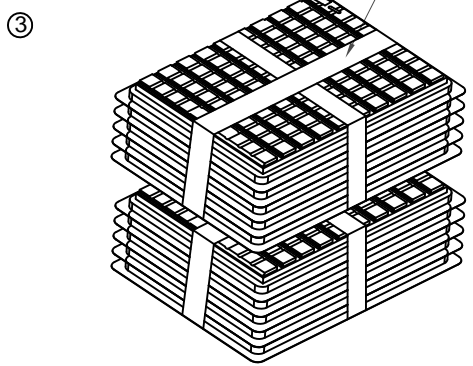
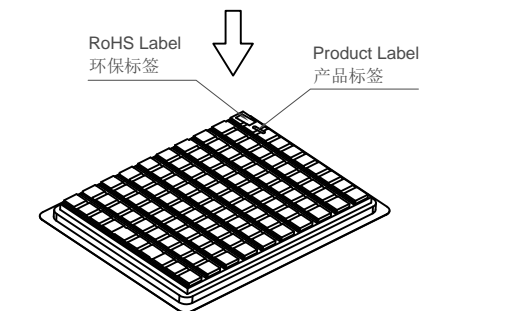
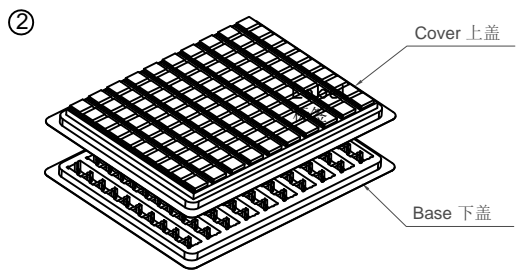
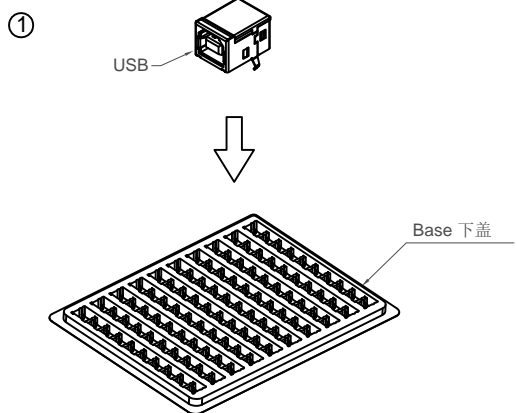
Mechanical 机械性规格:

Mating Force 插入力: 35N (3.57Kg) Max.

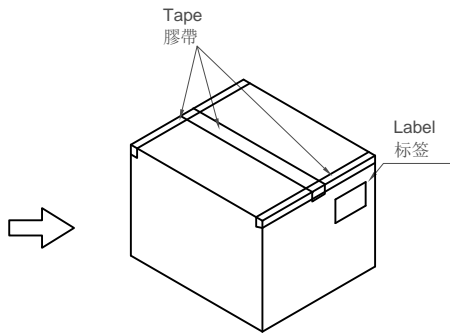
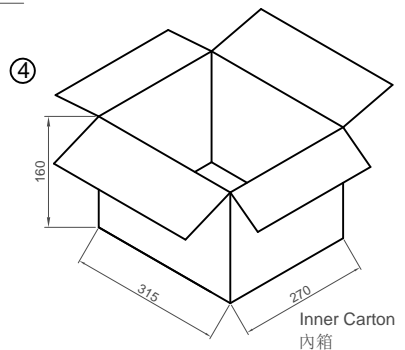
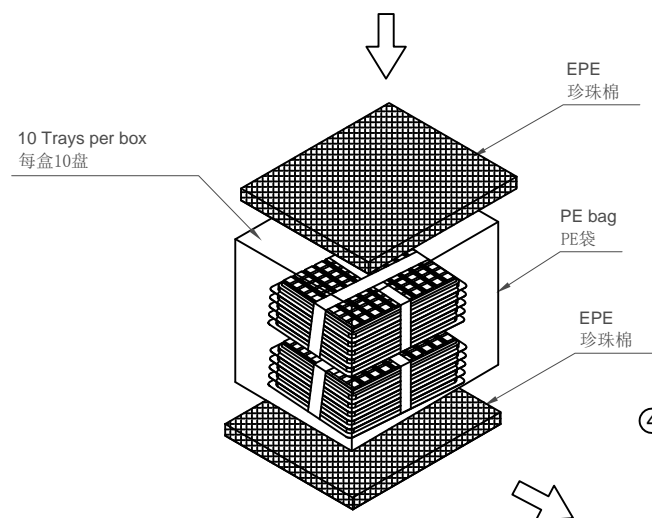
Unmating Force 拔出力: 10N (1.02Kg) Min.

Durability 耐久性: 1,500 Cycles 1500次插拔

Part Number USB1030		Product Description USB Receptacle, Type B, 4 Pin, Through Hole, R/A, Top Mount, With Kinked Shell Stakes		 www.gct.co
Drawing Date 14th February 2011				
By CC	Detail USB1030 B PCN	Tolerances (Except as Noted) Length X.X ± 0.35 X.XX ± 0.25	Units: Metric (mm)	 This drawing is confidential and copyright of Global Connector Technology, Ltd (GCT). This drawing must not be copied or disclosed without written consent. E & OE
Revision Date	B1 05/12/16	Angle X.° ± 1° X.X° ± 0.5°	 3rd Angle Projection	
Not to Scale	Drawn By SA	Sheet No. 1/2		



5 trays taped together 5盘叠加
2 sets per box 每盒2套



Products P/N	PCS/Tray	Trays/Carton	PCS/Carton
USB1030-XX-P-X-B	100	10	1000

Packing Rules 封裝規則:

1. USB's placed into the tray base. 将USB连接器放入吸塑盘内
2. Tray cover and base taped together to keep USB's in place. USB连接器放好后, 加上吸塑盖, 并用胶带缠绕好
3. 10 trays put into carton. 10吸塑盘一叠, 放入纸箱
4. Boxed taped and label stuck on the outer carton. 用胶带封住纸箱; 并贴上标签。

Part Number USB1030		Product Description USB Receptacle, Type B, 4 Pin, Through Hole, R/A, Top Mount, With Kinked Shell Stakes	
Drawing Date 14th February 2011			
By CC	Tolerances (Except as Noted) Length Angle	Units: Metric (mm)	<p>This drawing is confidential and copyright of Global Connector Technology, Ltd (GCT). This drawing must not be copied or disclosed without written consent. E & OE</p>
Detail USB1030 B PCN	X.X ± 0.35 X.XX ± 0.25	X° ± 1° X.X° ± 0.5°	
Revision B1			
Date 05/12/16			



Not to Scale	Drawn By SA	Sheet No. 2/2
--------------	----------------	------------------