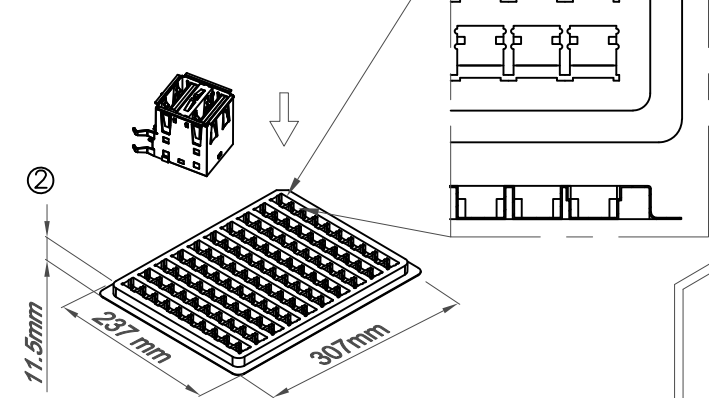
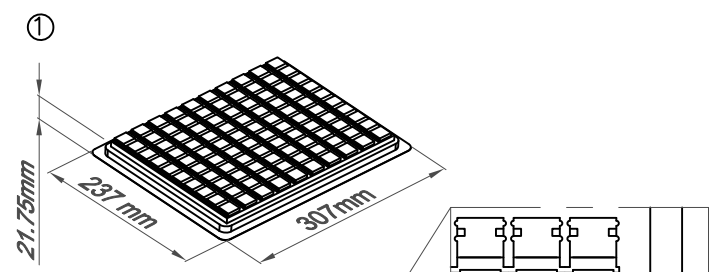
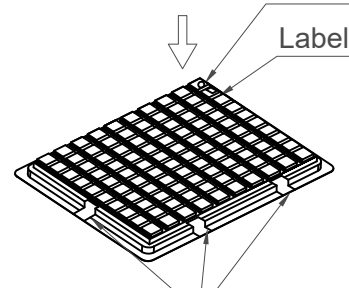




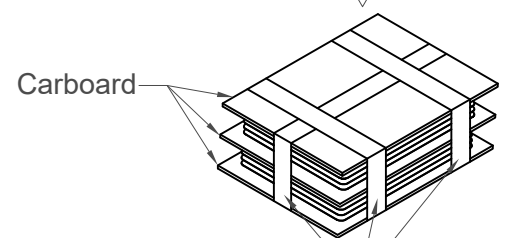
H  
G  
F  
E  
D  
C  
B  
A



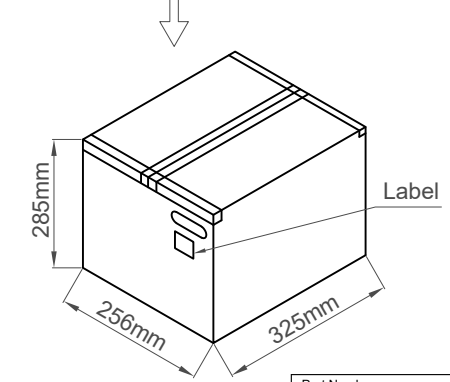
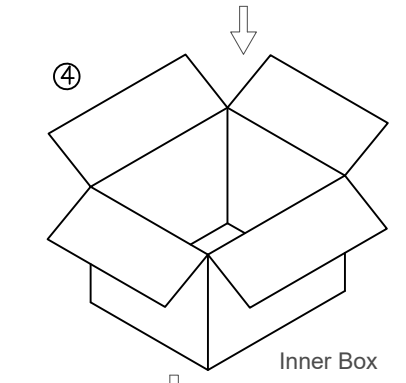
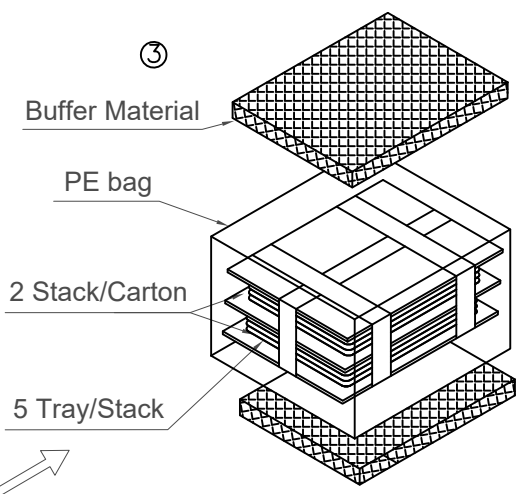
100PCS/tray  
RoHS label  
Label



Sealed by adhesive Tape



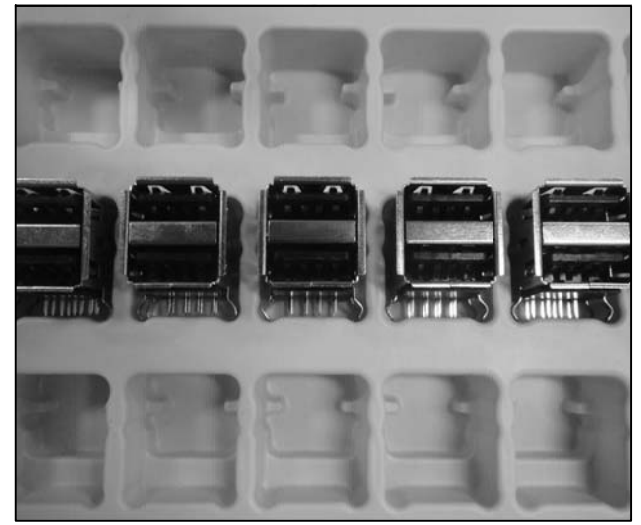
Use stretch film winding



Products P/N	PCS/Tray	Trays/Carton	PCS/Carton
USB1035	100	10	1000

Packing Rules:

- 1.USB's placed into the tray base.
- 2.Tray cover and base taped together to keep USB's in place.
- 3.10 trays put into carton.
- 4.Boxed taped and label stuck on the outer carton.



USB's placed into the tray base.

Part Number USB1035		Product Description USB Dual Receptacle, Type A, 8 Pin, Through Hole, Horizontal, Top Mount, With Kinked Shell Stakes			This drawing is confidential and copyright of Global Connector Technology, Ltd (GCT). This drawing must not be copied or disclosed without written consent. E & OE	
Drawing Date 14th February 2011						
By CC	Detail USB1035 F PCN	Tolerances (Except as Noted) Length	Angle	Units: Metric (mm)		
Revision Date	F 03/11/21					
				Not to Scale	Drawn By SA	Sheet No. 2/2

