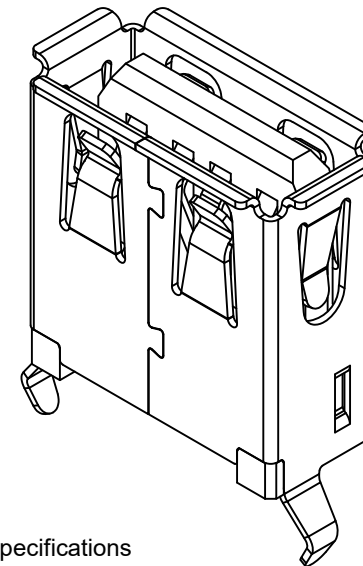


Recommended P.C.B Layout

Thickness: 1.6mm General Tolerance: ±0.05
as viewed from component side

▨ Solder Area □ Component Outline



Specifications

Material

Plastic Housing: LCP, UL94V-0, Black
Contact Terminal: Brass
Metallic Shell: Brass

Plating

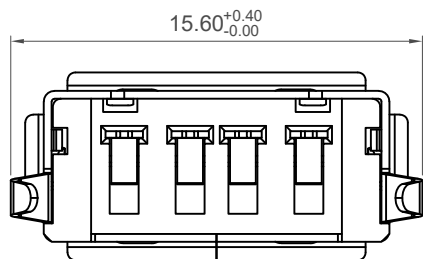
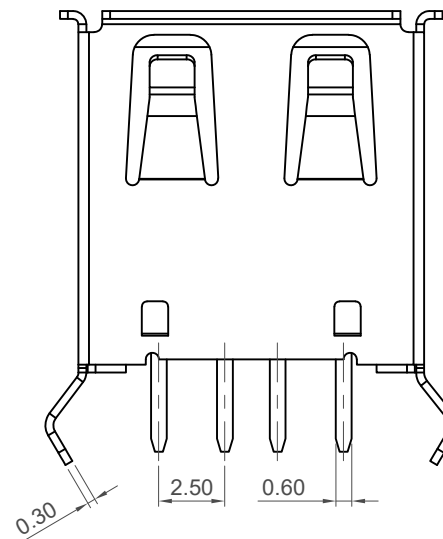
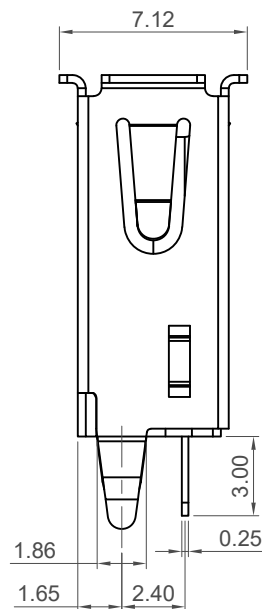
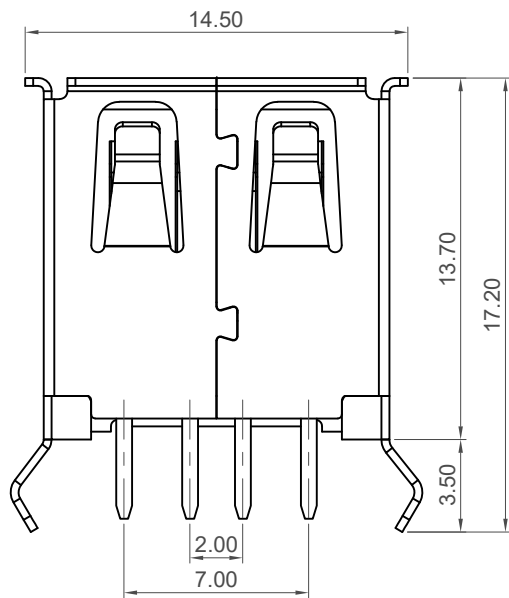
Underplating: Nickel all over
Contact Area: Gold Flash or 15µ" Gold
Solder Tails: Tin
Metallic Shell: Nickel

Electrical:

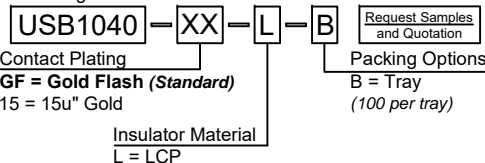
Voltage Rating: 30V
Current Rating: 2A
Operating Temperature: -40°C to +85°C
Contact Resistance: 30 mΩ max.
Insulating Resistance: 1000 MΩ min.
Dielectric Withstand Voltage: 500V AC

Mechanical & Environmental

Mating Force: 35N (3.57Kgf) max.
Unmating Force: 10N (1.02Kgf) min.
Durability: 1,500 Cycles



Ordering Grid



Part Number		Product Description	
USB1040		USB Receptacle, Type A, 4 Pin, Through Hole, Vertical, With Kinked Shell Stakes	
Drawing Date		14th February 2011	
By	CC	Tolerances (Except as Noted)	Units:
Detail	USB1040	Length	Metric (mm)
Revision	C PCN	Angle	
Date	C4	X.X ± 0.35	X.° ± 3.0°
	01/02/24	X.XX ± 0.25	X.X° ± 1.5°

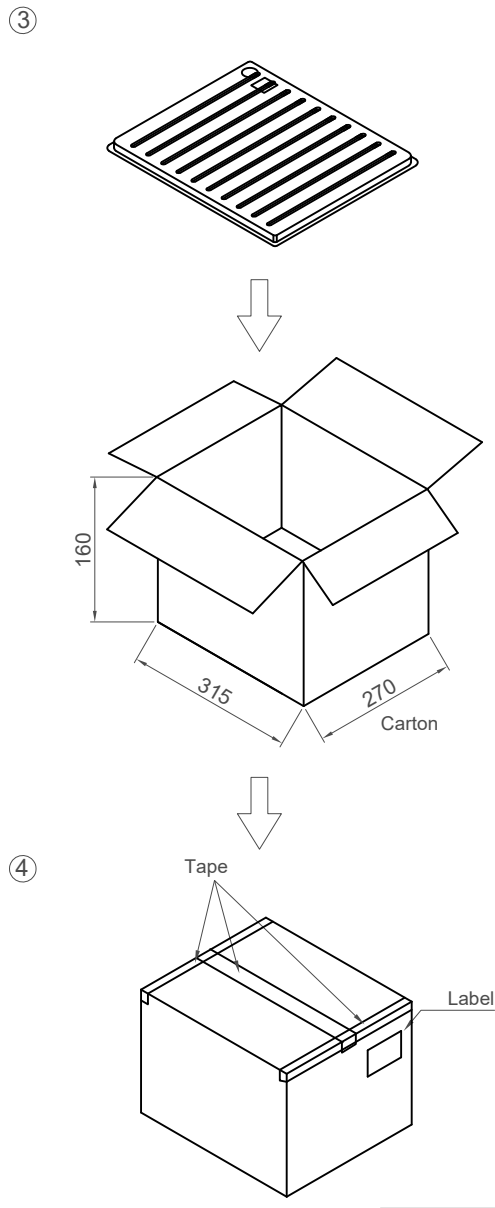
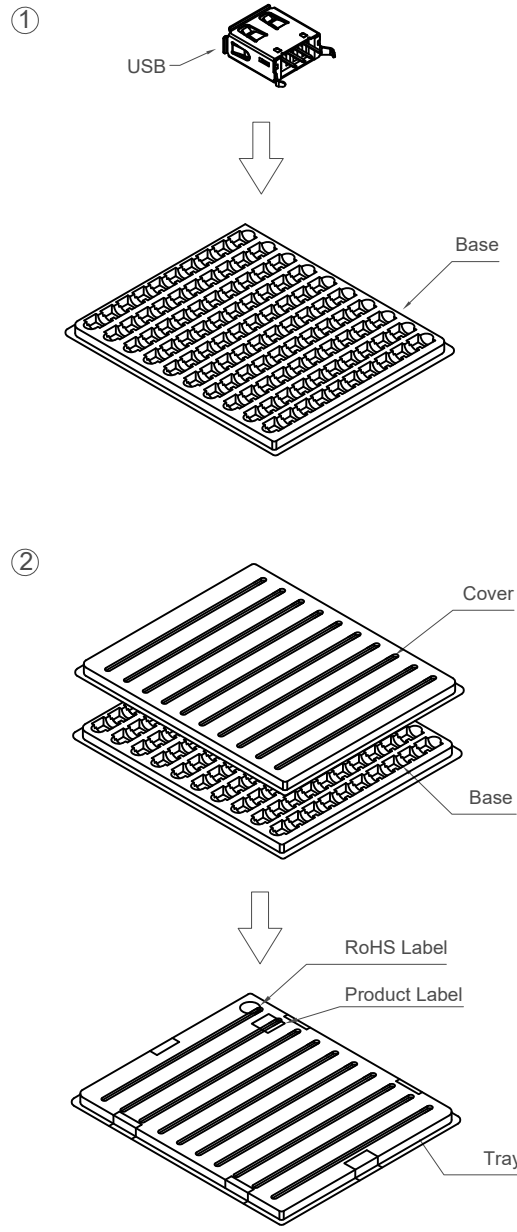


This drawing is confidential and copyright of Global Connector Technology, Ltd (GCT). This drawing must not be copied or disclosed without written consent. E & OE



Not to Scale	Drawn By SA	Sheet No. 1/2
--------------	-------------	---------------



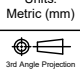
H
G
F
E
D
C
B
A



Packing Rules:

1. USB's placed into the tray base.
2. Tray cover and base taped together to keep USB's in place.
3. 10 trays put into carton.
4. Boxed taped and label stuck on the outer carton.

Products P/N	PCS/Tray	Trays/Carton	PCS/Carton
USB1040	100	10	1000

Part Number USB1040		Product Description USB Receptacle, Type A, 4 Pin, Through Hole, Vertical, With Kinked Shell Stakes		 www.gct.co
Drawing Date 14th February 2011				
By CC	Detail USB1040 C PCN	Tolerances (Except as Noted) Length Angle	Units: Metric (mm)	
Revision C4	Date 01/02/24	-	-	 
<small>This drawing is confidential and copyright of Global Connector Technology, Ltd (GCT). This drawing must not be copied or disclosed without written consent. E & OE</small>				<small>Not to Scale</small> <small>Drawn By SA</small> <small>Sheet No. 2/2</small>