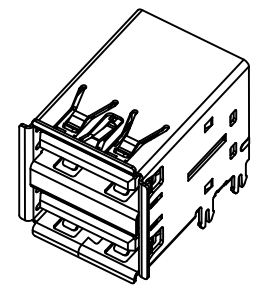
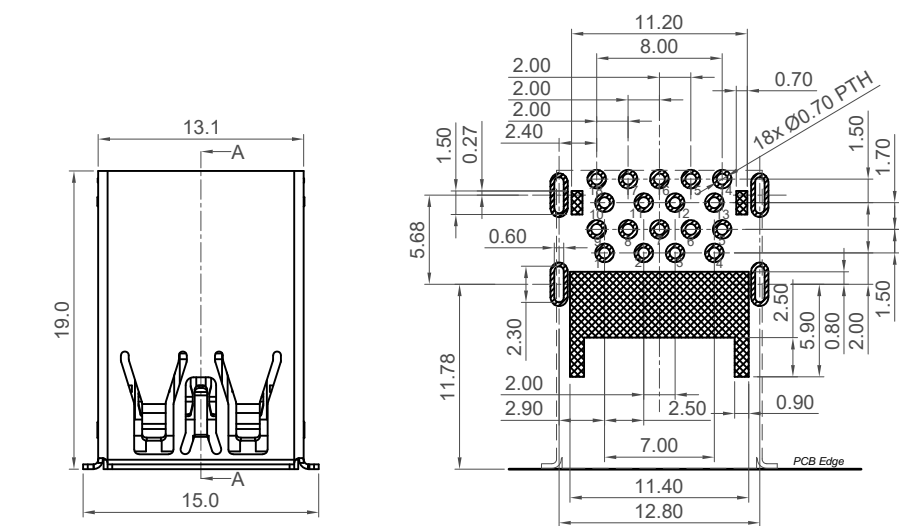
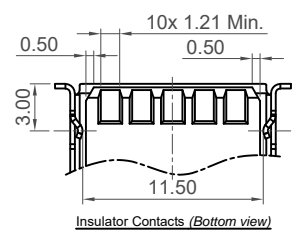
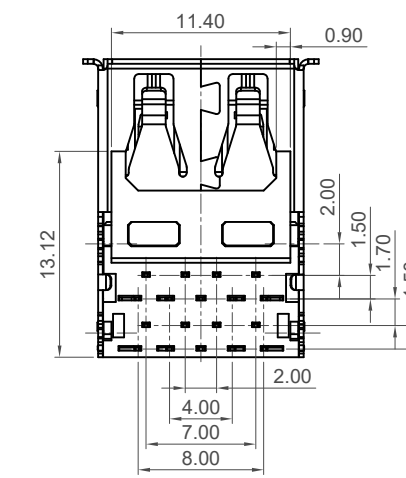
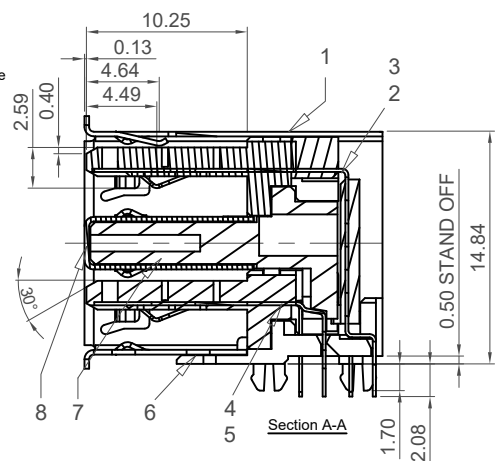
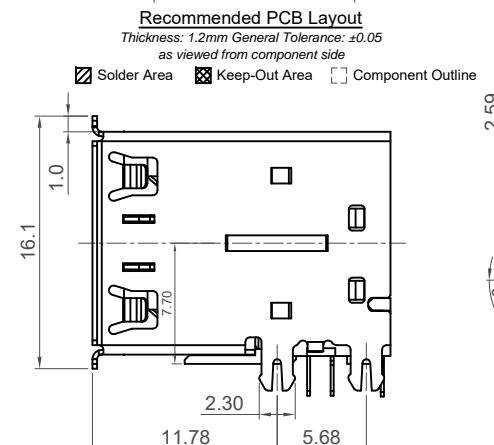
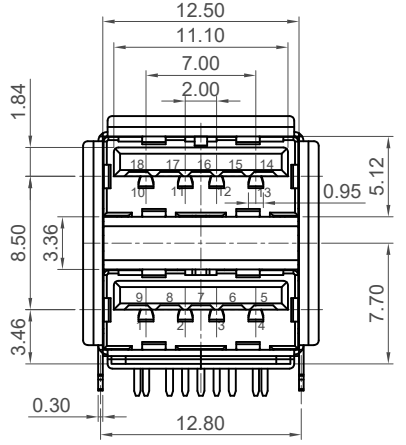


H
G
F
E
D
C
B
A



No.	Part Name	Material	Finish	Q'ty
1	Cover	SUS201	Ni Plating	1
2	Top Housing	PA9T		1
3	Top Pin	C5210 EH	Au Plating	1
4	Bottom Housing	PA9T		1
5	Bottom Pin	C5210 EH	Au Plating	1
6	Base	PA9T		1
7	Spacer	PA9T		1
8	Mid-Plate	SUS201	Degrease	



Ordering Grid
USB1100 - 30 - A Request Samples and Quotation
 Contact Plating
 30 = 30µ" Gold
 Packing Options
 A = Tape & Reel
 (200 per reel)

Designed to comply with physical, electrical and environmental requirements of full size USB Standard Compliance (USB3.0).

PIN LAYOUT				
Bottom Socket Pin No.	Top Socket Pin No.	SIGNAL NAME	DESCRIPTION	MATING SEQUENCE
1	10	VBUS	Power	Second
2	11	D-	USB2.0 Differential pair	Third
3	12	D+		
4	13	GND	Ground for power return	Second
5	14	StdA_SSRX-	Superspeed receiver differential pair	Last
6	15	StdA_SSRX+		
7	16	GND_DRAIN	Ground for signal return	Last
8	17	StdA_SSTX-	Superspeed transmitter differential pair	
9	18	StdA_SSTX+		
SHELL	SHELL	SHIELD	Connector metal shell	First

Specifications

Material
 Plastic Housing: PA9T, UL94V-0, Blue
 Terminal: Copper Alloy
 Metallic Shell: SUS201 (T=0.30mm)

Plating (See table above for more info)
 Terminal:
 Contact Area: Gold (See ordering grid)
 Solder Tails: 80µ" min. Tin
 Underplating : 50µ" min. Nickel
 Metallic Shell : 50µ" min. Nickel

Electrical
 Voltage Rating: 100 V AC
 Current Rating:
 0.25A (Signal Pins 2,3,5,6,7,8,9)
 1.8A (Power Pins 1,4)
 Operating Temperature: -55°C to +85°C
 Contact Resistance: 30 mΩ max.
 Insulating Resistance: 1000 MΩ min.
 Dielectric Withstand Voltage: 500V AC/minute

Mechanical & Environmental
 Mating Force: 35N max.
 Unmating Force: 10N min. initial, 8N min. after test
 Durability: 5000 Cycles

Part Number		Product Description	
USB1100		USB 3.0 Dual Receptacle, Full Size, Type A, Top Mount, Horizontal, Through-Hole	
Drawing Date		20th February 2013	
By	CC	Tolerances (Except as Noted)	Units:
Detail	USB1100 C PCN	X. ± 0.50 XX ± 0.38 XXX ± 0.20 XXXX ± 0.10	Metric (mm)
Revision	C2	± 2°	
Date	15/02/22		

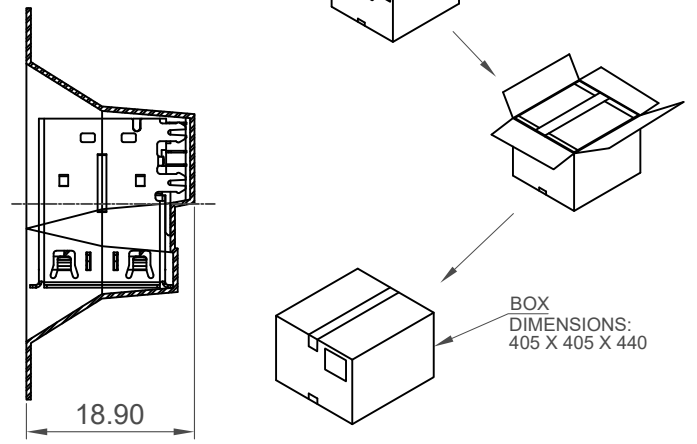
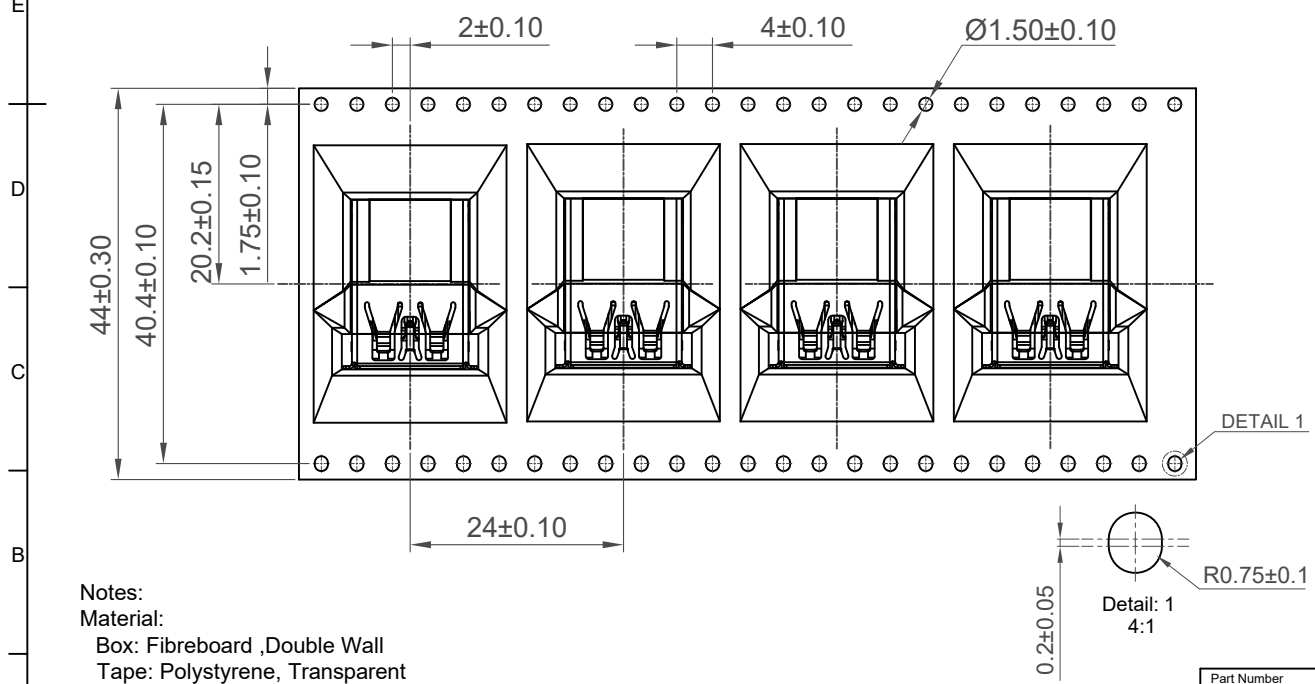
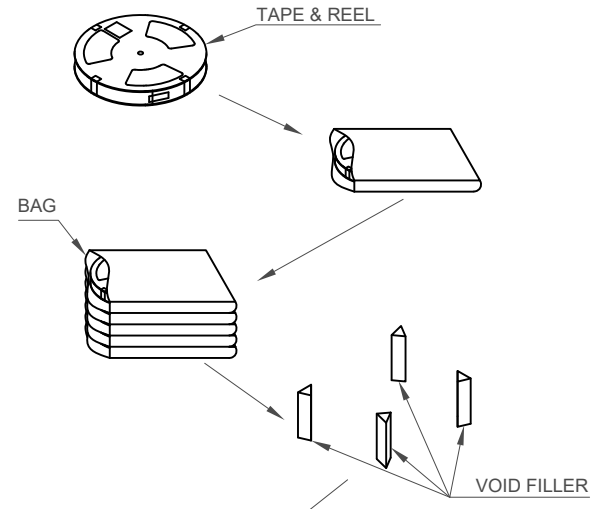
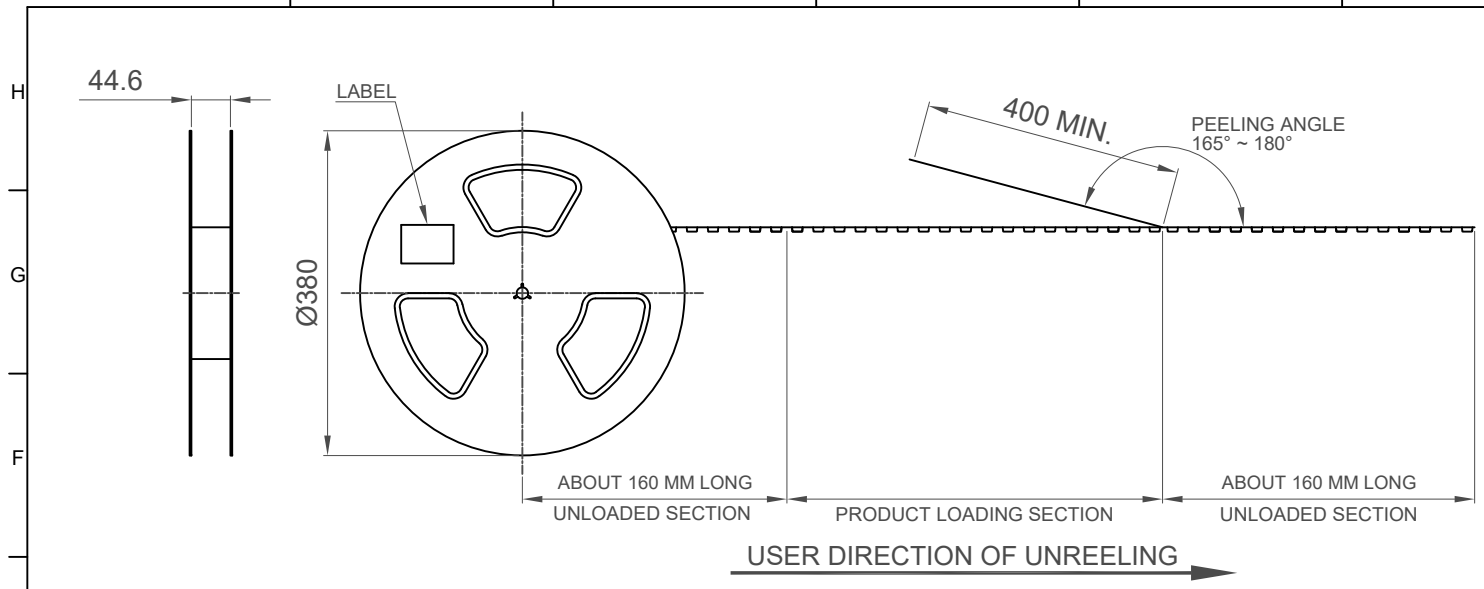


This drawing is confidential and copyright of Global Connector Technology, Ltd (GCT). This drawing must not be copied or disclosed without written consent. E & OE



Not to Scale	Drawn By AJO	Sheet No. 1/2
--------------	--------------	---------------

1 2 3 4 5 6 7 8



Notes:
 Material:
 Box: Fibreboard ,Double Wall
 Tape: Polystyrene, Transparent
 Heat Resistant Temperature: 120°C
 Reel: Polystyrene, Blue
 Heat Resistant Temperature: 70°C
 Bag: Polyethylene ,Heat Resistant Temperature: 100°C

Packing Spec
 1. Peeling strength: 0.1N~1.3N (10~130grams)
 2. Peeling Speed: 300 mm/min
 3. Each bag will include desiccant.

Products P/N	PCS/Reel	Reels/Carton	PCS/Carton
USB1100	200	8	1600

Part Number USB1100		Product Description USB 3.0 Dual Receptacle, Full Size, Type A, Top Mount, Horizontal, Through-Hole	
Drawing Date 20th February 2013			
By CC	Tolerances (Except as Noted) Length	Units: Metric (mm)	 <small>This drawing is confidential and copyright of Global Connector Technology, Ltd (GCT). This drawing must not be copied or disclosed without written consent. E & OE</small>
Detail USB1100 C PCN	Angle		
Revision C2	-	-	
Date 15/02/22	-	-	

Not to Scale Drawn By AJO Sheet No. 2/2