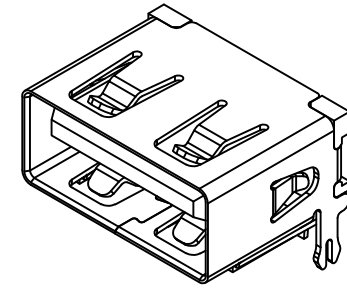


Recommended PCB Layout
Tolerance: ±0.05mm

PCB Edge



Specifications

Material

Insulator: PA9T, Black, UL94V-0
Contact: Copper Alloy
Shell: SK7

Plating

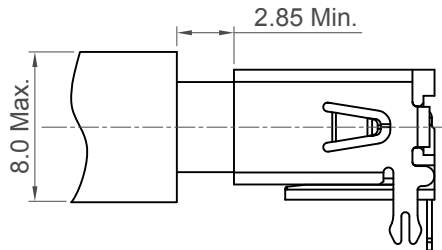
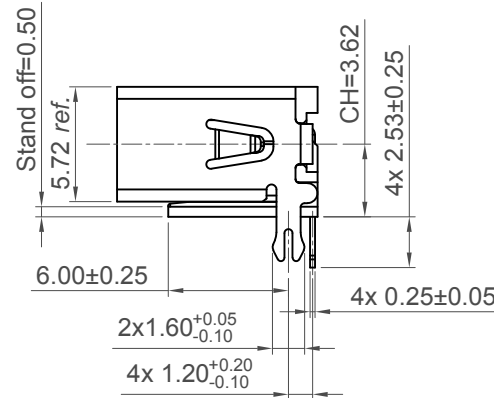
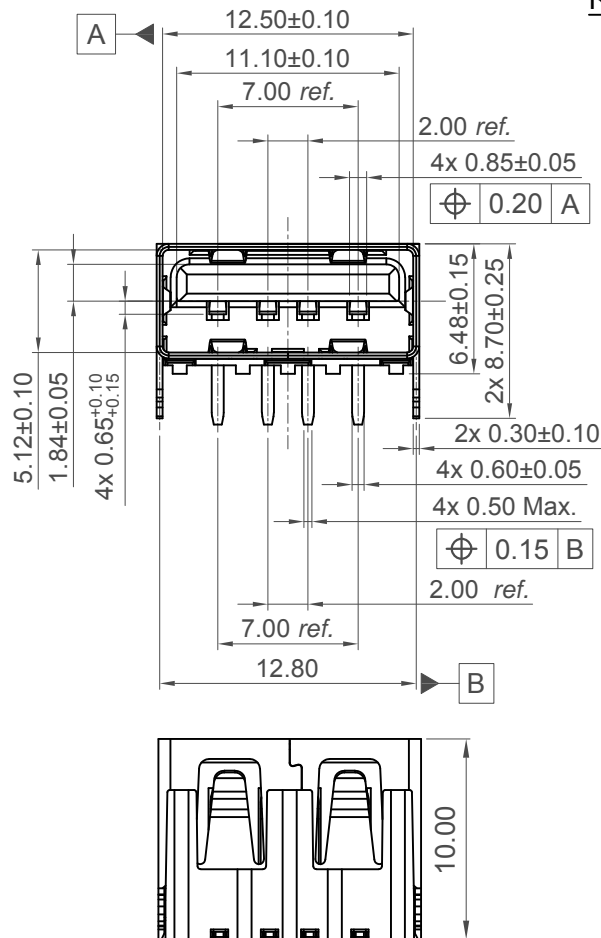
Contact:
Contact Area: Gold Flash
Solder Tails: 100u" min. Tin
Underplating: 50u" min. Nickel
Shell: 50u" min. Nickel Plating Overall

Electrical

Current Rating: 3.0 Amp
Voltage Rating: 30V rms max.
Contact Resistance: 30 mΩ max.
Insulation Resistance: 1000 MΩ min.
Dielectric Withstand Voltage: 500 V AC

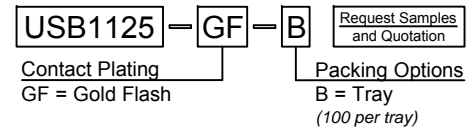
Mechanical & Environmental

Operating Temperature: -30°C to +85°C
Mating Force: 35N max.
Unmating Force: 10N min.
Durability: 5000 cycles



Mating View

Ordering Grid



Contact Plating
GF = Gold Flash

Packing Options
B = Tray
(100 per tray)

Part Number		Product Description	
USB1125		USB 2.0 Receptacle, Type A, Through Hole, Horizontal, Top Mount, Without Flange	
Drawing Date		12th June 2020	
By	CC	Tolerances (Except as Noted)	Units:
Detail	Drawing Release	Length	Metric (mm)
Revision	A1	X.X ± 0.50	3rd Angle Projection
Date	08/01/21	X.XX ± 0.30	± 2°
		X.XXX ± 0.20	

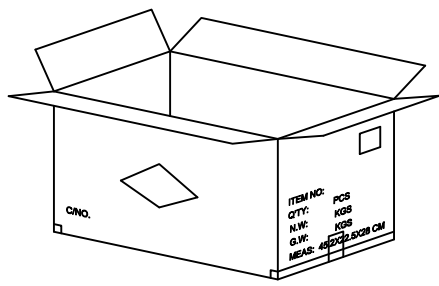
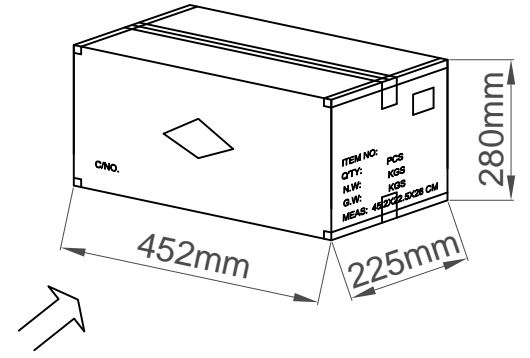
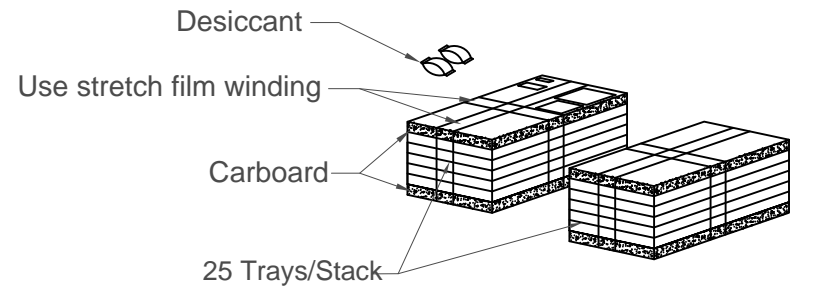
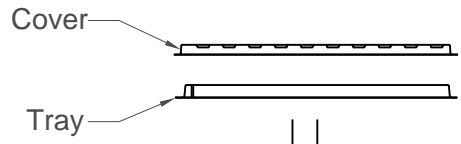
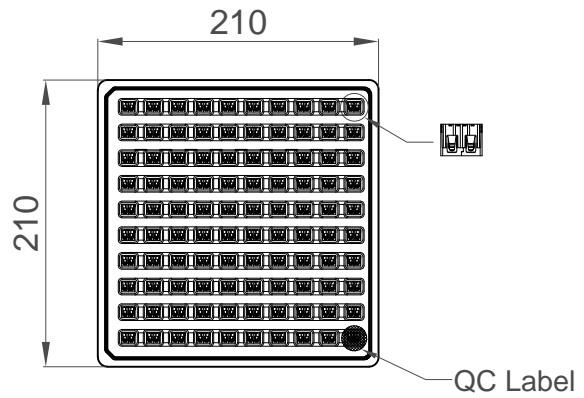


This drawing is confidential and copyright of Global Connector Technology, Ltd (GCT). This drawing must not be copied or disclosed without written consent. E & OE



Not to Scale	Drawn By CC	Sheet No. 1/2
--------------	----------------	------------------

H
G
F
E
D
C
B
A



PCS/Tray	Trays/Carton	PCS/Carton
100	25	5000

Part Number USB1125		Product Description USB 2.0 Receptacle, Type A, Through Hole, Horizontal, Top Mount, Without Flange	
Drawing Date 12th June 2020			
By CC	Drawing Release A1	Tolerances (Except as Noted) Length X.X ± 0.50 Angle X.XX ± 0.30 X.XXX ± 0.20	Units: Metric (mm)
Revision Date 08/01/21		± 2°	3rd Angle Projection



This drawing is confidential and copyright of Global Connector Technology, Ltd (GCT). This drawing must not be copied or disclosed without written consent. E & OE



Not to Scale	Drawn By CC	Sheet No. 2/2
--------------	----------------	------------------

1 2 3 4 5 6 7 8