

Recommended PCB Layout
 Thickness=1.6mm Tolerance:±0.05mm

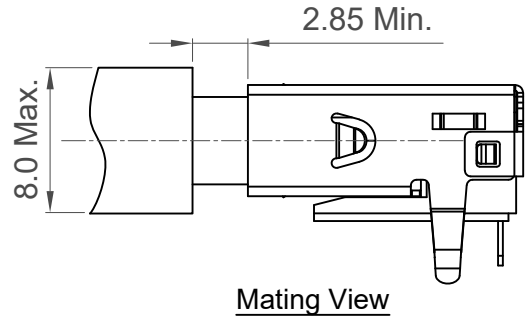
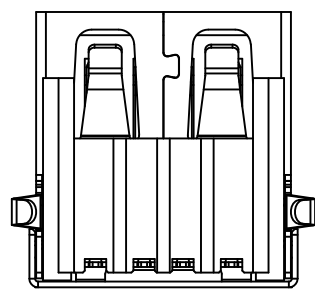
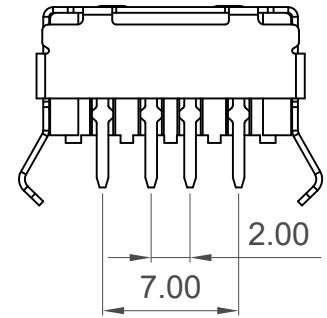
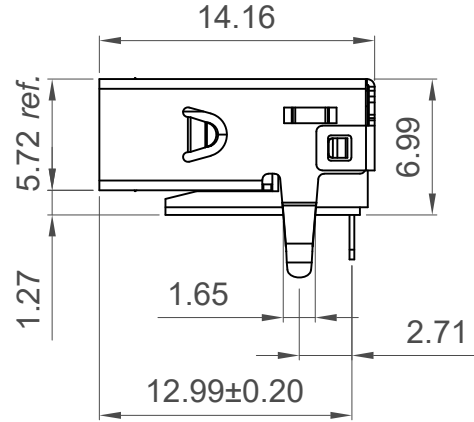
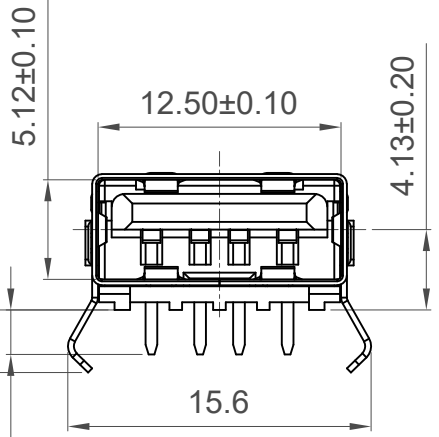
Specifications

Material
 Insulator: LCP, E130i, UL94V-0, Black
 Contact: C2680
 Shell: SUS304

Plating
 Terminal:
 Contact Area: See Ordering Grid
 Solder Area: 100-150u" Tin
 Underplating: 50-100u"Nickel
 Shell: 50-120u"Nickel

Electrical
 Current Rating: 3.0 Amp
 Voltage Rating: 30V
 Contact Resistance: 30 mΩ max.
 Insulation Resistance: 1000 MΩ min.
 Dielectric Withstand Voltage: 500 V AC

Mechanical & Environmental
 Operating Temperature: -40°C to +85°C
 Mating Force: 35N max.
 Unmating Force: 10N min.
 Durability: 10000 cycles



Ordering Grid

USB1130 - XX - A Request Samples and Quotation

Contact Plating
 15 = 15u" Gold (standard)
 GF = Gold Flash
 30 = 30u" Gold

Packing Options
 A = Tape & Reel (230pcs/Reel)

Part Number		Product Description	
USB1130		USB 2.0 Receptacle, Type A, 4 Pin, Through Hole, Horizontal, Top Mount, Without Flange	
Drawing Date		6th August 2020	
By	CC	Tolerances (Except as Noted)	Units:
Detail	Drawing Release	Length	Metric (mm)
Revision	A2	X.X ± 0.35	X ° ± 3°
Date	10/01/23	X.XX ± 0.25	X.X° ± 1.5°
		3rd Angle Projection	



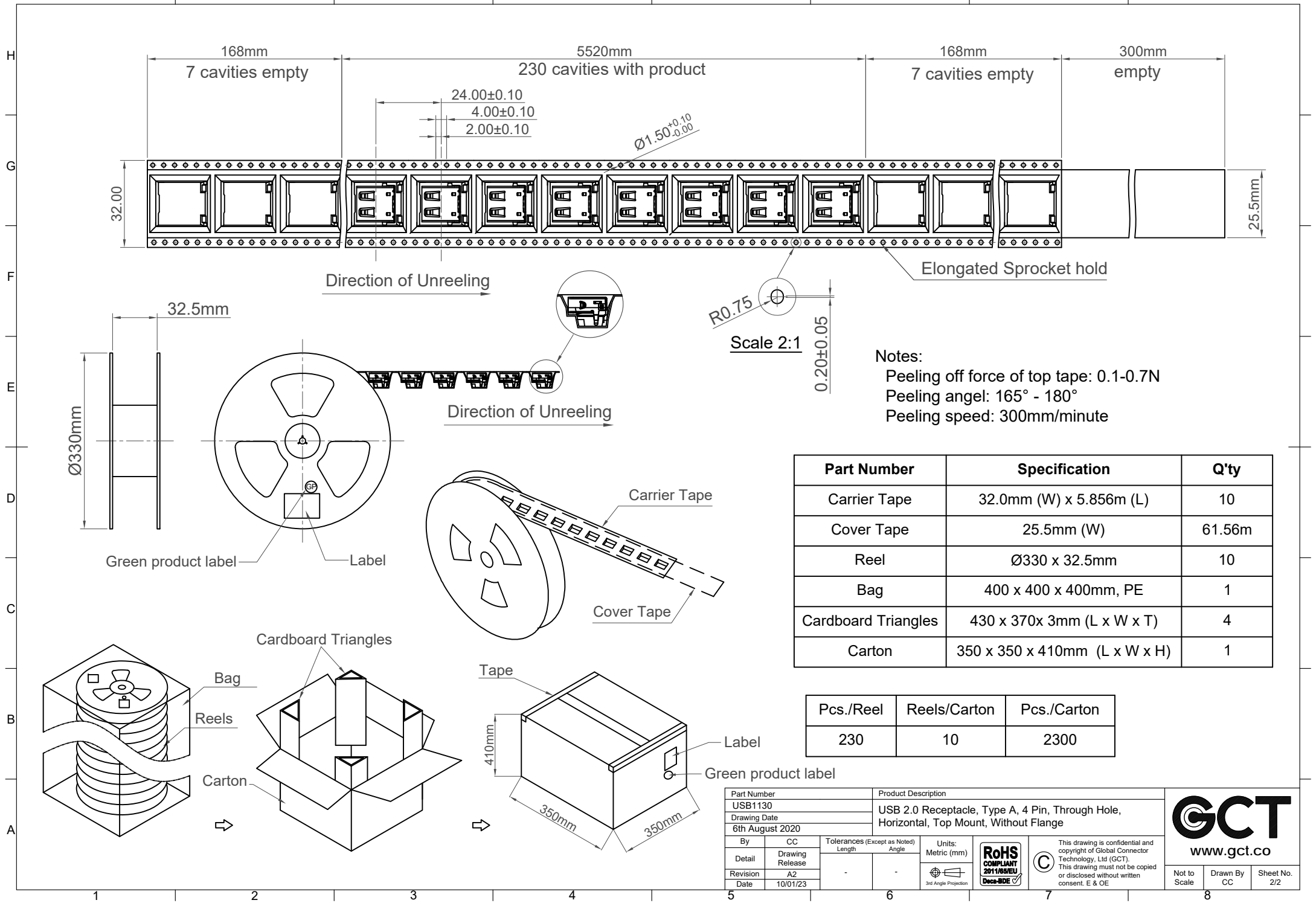
This drawing is confidential and copyright of Global Connector Technology, Ltd (GCT). This drawing must not be copied or disclosed without written consent. E & OE



Not to Scale	Drawn By CC	Sheet No. 1/2
--------------	-------------	---------------

H
G
F
E
D
C
B
A

1 2 3 4 5 6 7 8



Notes:
 Peeling off force of top tape: 0.1-0.7N
 Peeling angle: 165° - 180°
 Peeling speed: 300mm/minute

Part Number	Specification	Q'ty
Carrier Tape	32.0mm (W) x 5.856m (L)	10
Cover Tape	25.5mm (W)	61.56m
Reel	Ø330 x 32.5mm	10
Bag	400 x 400 x 400mm, PE	1
Cardboard Triangles	430 x 370x 3mm (L x W x T)	4
Carton	350 x 350 x 410mm (L x W x H)	1

Pcs./Reel	Reels/Carton	Pcs./Carton
230	10	2300

Part Number USB1130		Product Description USB 2.0 Receptacle, Type A, 4 Pin, Through Hole, Horizontal, Top Mount, Without Flange	
Drawing Date 6th August 2020			
By CC	Detail Drawing Release	Tolerances (Except as Noted) Length	Angle
Revision A2	Date 10/01/23		
		Units: Metric (mm)	
			This drawing is confidential and copyright of Global Connector Technology, Ltd (GCT). This drawing must not be copied or disclosed without written consent. E & OE

GCT
www.gct.co

Not to Scale	Drawn By CC	Sheet No. 2/2
--------------	----------------	------------------