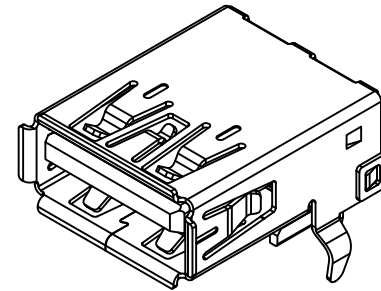
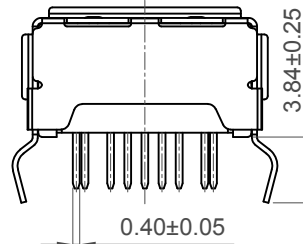
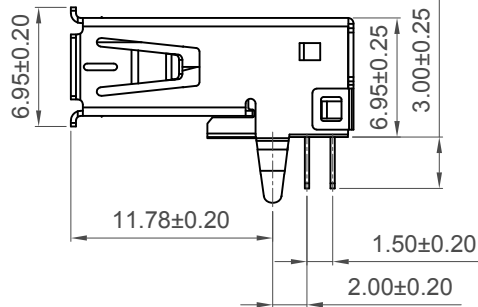


Recommended PCB Layout
Thickness=1.6mm Tolerance:±0.05mm



Specifications

Material

Insulator: See Ordering Grid, UL94 V-0
Contact: Copper Alloy, T=0.25mm
Shell: SUS304

Plating

Terminal:
Contact Area: See Ordering Grid
Solder Area: 100u" Tin
Underplating: 50u" Nickel
Shell: 50u" min. Nickel

Electrical

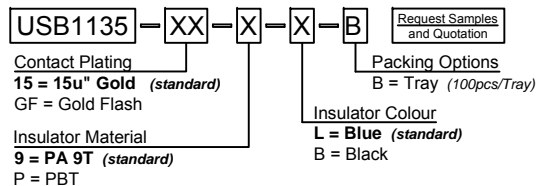
Voltage Rating: 30V
Current Rating: 0.25A (Signal Pins)
3.0A (Power and GND Pins)
Operating Temperature: -55°C to +85°C
Contact Resistance:
30 mΩ max. (Power Pins)
50 mΩ max. (Signal Pins)
Insulation Resistance: 100 MΩ min.
Dielectric Withstand Voltage: 100V R.M.S.

Mechanical:

Mating Force: 35N max.
Unmating Force: 10N min. Initial
8N. min. Final
Durability: 20000 cycles

Pin No.	Signal
1	VBUS
2	D-
3	D+
4	GND
5	SSRX-
6	SSRX+
7	GND
8	SSTX-
9	SSTX+

Ordering Grid



Part Number		Product Description	
USB1135		USB 3.0 Receptacle, Type A, Through Hole, Horizontal, Top Mount	
Drawing Date		6th August 2020	
By	CC	Tolerances (Except as Noted)	Units:
Detail	Drawing Release	Length	Metric (mm)
Revision	A1	X.X ± 0.50	
Date	21/08/20	X.XX ± 0.30	
		X.XXX ± 0.20	

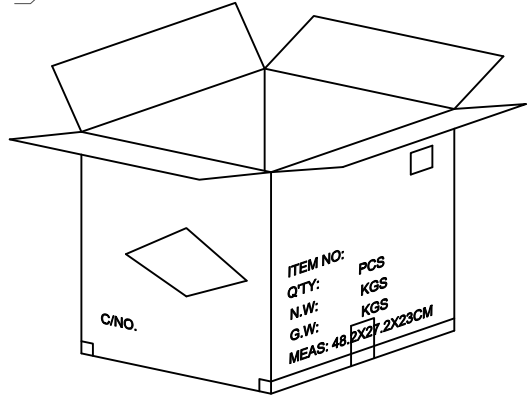
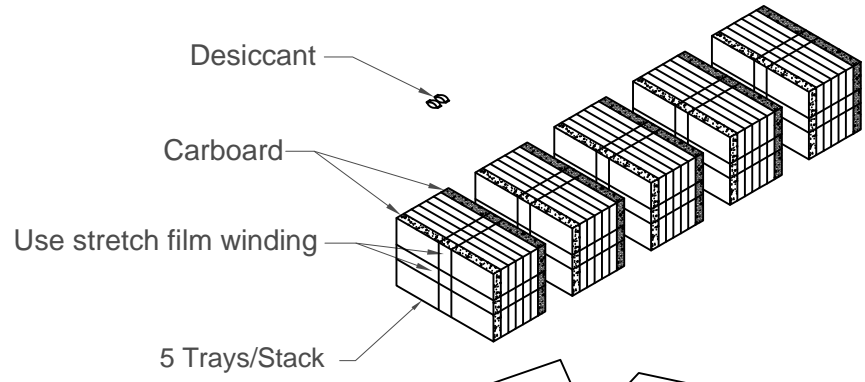
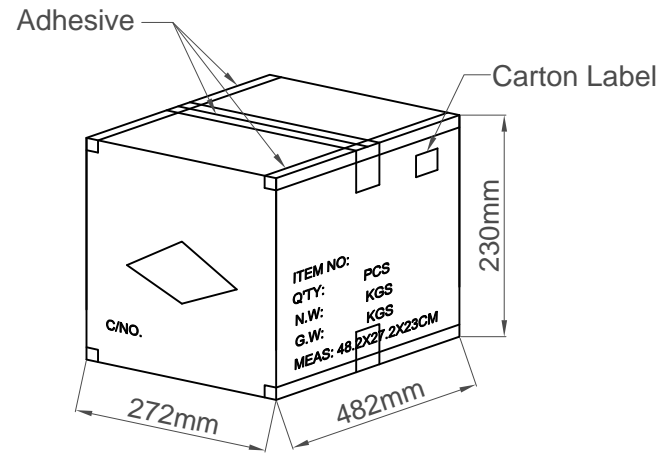
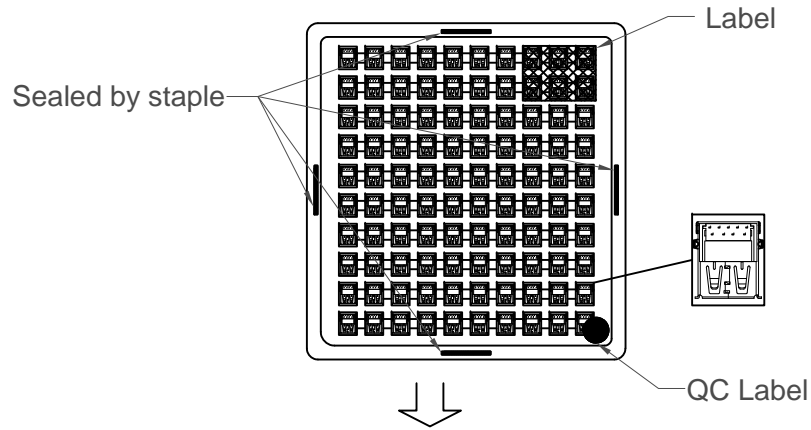
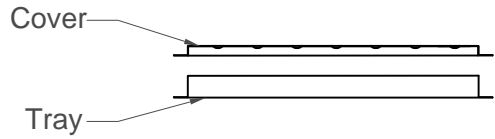


This drawing is confidential and copyright of Global Connector Technology, Ltd (GCT). This drawing must not be copied or disclosed without written consent. E & OE



Not to Scale	Drawn By CC	Sheet No. 1/2
--------------	-------------	---------------

H
G
F
E
D
C
B
A



PCS/Tray	Trays/Carton	PCS/Carton
100	30	3000

Part Number USB1135		Product Description USB 3.0 Receptacle, Type A, Through Hole, Horizontal, Top Mount	
Drawing Date 6th August 2020			
By CC	Detail Drawing Release	Tolerances (Except as Noted) Length X.X ± 0.50 X.XX ± 0.30 X.XXX ± 0.20	Units: Metric (mm)
Revision A1	Date 21/08/20	± 2°	3rd Angle Projection



This drawing is confidential and copyright of Global Connector Technology, Ltd (GCT). This drawing must not be copied or disclosed without written consent. E & OE



Not to Scale
Drawn By
CC
Sheet No.
2/2

1 2 3 4 5 6 7 8