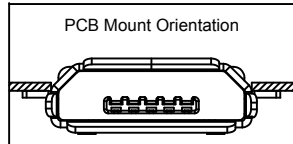
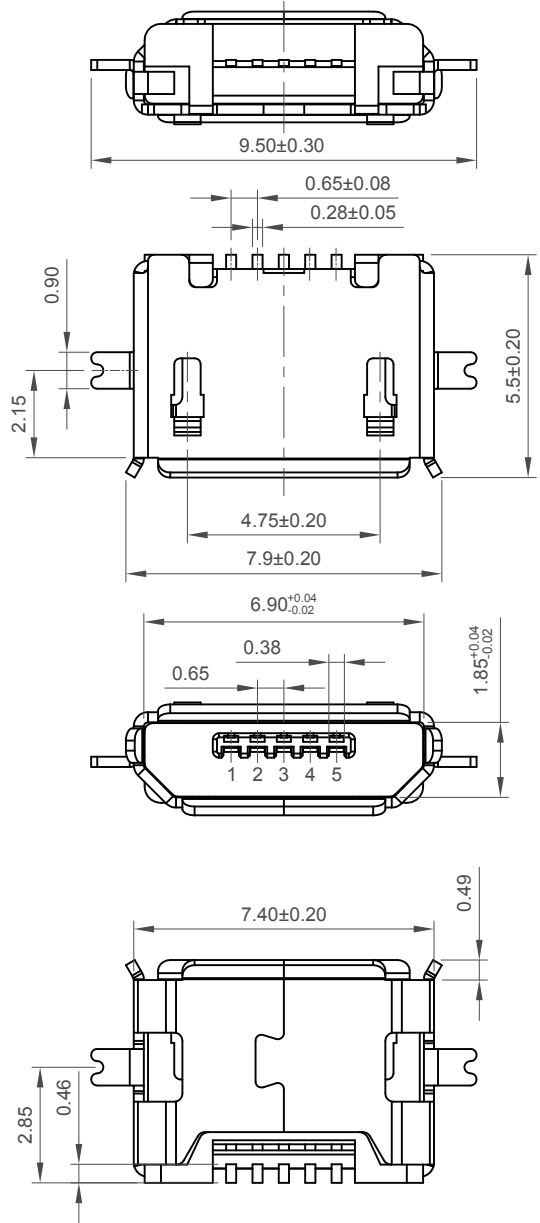
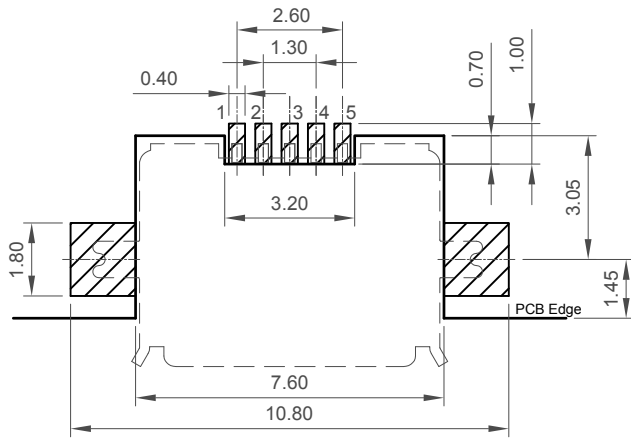


H  
G  
F  
E  
D  
C  
B  
A



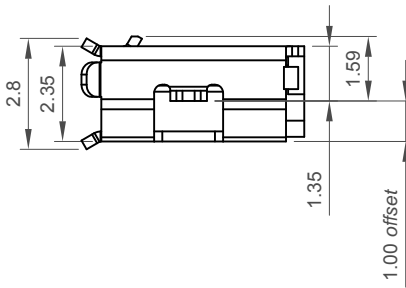
Designed to comply with physical, electrical and environmental requirements of Micro USB Standard (USB2.0).



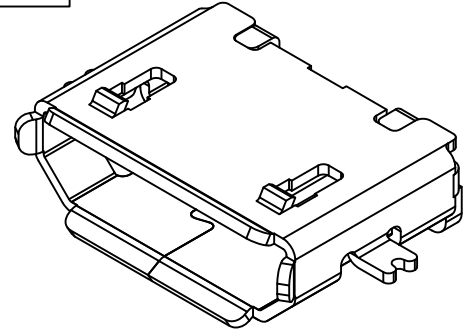
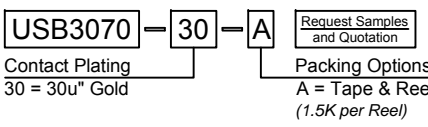
**Recommended PCB Layout**

as viewed from component side General Tolerance: ±0.05

▨ Solder Area □ Component Outline



**Ordering Grid**



**Specifications**

**Material**  
 Plastic Housing: LCP, UL94V-0, Black  
 Contact Terminal: Copper Alloy  
 Metallic Shell: Stainless Steel SUS 304 T = 0.25mm

**Plating**  
 Underplating: 50µ" Nickel  
 Contact Area: 30µ" Gold plating  
 Solder Tails: Gold Flash  
 Metallic Shell: Matte Tin

**Electrical**  
 Voltage Rating: 30 V AC  
 Current Rating: Signal (Pins 2,3,4): 1.0 A.  
 Power (Pins 1,5): 1.8A.  
 Operating Temperature: -30°C to +85°C  
 Contact Resistance: 30 mΩ max.  
 Insulating Resistance: 1000 MΩ min.  
 Dielectric Withstand Voltage: 500V AC/minute

**Mechanical & Environmental**  
 Mating Force: 35N max.  
 Unmating Force: Initial 10N min.  
 Final 8N min after durability test  
 Durability: 10,000 Cycles

Part Number		Product Description	
USB3070		Micro USB Receptacle, Type B, Mid-Mount SMT, Right Angled, Bottom Mount, 1.00mm Offset, Without Peg	
Drawing Date		4th April 2011	
By	CC	Tolerances (Except as Noted)	Units:
Detail	USB3070	Length	Metric (mm)
Revision	E PCN	Angle	
Date	E4	X.X ± 0.4	X.X° ± 2°
	05/12/17	X.XX ± 0.25	X.XX ± 1°
		X.XXX ± 0.05	X.XXX ± 0.5°

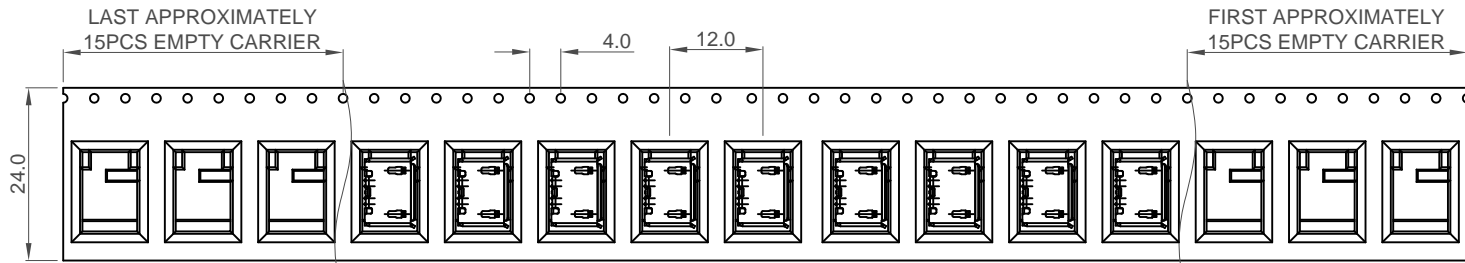


This drawing is confidential and copyright of Global Connector Technology, Ltd (GCT). This drawing must not be copied or disclosed without written consent. E & OE

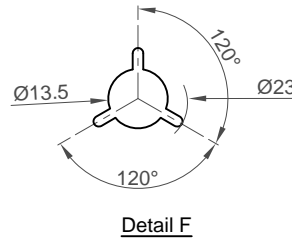
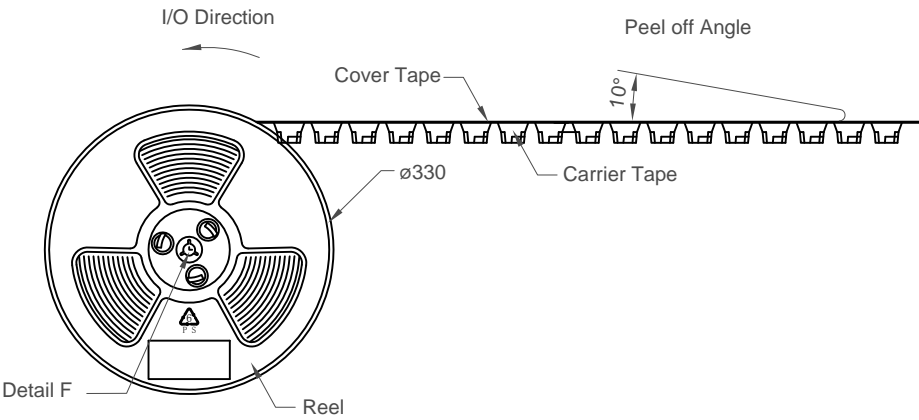


Not to Scale	Drawn By SA	Sheet No. 1/2
--------------	-------------	---------------

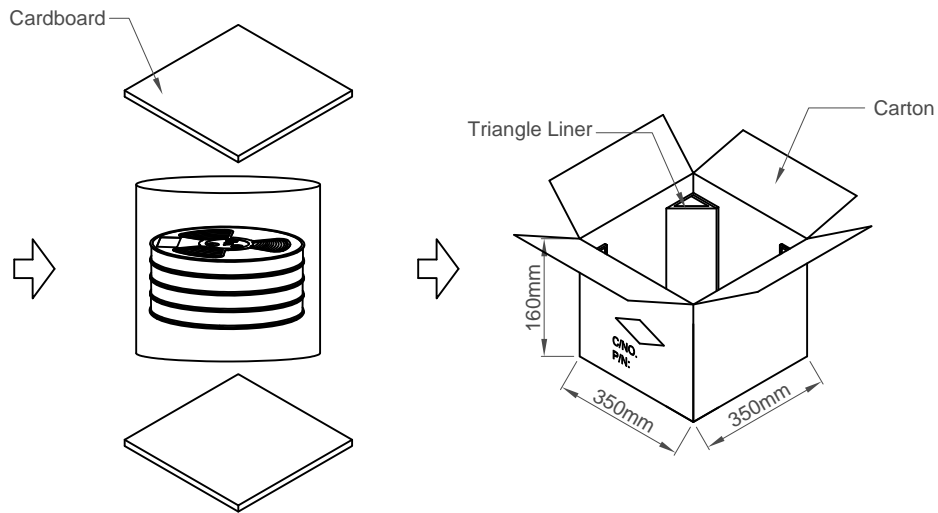
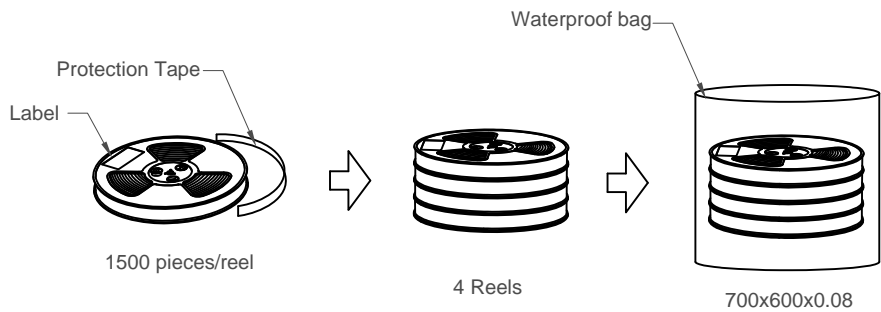
1 2 3 4 5 6 7 8



Products P/N	PCS/Reel	Reels/Carton	PCS/Carton
USB3070	1500	4	6000



- Notes:
1. Peeling off force of top tape: 0.1-1.3N
  2. Part Conforms to EIA-481-C Standards
  3. All dimensions in millimeters
  4. 10 sprocket hole pitch cumulative tolerance±0.2mm



Part Number		Product Description	
USB3070		Micro USB Receptacle, Type B, Mid-Mount SMT,	
Drawing Date		Right Angled, Bottom Mount, 1.00mm Offset, Without Peg	
4th April 2011			
By	CC	Tolerances (Except as Noted)	Units:
Detail	USB3070	Length	Metric (mm)
	E PCN	Angle	
Revision	E4		
Date	05/12/17		



This drawing is confidential and copyright of Global Connector Technology, Ltd (GCT). This drawing must not be copied or disclosed without written consent. E & OE



Not to Scale  
 Drawn By SA  
 Sheet No. 2/2

H  
G  
F  
E  
D  
C  
B  
A

1 2 3 4 5 6 7 8