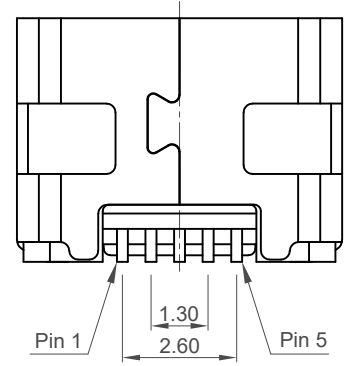
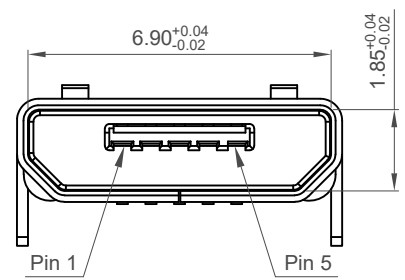
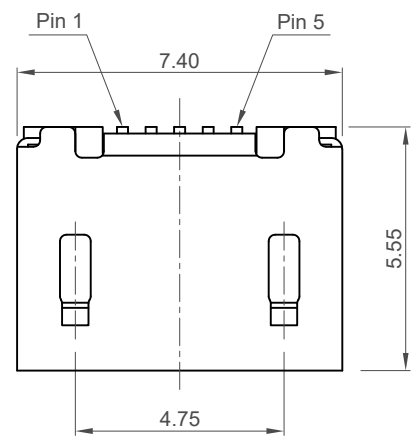
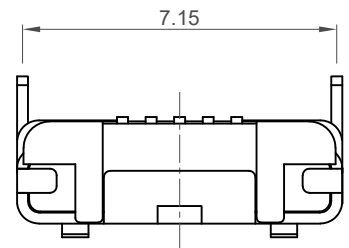
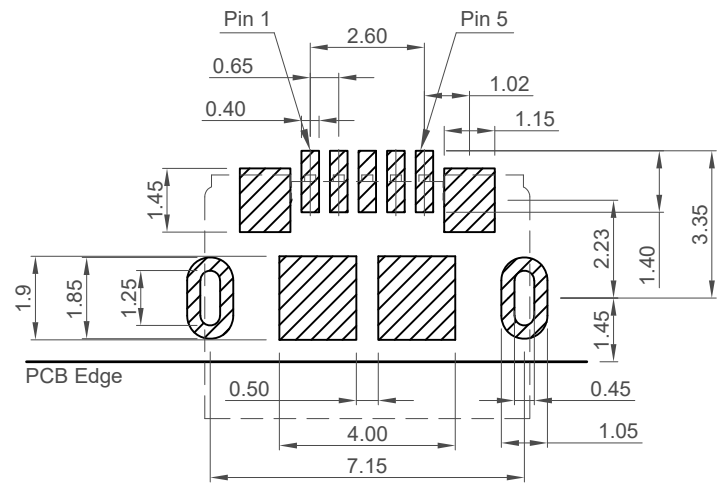
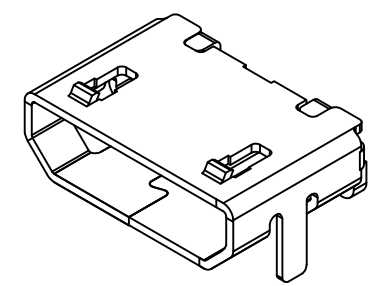
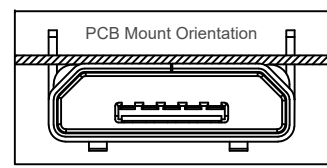


H  
G  
F  
E  
D  
C  
B  
A



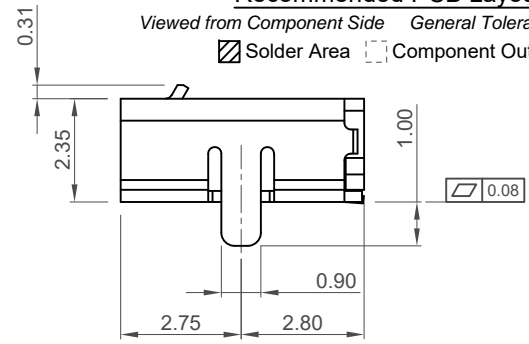
Designed to comply with physical, electrical and environmental requirements of Micro USB Standard (USB2.0).



**Recommended PCB Layout**

Viewed from Component Side General Tolerance: ±0.05

▨ Solder Area □ Component Outline



**Ordering Grid**

**USB3076** — **30** — **A** [Request Samples and Quotation](#)

Contact Plating  
30 = 30u" Gold

Packing Options  
A = Tape & Reel  
(1.5K per Reel)

**Specifications**

**Materials**

Plastic Housing: LCP, UL94V-0, Black  
Contact Terminal: Copper Alloy  
Metallic Shell: Stainless Steel, SUS304, T= 0.25mm

**Plating**

Underplating: 50µ" Nickel  
Contact Area: 30µ" Gold  
Solder Tails: Gold Flash  
Metallic Shell: Matte Tin

**Electrical**

Voltage Rating: 30V AC  
Current Rating: Signal(Pins 2,3,4):1.0 A.  
Power (Pins 1,5):1.8A.  
Operating Temperature: -30°C to +85°C  
Contact Resistance: 30 mΩ max.  
Insulating Resistance: 1000 MΩ min.  
Dielectric Withstand Voltage: 500V AC/minute

**Mechanical & Environmental**

Mating Force: 35N max.  
Unmating Force: Initial 10N min.  
Final 8N min after durability test.  
Durability: 10,000 Cycles

Part Number		Product Description	
USB3076		Micro USB Receptacle, Type B, SMT, Horizontal, Bottom Mount w/out Peg, w/Outer Shell Stakes, w/out Mating Face Lead-In	
Drawing Date		26th August 2011	
By	CC	Tolerances (Except as Noted)	Units:
Detail	USB3076	Length	Metric (mm)
Revision	C PCN	Angle	
Date	C6	X.X ± 0.30	X.X° ± 2°
	17/07/23	X.XX ± 0.20	X.XX° ± 1°
		X.XXX ± 0.10	X.XXX° ± 0.5°

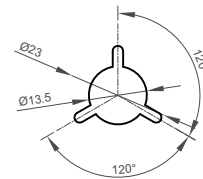
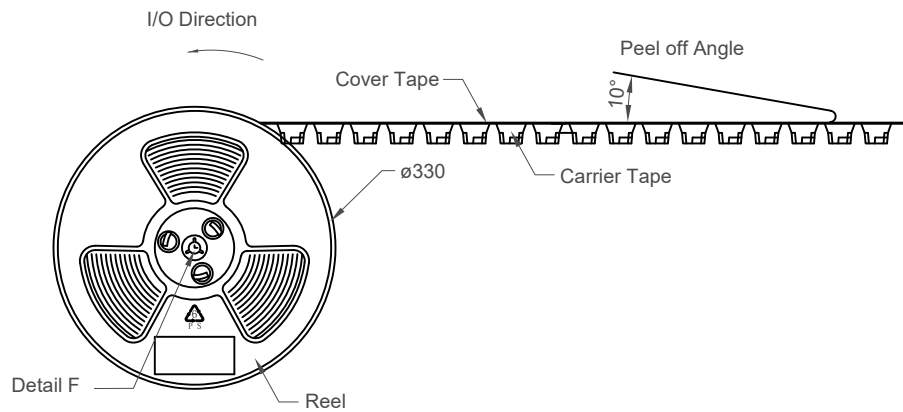
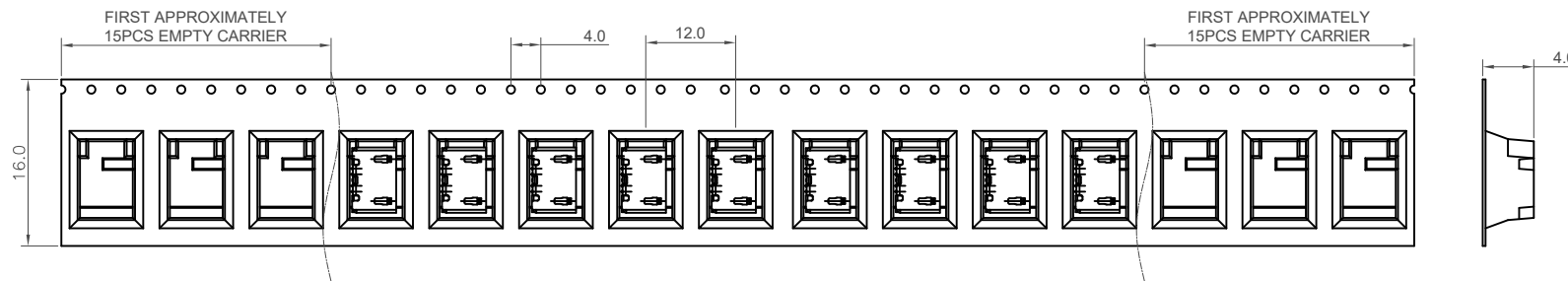


This drawing is confidential and copyright of Global Connector Technology, Ltd (GCT). This drawing must not be copied or disclosed without written consent. E & OE



Not to Scale	Drawn By ASE	Sheet No. 1/2
--------------	--------------	---------------

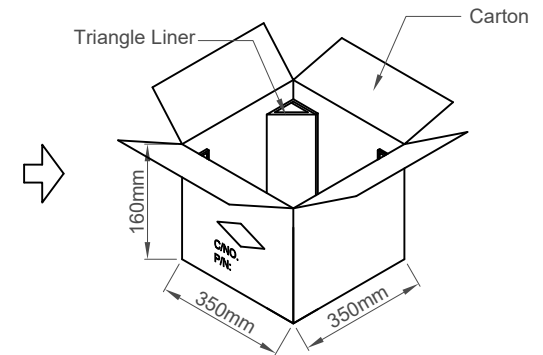
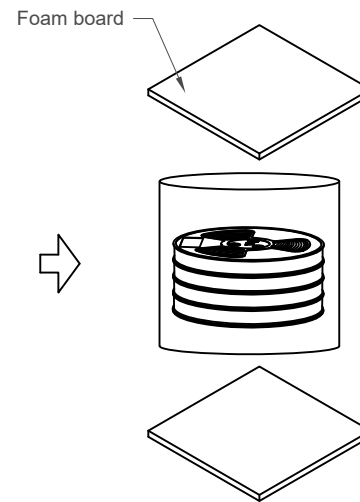
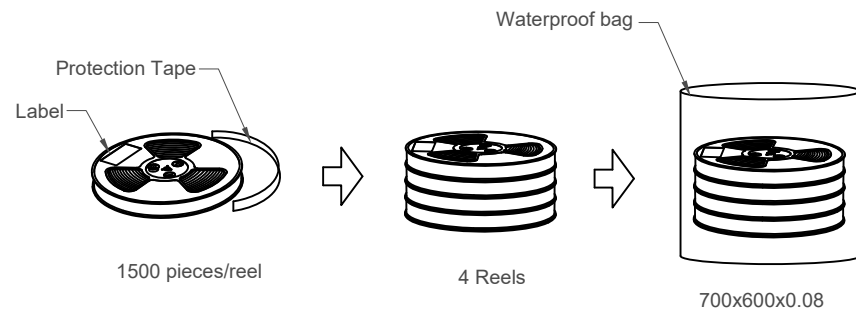
1 2 3 4 5 6 7 8



Products P/N	PCS/Reel	Reels/Carton	PCS/Carton
USB3076	1500	4	6000

Notes:

1. Peeling off force of top tape: 0.1-1.3N
2. Part Conforms to EIA-481-C Standards
3. All dimensions in millimeters
4. 10 sprocket hole pitch cumulative tolerance±0.2mm



Part Number		Product Description	
USB3076		Micro USB Receptacle, Type B, SMT, Horizontal, Bottom Mount w/out Peg, w/Outer Shell Stakes, w/out Mating Face Lead-In	
Drawing Date		26th August 2011	
By	CC	Tolerances (Except as Noted)	Units:
Detail	USB3076 C PCN	Length X.X ± 0.30 X.XX ± 0.20 X.XXX ± 0.10	Metric (mm)
Revision	C6	Angle X.X° ± 2° X.XX° ± 1° X.XXX° ± 0.5°	3rd Angle Projection
Date	17/07/23		



This drawing is confidential and copyright of Global Connector Technology, Ltd (GCT). This drawing must not be copied or disclosed without written consent. E & OE



Not to Scale	Drawn By ASE	Sheet No. 2/2
--------------	--------------	---------------