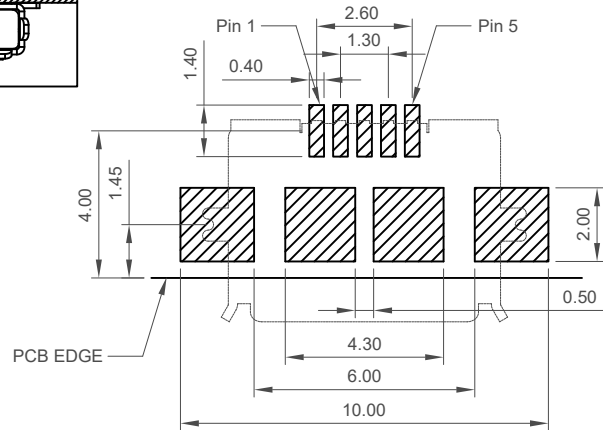
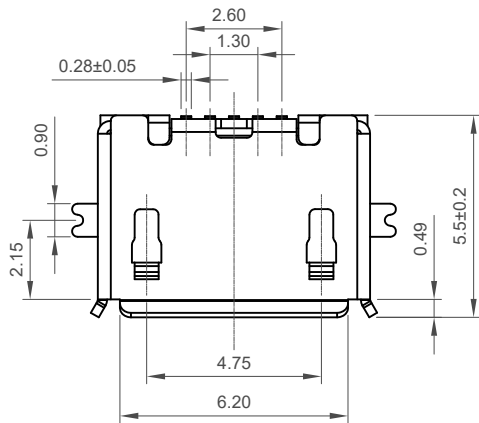
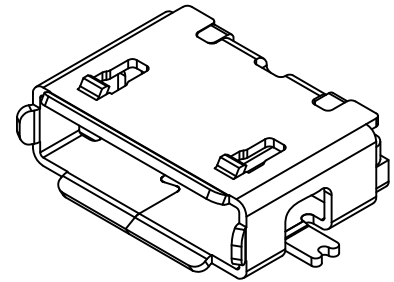
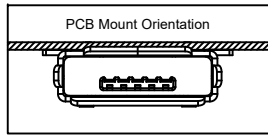


Designed to comply with physical, electrical and environmental requirements of Micro USB Standard (USB2.0), A/B types support USB On-The-GO (OTG) interface.



**Specifications 规格:**

**Materials 材料:**

Plastic Housing 塑胶外壳: LCP, UL94V-0, Black; LCP, UL94V-0 黑色  
 Contact Terminal 接触端子: Copper Alloy 铜合金  
 Metallic Shell 金属外壳: Stainless Steel 不锈钢 SUS 304 T = 0.25mm

**Plating 电镀:**

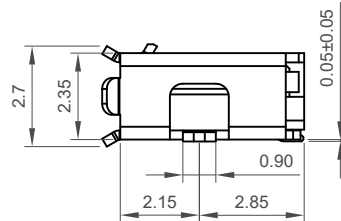
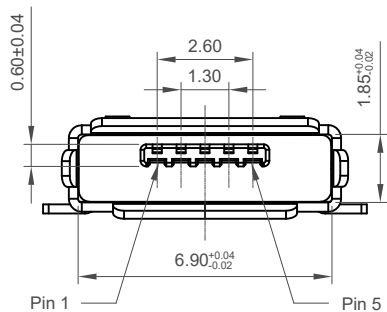
Underplating 底层电镀: 50µ" Nickel, 50µ" 镍  
 Finish 表面处理: Contact Area 接触面积: 30µ" Gold plating, 30µ" 镀金  
 Solder Tails 焊接末端: Gold Flash 镀金  
 Metallic Shell 金属外壳: Matte Tin 雾锡

**Electrical 电气规格:**

Voltage Rating 电压额定值: 30V AC  
 Current Rating 电流额定值: Signal(Pins 2,3,4)信号: 1.0 A.  
 Power (Pins 1,5)电源: 1.8A.  
 Operating Temperature 工作温度: -30°C to +85°C  
 Contact Resistance 接触电阻值: 30mΩ Max.  
 Insulating Resistance 绝缘电阻值: 1000MΩ Min.  
 Dielectric Withstand Voltage 耐电压: 500V AC/Minute

**Mechanical 机械性规格:**

Mating Force 插入力: 35N Max.  
 Unmating Force 拔出力: Initial 10N min.  
 Final 8N min after durability test.  
 Durability 耐久性: 10,000 Cycles 次插拔

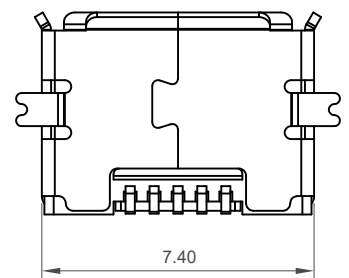


**RECOMMENDED P.C.B LAYOUT**

GENERAL TOLERANCE: ±0.05

AS VIEWED FROM COMPONENT SIDE

▨ Solder Area □ Component Outline



**Ordering Grid**

USB3085 - 30 - A

Request Samples and Quotation

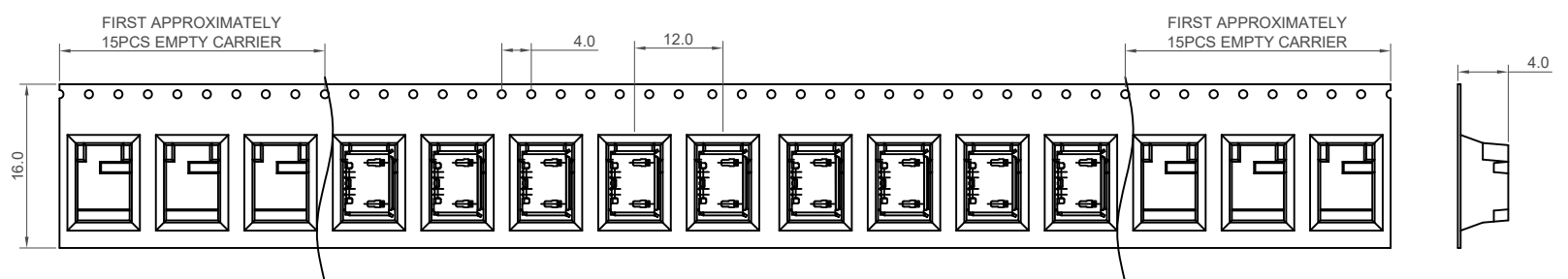
Packing Options  
 A = Tape & Reel  
 (1.5K per Reel)

Contact Plating  
 30 = 30µ" Gold

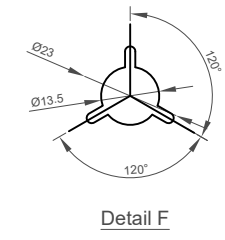
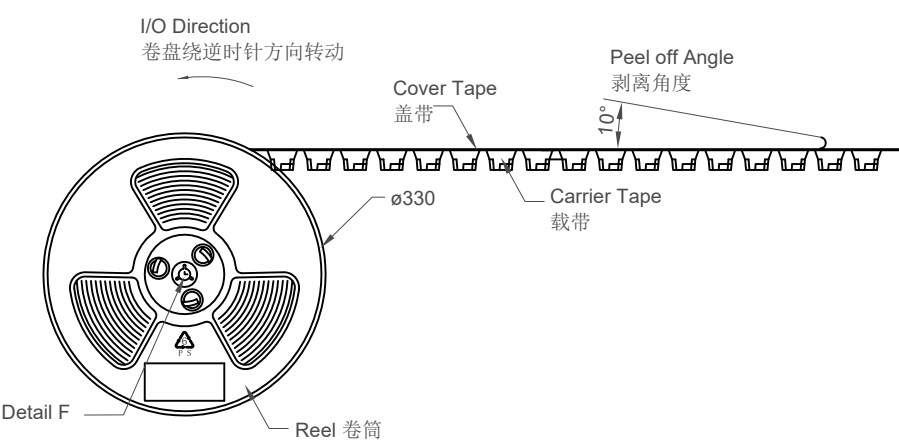
Part Number		Product Description	
USB3085		Micro USB Receptacle, Type AB, Surface Mount, Horizontal, Bottom Mount, Without Peg	
Drawing Date		4th April 2011	
By	CC	Tolerances (Except as Noted)	
Detail	USB3080	Length	Angle
Revision	D2	X.X ± 0.40	X.X° ± 2°
Date	15/02/17	X.XX ± 0.25	X.XX° ± 1°
		X.XXX ± 0.05	X.XXX° ± 0.5°
		Units:	Metric (mm)
		3rd Angle Projection	
		This drawing is confidential and copyright of Global Connector Technology, Ltd (GCT). This drawing must not be copied or disclosed without written consent. E & OE	

**GCT**  
www.gct.co

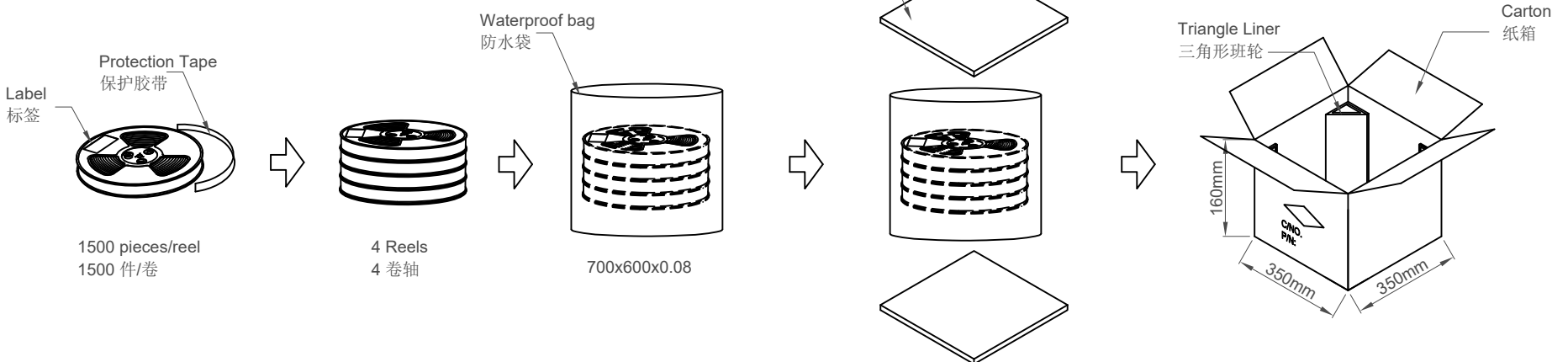
Not to Scale	Drawn By SA	Sheet No. 1/2
--------------	-------------	---------------



Products P/N	PCS/Reel	Reels/Carton	PCS/Carton
USB3085-30-A	1500	4	6000



- Notes注意:
1. Peeling off force of top tape: 0.1-1.3N
  2. Part Conforms to EIA-481-C Standards 产品符合EIA-481-C标准
  3. All dimensions in millimeters 所有尺寸均是毫米
  4. 10 sprocket hole pitch cumulative tolerance $\pm 0.2$ mm



Part Number		Product Description	
USB3085		Micro USB Receptacle, Type AB, Surface Mount, Horizontal, Bottom Mount, Without Peg	
Drawing Date		4th April 2011	
By	CC	Tolerances (Except as Noted)	
Detail	USB3080 D PCN	Length	Angle
Revision	D2	Units: Metric (mm)	
Date	15/02/17		



This drawing is confidential and copyright of Global Connector Technology, Ltd (GCT). This drawing must not be copied or disclosed without written consent. E & OE



Not to Scale	Drawn By SA	Sheet No. 2/2
--------------	-------------	---------------