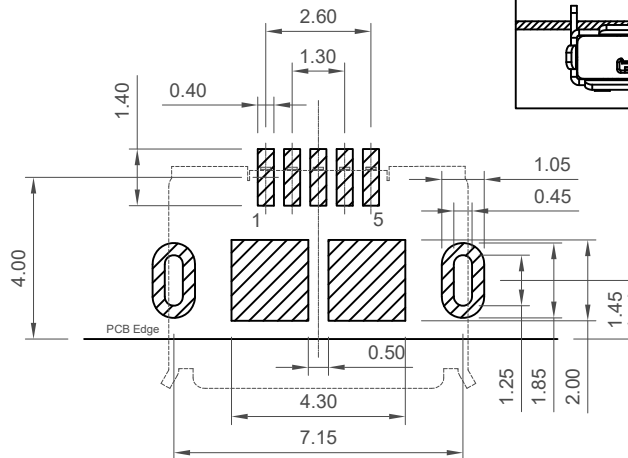
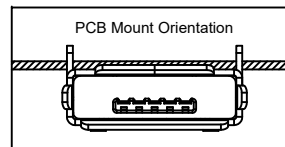


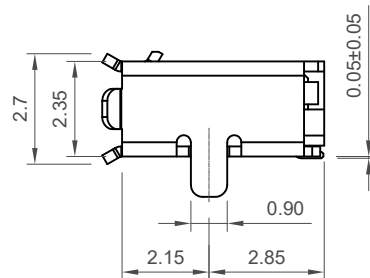
Designed to comply with physical, electrical and environmental requirements of Micro USB Standard (USB2.0), A/B types support USB On-The-Go (OTG) interface.



Recommended PCB Layout

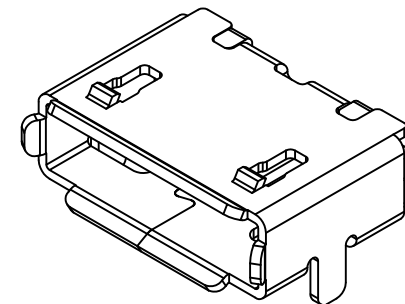
General Tolerance: ±0.05
as viewed from component side

▨ Solder Area □ Component Outline



Ordering Grid

USB3090 - 30 - A Request Samples and Quotation
 Contact Plating: 30 = 30u" Gold
 Packing Options: A = Tape & Reel (1.5K per Reel)



Specifications 规格:

Materials 材料:

Plastic Housing 塑胶外壳: LCP, UL94V-0, Black
 Contact Terminal 接触端子: Copper Alloy
 Metallic Shell 金属外壳: Stainless Steel SUS 304 T = 0.25mm

Plating 电镀:

Underplating 底层电镀: 50µ" Nickel
 Finish 表面处理: Contact Area 接触面积: 30µ" Gold plating
 Solder Tails 焊接末端: Gold Flash
 Metallic Shell 金属外壳: Matte Tin

Electrical 电气规格:

Voltage Rating 电压额定值: 30V AC
 Current Rating 电流额定值: Signal(Pins 2,3,4): 1.0 A
 Power (Pins 1,5): 1.8A
 Operating Temperature 工作温度: -30°C to +85°C
 Contact Resistance 接触电阻值: 30 mΩ max.
 Insulating Resistance 绝缘电阻值: 1000 MΩ min.
 Dielectric Withstand Voltage 耐电压: 500 V AC/Minute

Mechanical 机械性规格:

Mating Force 插入力: 35N max.
 Unmating Force 拔出力: Initial 10N min.
 Final 8N min after durability test.
 Durability 耐久性: 10,000 Cycles

Part Number		Product Description	
USB3090		Micro USB Receptacle, Type AB	
Drawing Date		SMT, R/A, Bottom Mount, w/out Peg, w/outer shell stakes	
4th April 2011			
By	CC	Tolerances (Except as Noted)	Units:
Detail	USB3090 E PCN	Length	Metric (mm)
Revision	E2	Angle	
Date	17/02/17	X.X ± 0.3	X.X° ± 2°
		X.XX ± 0.20	X.XX° ± 1°
		X.XXX ± 0.10	X.XXX° ± 0.5°

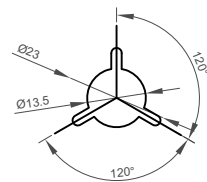
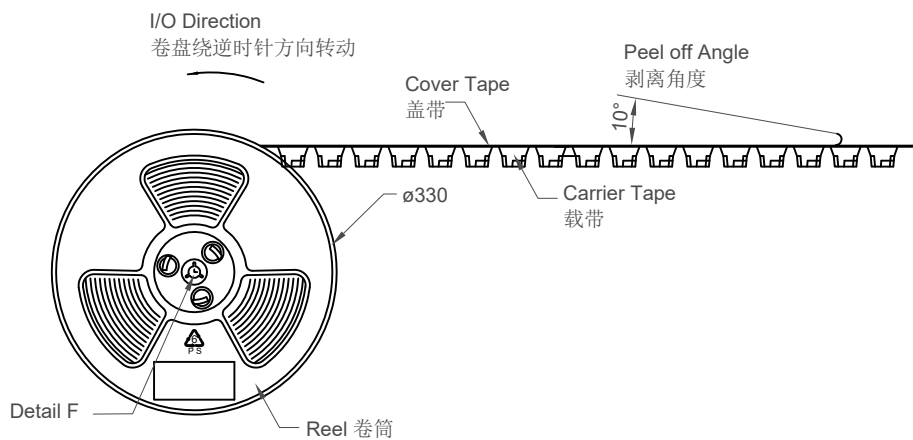
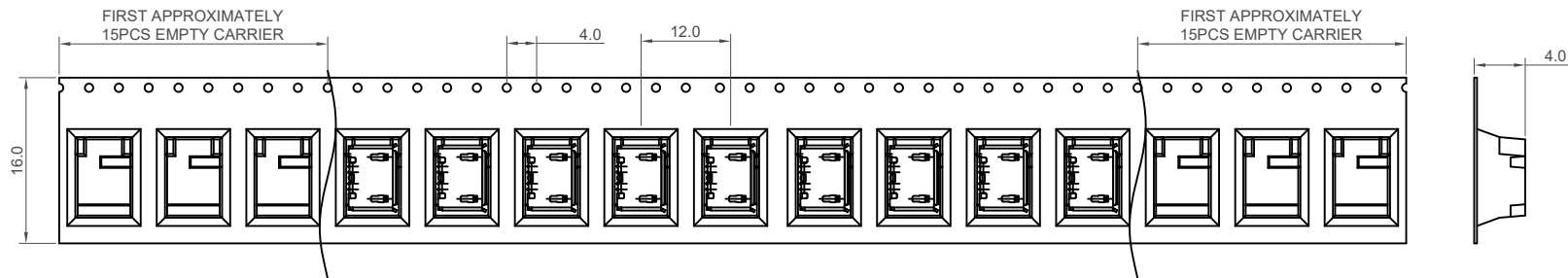


This drawing is confidential and copyright of Global Connector Technology, Ltd (GCT). This drawing must not be copied or disclosed without written consent. E & OE



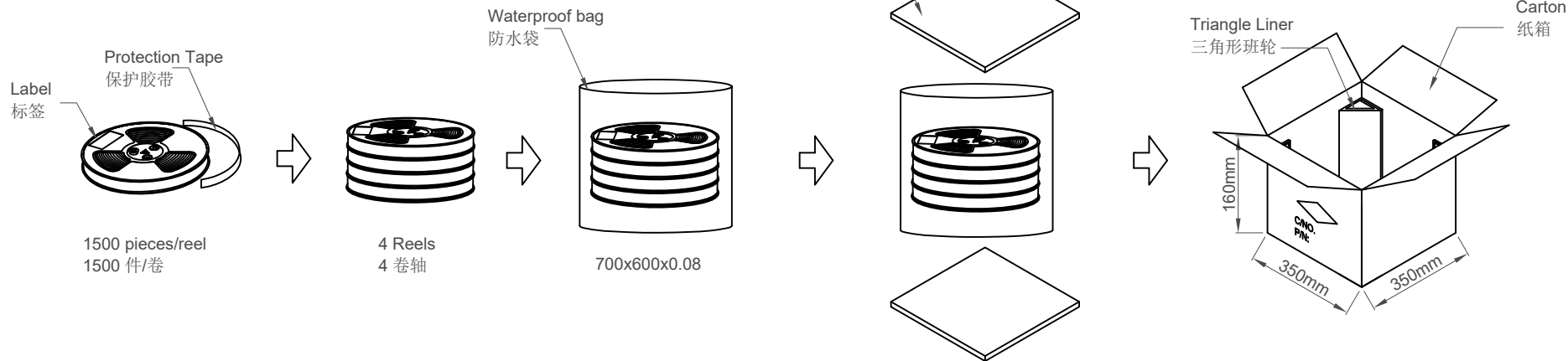
www.gct.co

Not to Scale	Drawn By SA	Sheet No. 1/2
--------------	-------------	---------------



Products P/N	PCS/Reel	Reels/Carton	PCS/Carton
USB3090-30-A	1500	4	6000

- Notes/注意:
1. Peeling off force of top tape: 0.1-1.3N
 2. Part Conforms to EIA-481-C Standards 产品符合EIA-481-C标准
 3. All dimensions in millimeters 所有尺寸均是毫米
 4. 10 sprocket hole pitch cumulative tolerance ±0.2mm



Part Number		Product Description	
USB3090		Micro USB Receptacle, Type AB	
Drawing Date		SMT, R/A, Bottom Mount, w/out Peg, w/outer shell stakes	
4th April 2011			
By	CC	Tolerances (Except as Noted)	Units:
Detail	USB3090	Length	Metric (mm)
Revision	E PCN	Angle	
Date	E2		
	17/02/17		



This drawing is confidential and copyright of Global Connector Technology, Ltd (GCT). This drawing must not be copied or disclosed without written consent. E & OE



Not to Scale	Drawn By SA	Sheet No. 2/2
--------------	-------------	---------------