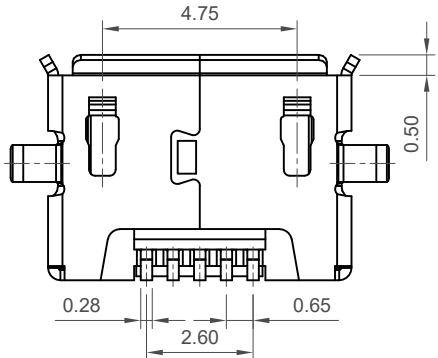
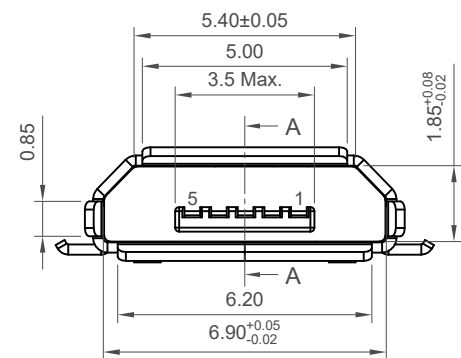
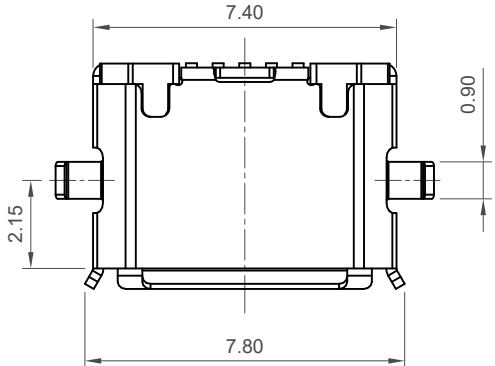
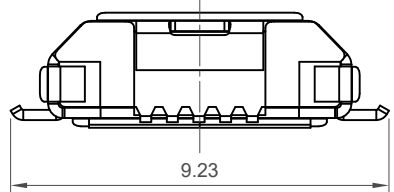
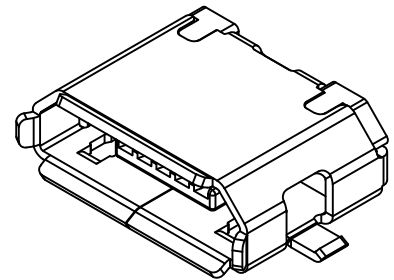
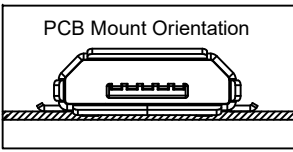


H  
G  
F  
E  
D  
C  
B  
A



Designed to comply with physical, electrical and environmental requirements of Micro USB Standard (USB2.0).



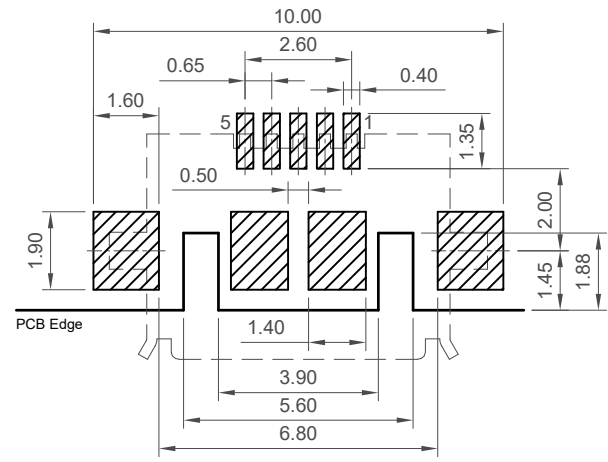
Specifications

**Material**  
Housing: LCP, UL94V-0, Black (E106764)  
Terminal: Copper Alloy  
Shell: Stainless Steel, SUS304, T = 0.25mm

**Plating**  
Terminal:  
Contact Area: 30µ" Gold plating  
Solder Tails: Gold Flash  
Underplating: 50µ" Nickel  
Shell: Matte Tin

**Electrical**  
Voltage Rating: 30 V AC  
Current Rating: Signal (Pins 2,3,4):1.0A.  
Power (Pins1,5):1.8A.  
Operating Temperature: -30°C to +85°C  
Contact Resistance: 30mΩ max.  
Insulating Resistance: 1000MΩ min.  
Dielectric Withstand Voltage: 500V AC/Minute

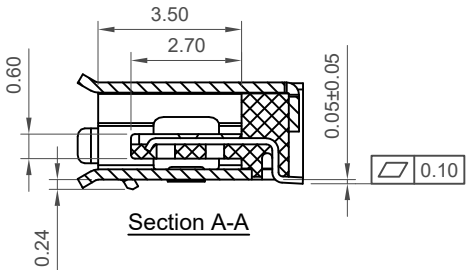
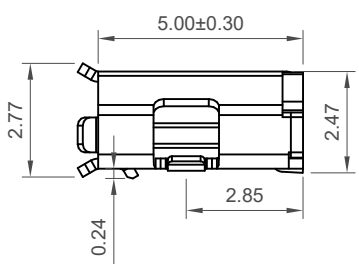
**Mechanical & Environmental**  
Mating Force: 35N max.  
Unmating Force: 10N min.  
Durability: 10,000 Cycles



Recommended PCB Layout

As viewed from component side  
General Tolerance: ±0.05

▨ Solder Area □ Component Outline



Ordering Grid

USB3100 - 30 - A

Contact Plating  
30 = 30µ" Gold

Request Samples and Quotation

Packing Options  
A = Tape & Reel  
(1.5K per Reel)

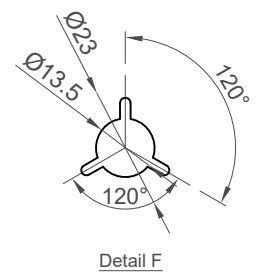
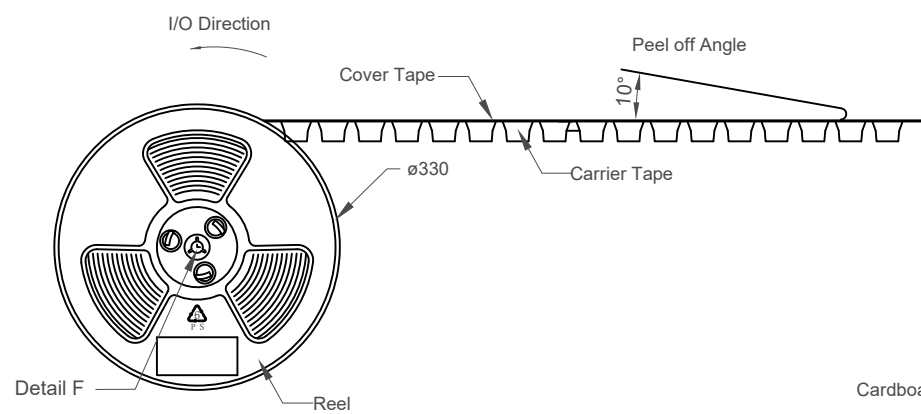
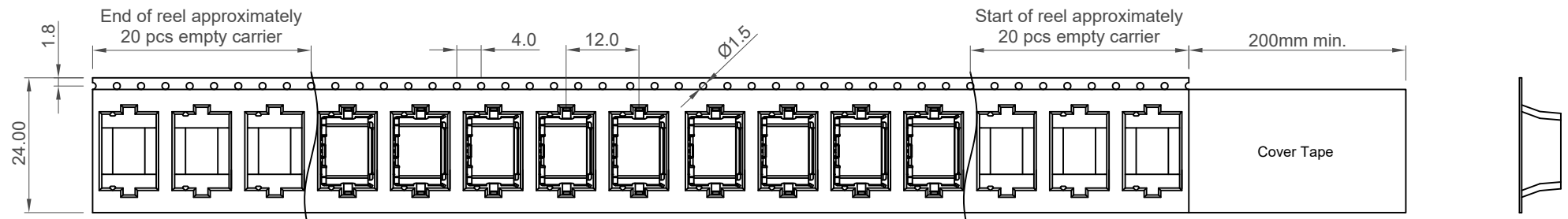
Part Number		Product Description	
USB3100		Micro USB Receptacle, Type B, Surface Mount, Horizontal, Top (Reverse) Mount, without Peg	
Drawing Date		1st June 2012	
By	CC	Tolerances (Except as Noted)	Units:
Detail	USB3100 C PCN	Length X.X ± 0.2 X.XX ± 0.10 X.XXX ± 0.05	Angle X.X° ± 2° X.XX° ± 1° X.XXX° ± 0.5°
Revision	C	Metric (mm)	
Date	22/08/23		
<p>This drawing is confidential and copyright of Global Connector Technology, Ltd (GCT). This drawing must not be copied or disclosed without written consent. E &amp; OE</p>			



Not to Scale	Drawn By ASE	Sheet No. 1/2
--------------	--------------	---------------

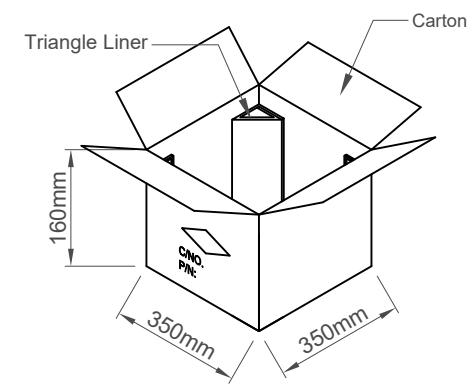
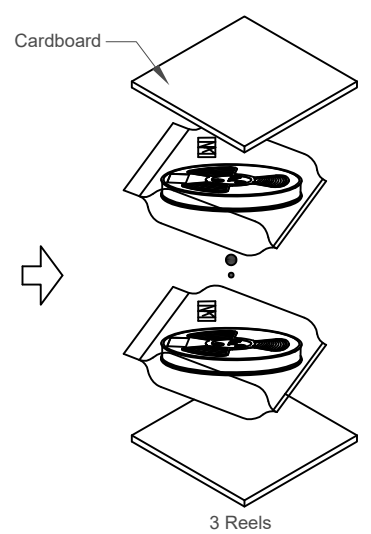
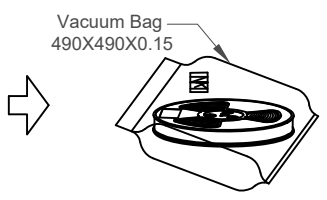
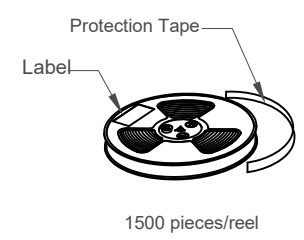
1 2 3 4 5 6 7 8

H  
G  
F  
E  
D  
C  
B  
A



Products P/N	PCS/Reel	Reels/Carton	PCS/Carton
USB3100	1500	3	4500

- Notes:
1. Peeling off force of top tape: 0.1-1.3N
  2. Part Conforms to EIA-481-C Standards
  3. All dimensions in millimeters
  4. 10 sprocket hole pitch cumulative tolerance±0.2mm



Part Number		Product Description	
USB3100		Micro USB Receptacle, Type B, Surface Mount, Horizontal, Top (Reverse) Mount, without Peg	
Drawing Date		1st June 2012	
By	CC	Tolerances (Except as Noted)	Units:
Detail	USB3100 C PCN	Length X.X ± 0.5 X.XX ± 0.30 X.XXX ± 0.20	Metric (mm)
Revision	C	Angle X.X° ± 2° X.XX° ± 1° X.XXX° ± 0.5°	3rd Angle Projection
Date	22/08/23		



This drawing is confidential and copyright of Global Connector Technology, Ltd (GCT). This drawing must not be copied or disclosed without written consent. E & OE



Not to Scale	Drawn By ASE	Sheet No. 2/2
--------------	--------------	---------------

1 2 3 4 5 6 7 8