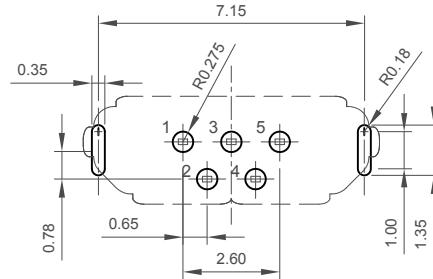
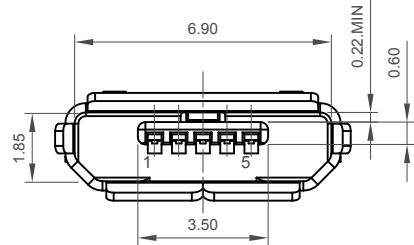
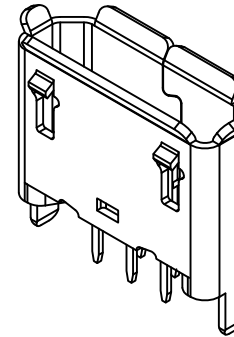
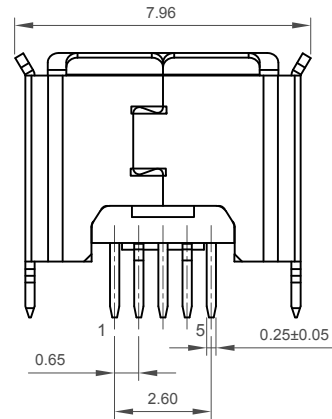


Designed to comply with physical, electrical and environmental requirements of Micro USB Standard (USB2.0), A/B types support USB On-The-Go (OTG) interface.

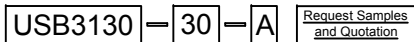
If you seek longer shell stakes for a thicker PCB (for example 1.60mm (.062")) Please see USB3140 (SMT with cap) or USB3131 / USB3145 (Through-hole)



Recommended PCB Layout
As viewed from component side General Tolerance: ±0.05
□ Component Outline

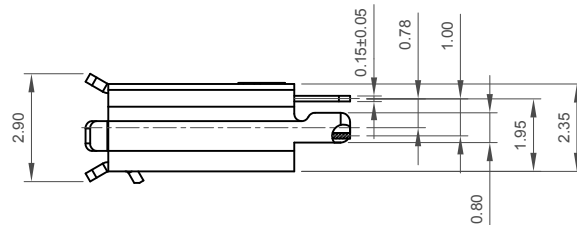
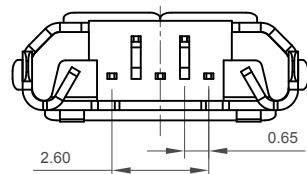


Ordering Grid



Contact Plating
30 = 30µm Gold

Packing Options
A = Tape & Reel
(1.5K per Reel)



Specifications:

Materials:

- Plastic Housing: LCP, UL94V-0, Black
- Contact Terminal: Copper Alloy
- Metallic Shell: Stainless Steel, SUS304 T=0.25mm

Plating:

- Underplating: Nickel 100µ" min.
- Contact Area: 30µ" Gold plating
- Solder Tails: Gold Flash
- Metallic Shell: Nickel 80µ" min.

Electrical:

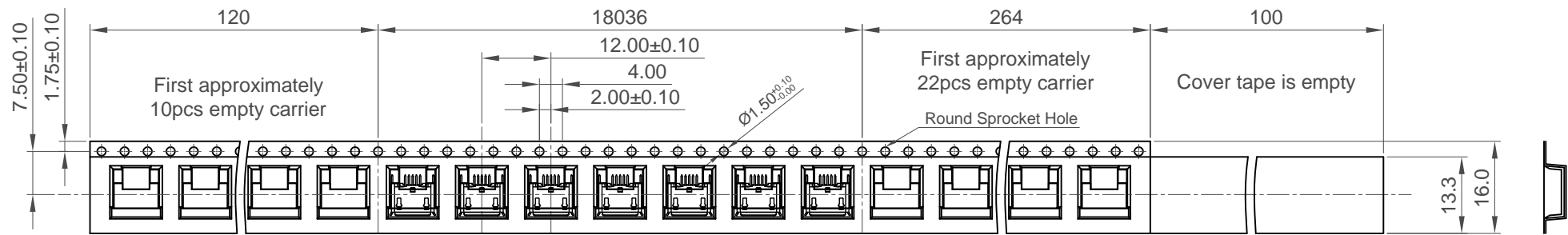
- Voltage Rating: 30 V
- Current Rating: Signal (Pins 2,3,4): 1.0 A
Power (Pins 1,5): 1.8 A
- Operating Temperature: -55°C to +85°C
- Contact Resistance: 30 mΩ max.
- Insulating Resistance: 1000 MΩ min.
- Dielectric Withstand Voltage: 100 V AC/minute

Mechanical & Environmental

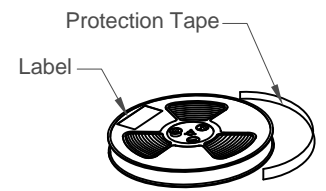
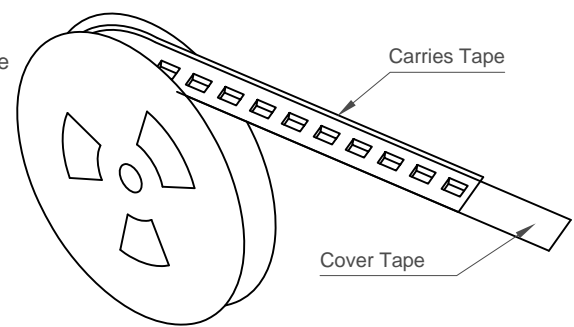
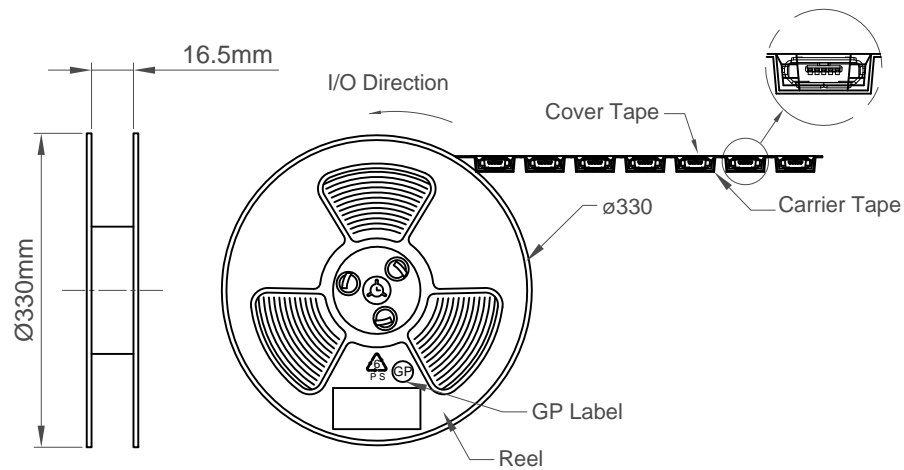
- Mating Force: 35N max.
- Unmating Force: Initial 10N min.
Final 8N min after durability test.
- Durability: 10,000 Cycles

Part Number		Product Description			This drawing is confidential and copyright of Global Connector Technology, Ltd (GCT). This drawing must not be copied or disclosed without written consent. E & OE
USB3130		Micro USB Receptacle, Type B, Through-Hole, Vertical, With 1.5mm Through-Hole Shell Stakes			
Drawing Date		21st October 2011			
By	CC	Tolerances (Except as Noted)	Units:		
Detail	USB3130 D PCN	Length	Metric (mm)		
Revision	D4	Angle			
Date	01/06/18	X.X ± 0.35 X.XX ± 0.25			
Not to Scale	Drawn By ASE	Sheet No. 1/2		www.gct.co	

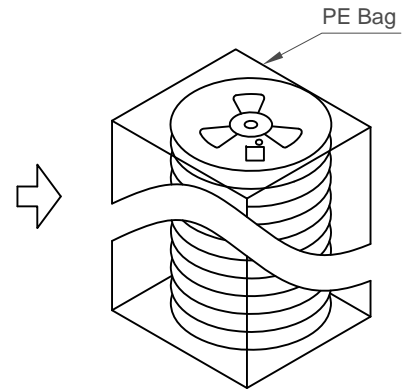
H
G
F
E
D
C
B
A



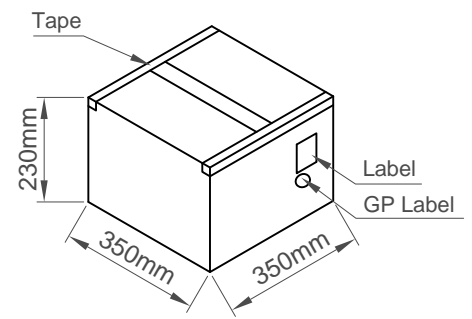
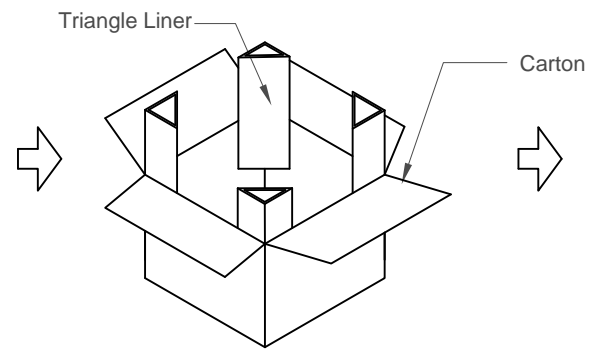
Products P/N	PCS/Reel	Reels/Carton	PCS/Carton
USB3130	1,500	10	15,000



1,500 Pieces/Reel



10 Reels



Part Number USB3130		Product Description Micro USB Receptacle, Type B, Through-Hole, Vertical, With 1.5mm Through-Hole Shell Stakes	
Drawing Date 21st October 2011			
By CC	Tolerances (Except as Noted) Length Angle	Units: Metric (mm)	 <small>This drawing is confidential and copyright of Global Connector Technology, Ltd (GCT). This drawing must not be copied or disclosed without written consent. E & OE</small>
Detail USB3130 D PCN		3rd Angle Projection	
Revision D4			
Date 01/06/18			
		 www.gct.co	
Not to Scale	Drawn By ASE	Sheet No. 2/2	

1 2 3 4 5 6 7 8