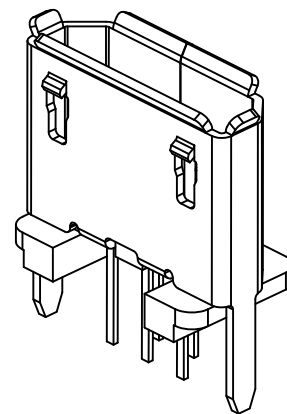


Recommended P.C.B Layout

Viewed from component side General Tolerance: ±0.05

▨ Solder Area □ Component Outline



Specification 规格

Material 物料

Plastic Housing 塑胶外壳: LCP, UL94V-0, Black
 Contact Terminal 接触端子: Copper Alloy
 Metallic Shell 金属外壳: Stainless Steel (T=0.25mm)

Plating 电镀

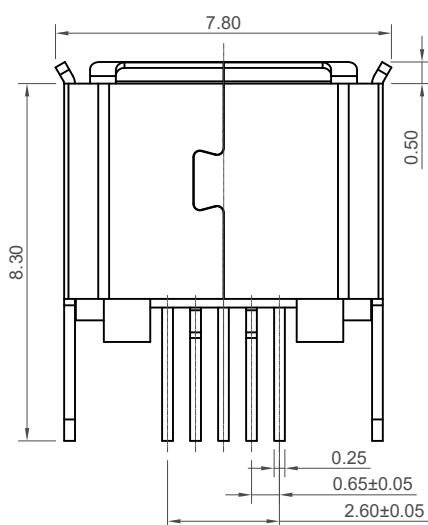
Metallic Shell 金属外壳: Matte Tin
 Underplating 底层电镀: 50µm Nickel
 Contact Area 接触面积: 30µm Gold plating
 Solder Tails 焊接末端: Gold Flash

Electrical 电气

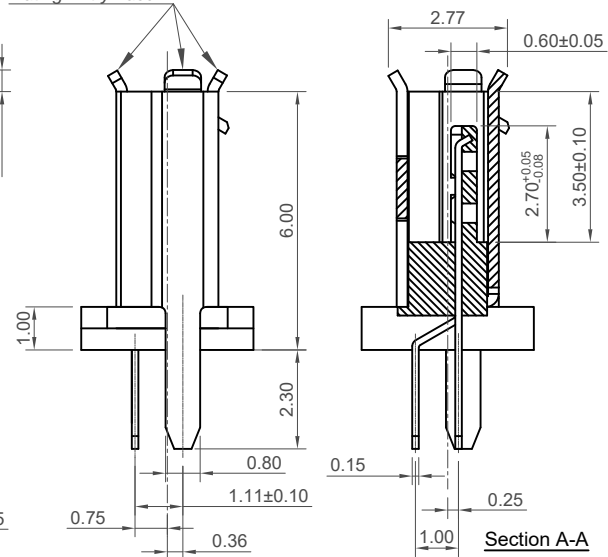
Voltage Rating 电压额定值: 30 V AC
 Current Rating 电流额定值: Signal (Pins 2,3,4):1.0 A.
 Power (Pins1,5):1.8A.
 Operating Temperature 工作温度: -30°C to +85°C.
 Contact Resistance 接触电阻值: 30mΩ max.
 Insulating Resistance 绝缘电阻值: 1000MΩ min.
 Dielectric Withstand Voltage 耐电压: 500V AC/minute

Mechanical & Environmental 机械 & 环境

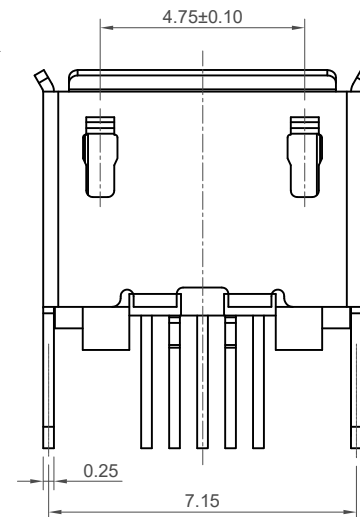
Mating Force 插入力: 35N max.
 Unmating Force 拨出力: 8N min.
 Durability 耐久性: 10,000 Cycles



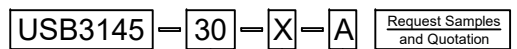
Mating Entry Face



Section A-A



Ordering Grid



Contact Plating

30 = 30µm Gold

Packing Options

A = Tape & Reel
 (1300 per reel)

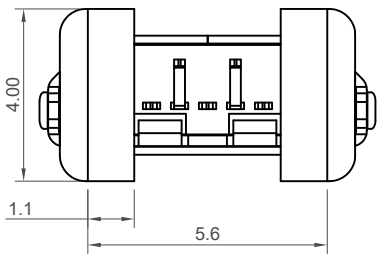
Mating Entry Face

1 = With Mating Entry Face (Standard)

0 = Without Mating Entry Face (MOQ = 7800)

Designed to comply with physical, electrical and environmental requirements of Micro USB Standard (USB2.0)

Note: Recommended for 1.6mm PCB thickness, for thinner PCB's choose USB3130 (B) or USB3105 (A/B).

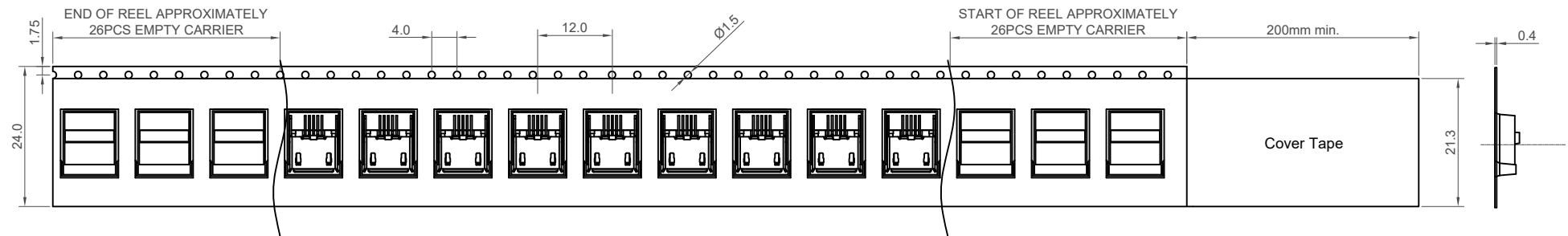


Part Number		Product Description	
USB3145		Micro USB Receptacle, Type B, Through Hole, Vertical, With Through Hole Shell Stakes	
Drawing Date		2nd April 2013	
By	CC	Tolerances (Except as Noted)	Units:
Detail	USB3145 B PCN	Length	Metric (mm)
Revision	B2	Angle	3rd Angle Projection
Date	17/01/17	X.X ± 0.30	X.X° ± 2°
		X.XX ± 0.20	X.XX° ± 1°
		X.XXX ± 0.10	X.XXX° ± 0.5°



This drawing is confidential and copyright of Global Connector Technology, Ltd (GCT). This drawing must not be copied or disclosed without written consent. E & OE

Not to Scale | Drawn By ASE | Sheet No. 1/2



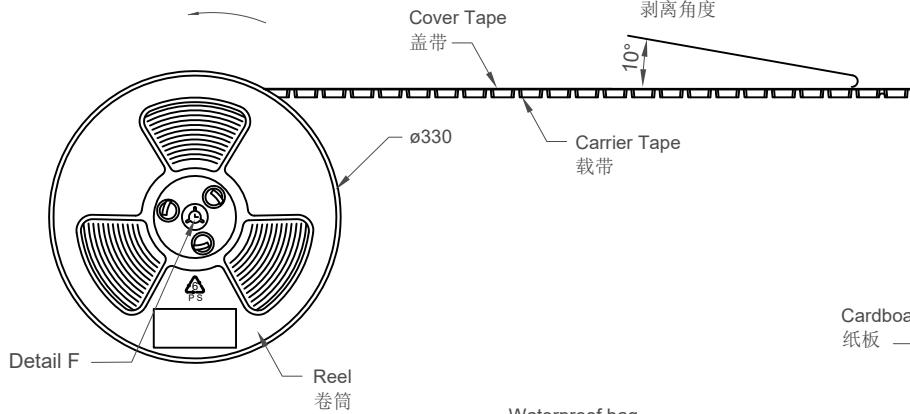
I/O Direction
卷盘绕逆时针方向转动

Peel off Angle
剥离角度

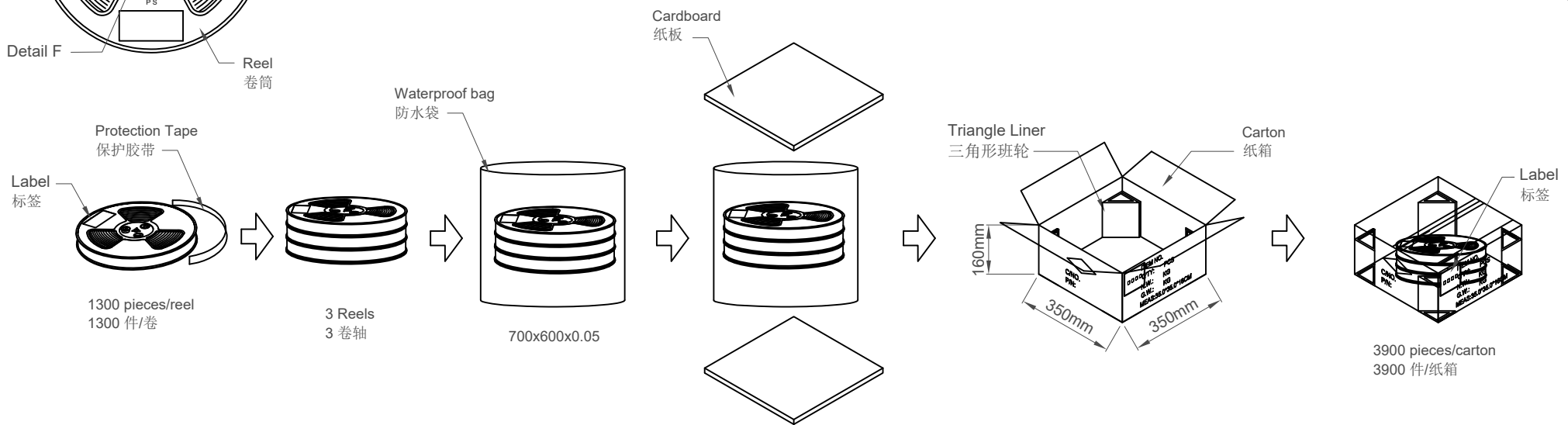
Products P/N	PCS/Reel	Reels/Carton	PCS/Carton
USB3145	1300	3	3900

Notes注意:
Peeling off force of top tape: 0.1-1.3N
(Peeling direction as shown)

Materials材料:
Carrier Tape: Polystyrene (PS)
Top Tape: PE
Reel Tape: Polystyrene (PS)



Detail F



Part Number		Product Description	
USB3145		Micro USB Receptacle, Type B, Through Hole, Vertical, With Through Hole Shell Stakes	
Drawing Date		2nd April 2013	
By	CC	Tolerances (Except as Noted)	
Detail	USB3145 B PCN	Length	Angle
Revision	B2	X.X ± 0.30	X.X° ± 2°
Date	17/01/17	X.XX ± 0.20	X.XX° ± 1°
		X.XXX ± 0.10	X.XXX° ± 0.5°
		Units:	Metric (mm)
		3rd Angle Projection	



This drawing is confidential and copyright of Global Connector Technology, Ltd (GCT). This drawing must not be copied or disclosed without written consent. E & OE



Not to Scale	Drawn By ASE	Sheet No. 2/2
--------------	--------------	---------------