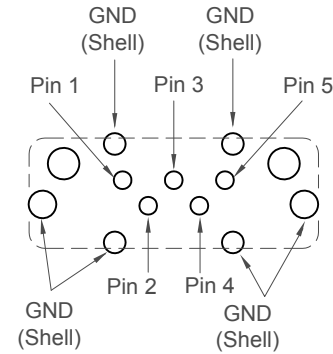


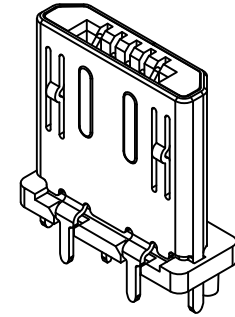
**Recommended PCB Layout**

Tolerance:  $\pm 0.05\text{mm}$

□ Component Outline



**PCB Pin Number Description**



**Specifications**

**Materials:**

Plastic Housing: LCP, UL94V-0, Black  
Contact Terminal: Copper Alloy  
Metallic Shell: Stainless Steel

**Plating:**

Underplating:  $50\mu\text{m}$  Nickel min.  
Finish: Contact Area:  $30\mu\text{m}$  Gold plating  
Solder Tails: Matte Tin  
Metallic Shell: Nickel

**Electrical:**

Voltage Rating: 30 V AC  
Current Rating: Signal (Pins 2,3,4): 1.0 A.  
Power (Pins 1,5): 1.8A.  
Operating Temperature:  $-30^\circ\text{C}$  to  $+85^\circ\text{C}$ .  
Contact Resistance:  $30\text{ m}\Omega$  max.  
Insulating Resistance:  $1000\text{ M}\Omega$  min.  
Dielectric Withstand Voltage: 500V AC/Minute

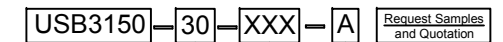
**Mechanical:**

Mating Force: 35N max.  
Unmating Force: 8N min.  
Durability: 10,000 cycles

Pin	Signal
1	VBUS
2	D-
3	D+
4	ID
5	GND
Shell	Shield

**Pin Assignments**

**Ordering Grid**



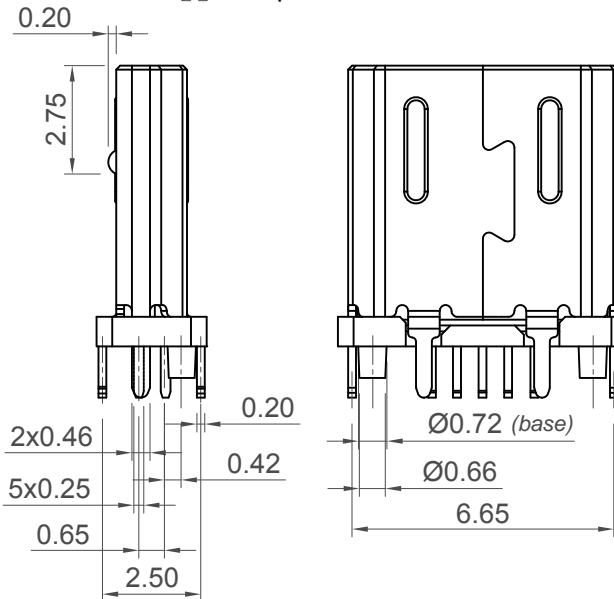
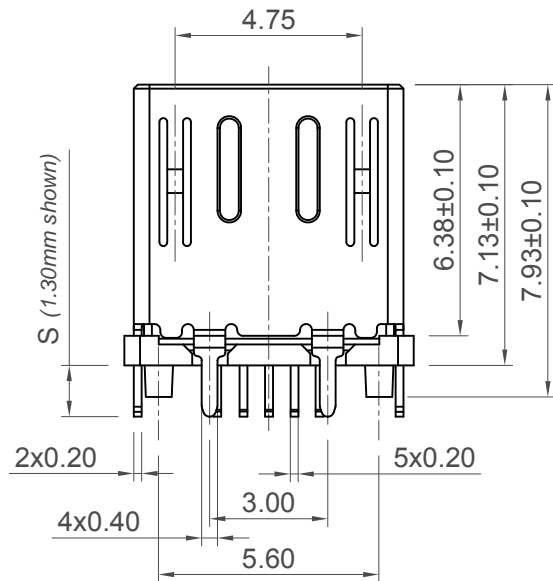
**Contact Plating**

30 =  $30\mu\text{m}$  Gold

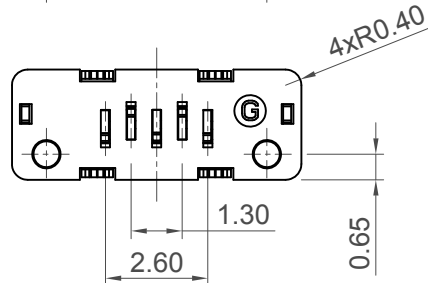
**Shell Stake & Lead Length "S"**

075 = 0.75mm (recommended for PCB thickness 0.4mm)

130 = 1.30mm (recommended for PCB thickness 0.8mm)

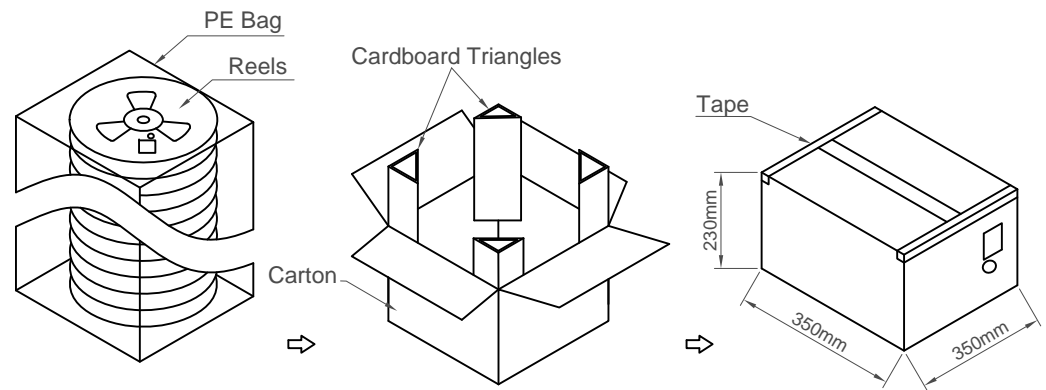
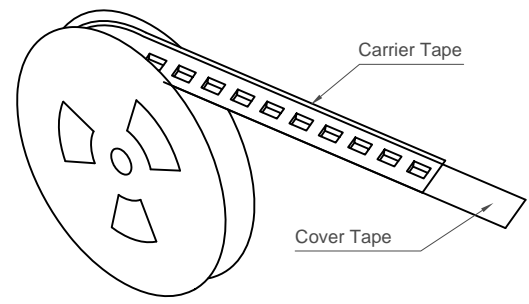
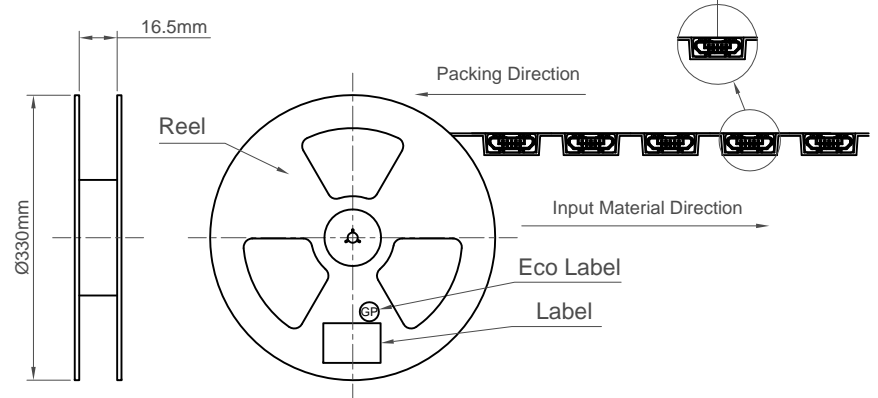
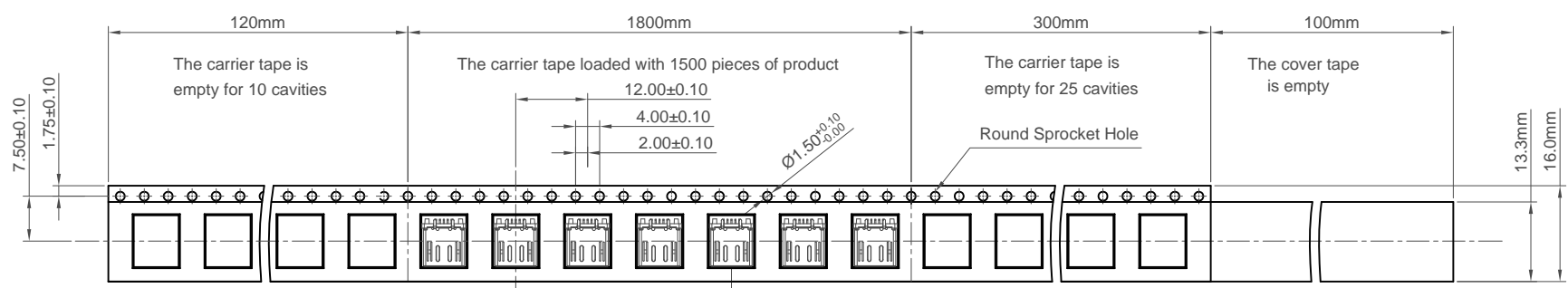


Designed to comply with physical, electrical and environmental requirements of Micro USB Standard (USB2.0)



Part Number USB3150		Product Description Micro USB Plug - Type B, Through-Hole Vertical, with Shell Stakes and Locating Pegs			This drawing is confidential and copyright of Global Connector Technology, Ltd (GCT). This drawing must not be copied or disclosed without written consent. E & OE	 www.gct.co	
Drawing Date 30th April 2015							
By CC	USB3150 B PCN	Tolerances (Except as Noted) Length Angle	Units: Metric (mm)				
Detail	B	X.X $\pm 0.10$ X.XX $\pm 0.05$	X. $^\circ$ $\pm 2.0^\circ$ X.X $^\circ$ $\pm 1.0^\circ$				
Revision	B						
Date	23/05/19						

H  
G  
F  
E  
D  
C  
B  
A



Part Number	Specification	Q'ty
Carrier Tape	16.0mm (W) x 18.42m (L)	10
Cover Tape	13.3mm (W)	185.2m
Reel	330 x 21mm	10
Bag	400 x 400 x 400mm, PE	1
Cardboard Triangles	430 x 215 x 3mm	4
Carton	350 x 350 x 230mm	1
Desiccant	3.5g	2

Part Number	Pcs./Reel	Reels/Carton	Pcs./Carton
USB3150	1500	10	15000

Part Number USB3150		Product Description Micro USB Plug - Type B, Through-Hole Vertical, with Shell Stakes and Locating Pegs	
Drawing Date 30th April 2015			
By CC	Tolerances (Except as Noted) Length Angle	Units: Metric (mm)	  
Detail USB3150 B PCN	X.X ± 0.10 X.XX ± 0.05	X.° ± 2.0° X.X° ± 1.0°	
Revision B			
Date 23/05/19			



This drawing is confidential and copyright of Global Connector Technology, Ltd (GCT). This drawing must not be copied or disclosed without written consent. E & OE

Not to Scale	Drawn By AJO	Sheet No. 2/2
--------------	-----------------	------------------