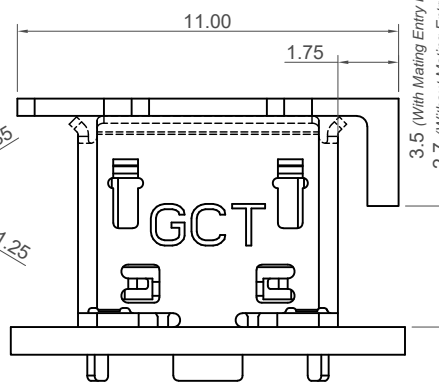
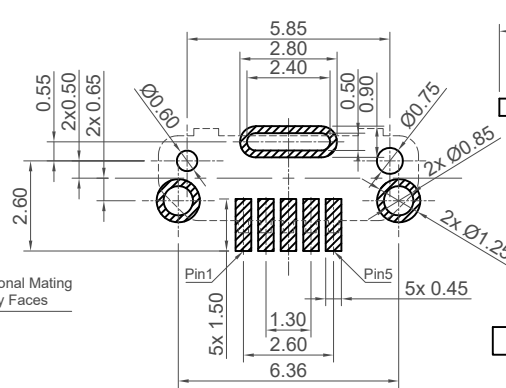
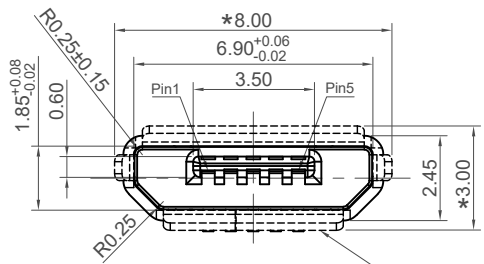
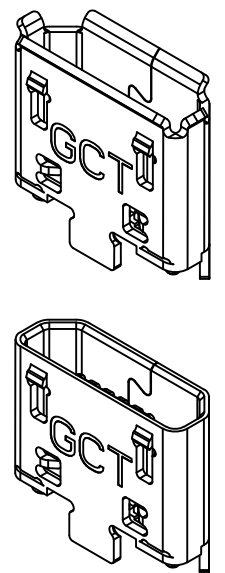


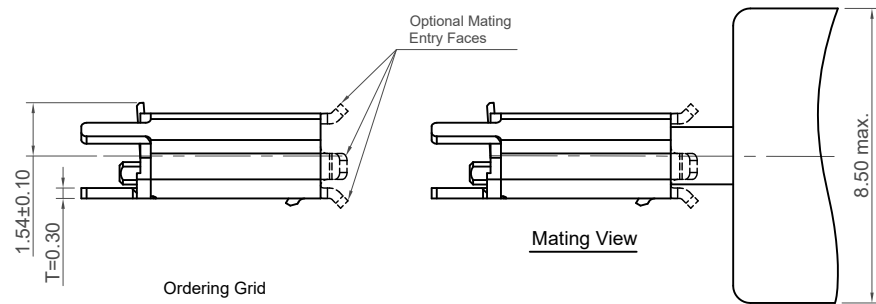
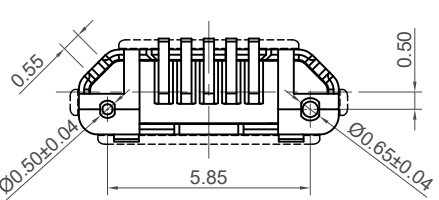
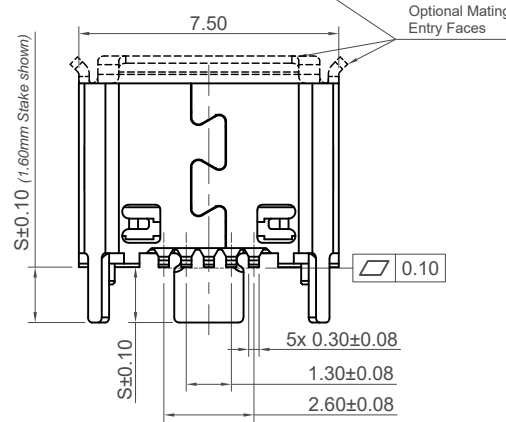
* Dimensions only applicable to parts with an optional mating entry face



PCB Mount & Cap Information



Recommended PCB Layout
As viewed from component side General tolerance: ±0.05
■ Solder Area □ Component Outline



Mating View

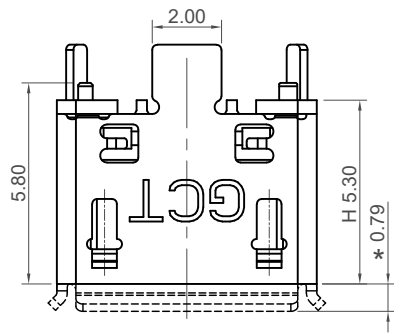
Specifications

Material
Plastic Housing: High Temp Plastic , UL94V-0, Black
Contact Terminal: Copper Alloy
Metallic Shell: Stainless Steel.

Plating
Underplating: 50µ" Nickel min
Finish: Contact Area: 30µ" Gold
Solder Tails: Gold Flash
Metallic Shell: Matte Tin

Electrical
Voltage Rating : 30 V AC
Current Rating: Signal (Pins 2,3,4): 1.0 A.
Power (Pins 1,5): 2.8A.
Operating Temperature: -30°C to +85°C.
Contact Resistance: 30mΩ max.
Insulating Resistance: 1000MΩ min.
Dielectric Withstand Voltage: 100V AC/minute

Mechanical & Environmental
Mating Force: 35N max.
Unmating Force: 8N min.
Durability: 10,000 Cycles



Ordering Grid

USB3160 - 30 - XXXX - X - C [Request Samples and Quotation](#)

Contact Plating
30 = 30µ" Gold

Packing Options
C = Tape & Reel with Cap (500 per reel)

Shell Stake Length "S"
0070 = 0.60mm
0120 = 1.10mm (recommended for 0.80mm PCB)
0170 = 1.60mm (recommended for 1.00mm PCB)

Mating Entry Face
1 = With Mating Entry Face
0 = Without Mating Entry Face

Designed to comply with physical, electrical and environmental requirements of Micro USB Standard (USB2.0)

Part Number		Product Description	
USB3160		Micro USB Receptacle, Type B, Surface Mount, Vertical, With Locating Peg & Through-Hole Shell Stakes	
Drawing Date		2nd November 2016	
By	CC	Tolerances (Except as Noted)	Units:
Detail	USB3160 C PCN	Length X. ± 0.50 X.X ± 0.30 X.XX ± 0.20 X.XXX ± 0.10	Metric (mm)
Revision	C3	Angle	± 2°
Date	31/12/21	3rd Angle Projection	

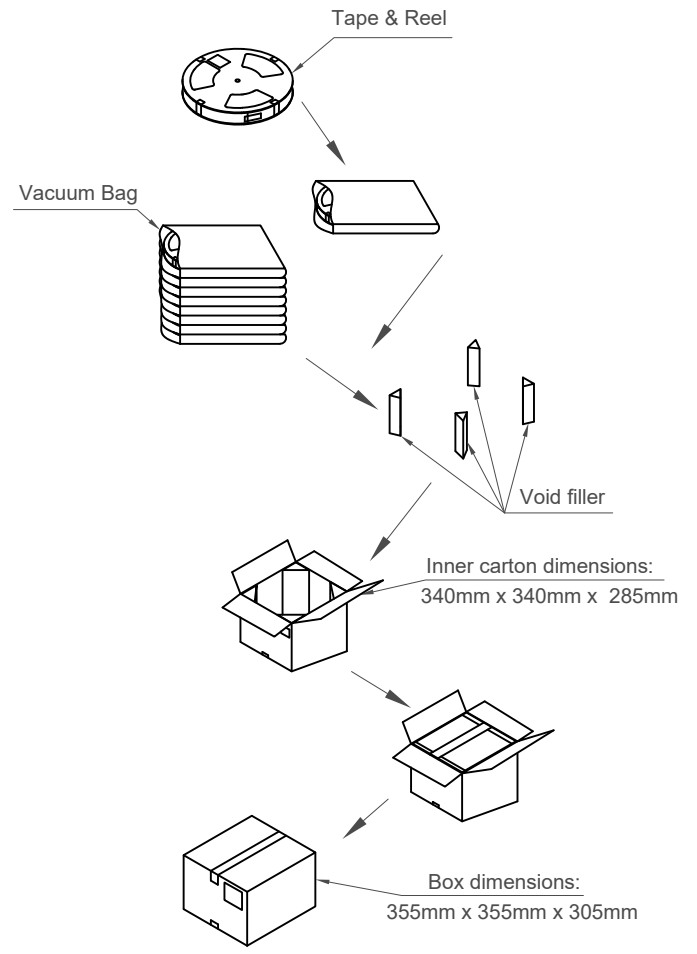
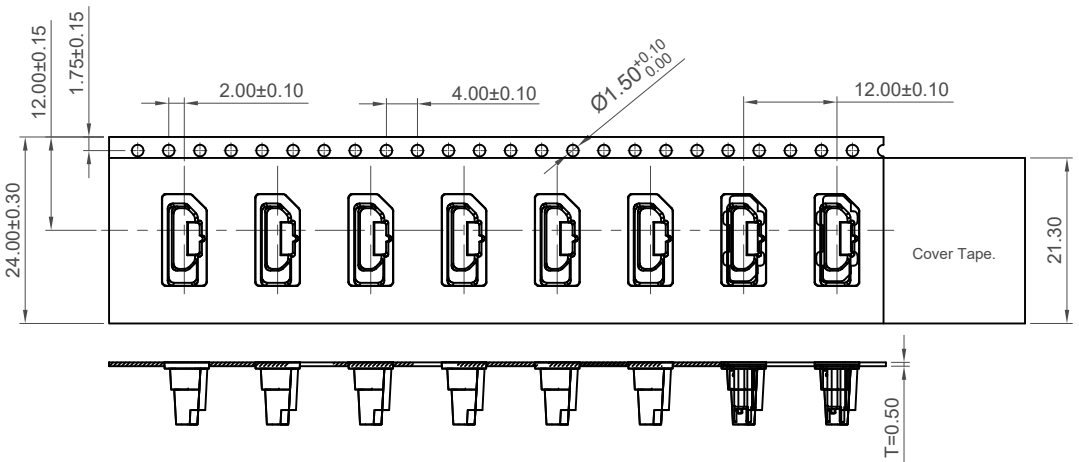
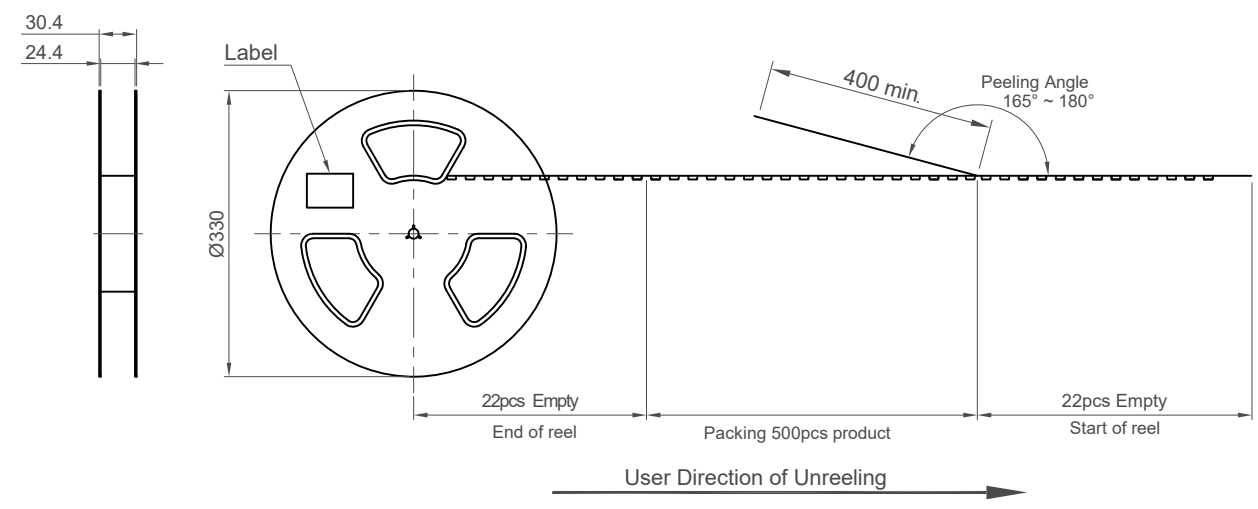


This drawing is confidential and copyright of Global Connector Technology, Ltd (GCT). This drawing must not be copied or disclosed without written consent. E & OE



Not to Scale	Drawn By CC	Sheet No. 1/2
--------------	----------------	------------------

H
G
F
E
D
C
B
A



Notes:
Peeling off force of top tape: 0.1-1.3N (Peeling direction as shown)

Materials:
Carrier Tape: Polystyrene (PS)
Top Tape: PE
Reel Tape: Polystyrene (PS)
Bag: PE

Pcs / Reel	Reels / Carton	Total Quantity
500	9	4500 pcs

Part Number		Product Description	
USB3160		Micro USB Receptacle, Type B, Surface Mount, Vertical, With Locating Peg & Through-Hole Shell Stakes	
Drawing Date		2nd November 2016	
By	CC	Tolerances (Except as Noted)	Units:
Detail	USB3160 C PCN	Length X. ± 0.20 X.X ± 0.15 X.XX ± 0.10 X.XXX ± 0.05	Metric (mm)
Revision	C3	Angle	± 2°
Date	31/12/21	3rd Angle Projection	



This drawing is confidential and copyright of Global Connector Technology, Ltd (GCT). This drawing must not be copied or disclosed without written consent. E & OE



Not to Scale	Drawn By CC	Sheet No. 2/2
--------------	----------------	------------------