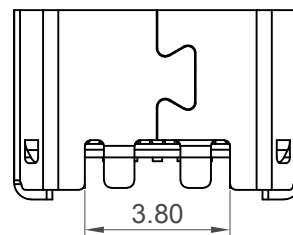
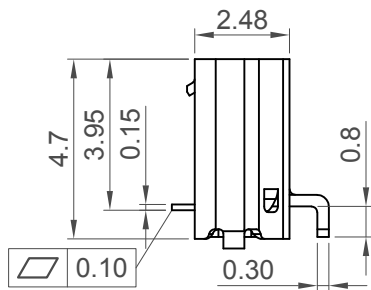
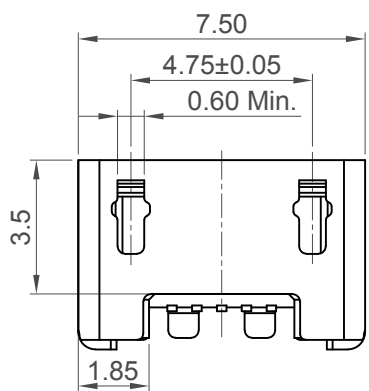


Plug and Receptacle
Mating View



Specifications

Material

Plastic Housing : LCP, UL94V-0, Black
Contact Terminal : C2680, T=0.15mm
Metallic Shell : SUS304, T=0.30mm

Plating

Contact Terminal:

Contact Area: Gold Flash
Solder Tails: Gold Flash
Underplating: 50µ" Nickel
Metallic Shell: 50µ" Nickel over all

Electrical

Voltage Rating: 30 V AC
Current Rating: Signal (Pins 2,3,4): 1.0 A.
Power (Pins 1,5): 1.8A.
Operating Temperature: -30°C to +85°C.
Contact Resistance: 30mΩ max.
Insulating Resistance: 1000MΩ min.
Dielectric Withstand Voltage: 100V AC/minute

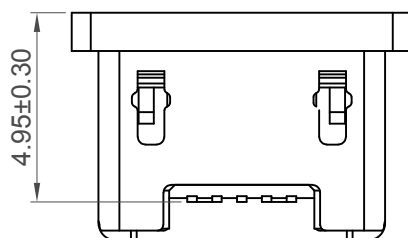
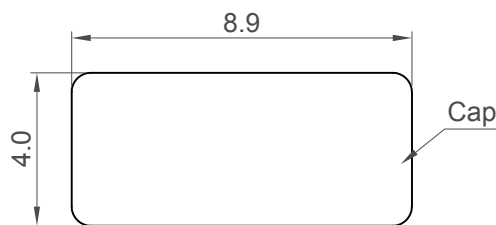
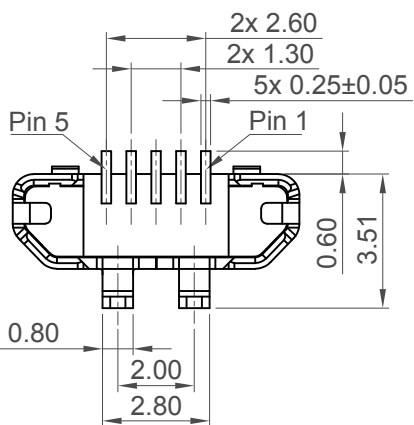
Mechanical & Environmental

Mating Force: 35N max.
Unmating Force: 8N to 25N after durability test
Durability: 10,000 Cycles

Ordering Grid

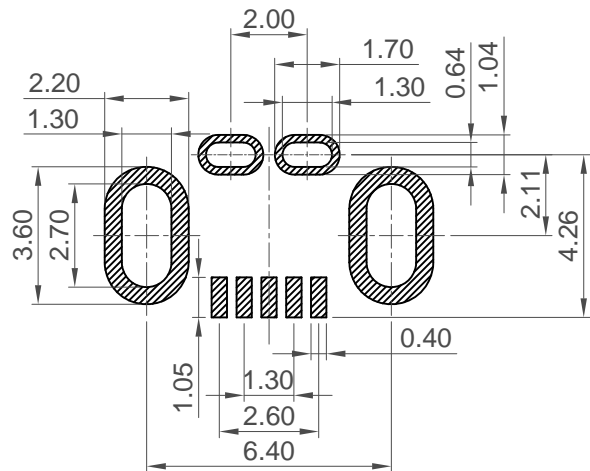
- -

Contact Plating: GF = Gold Flash
 Packing Options: C = Tape & Reel with Cap (900 per reel)

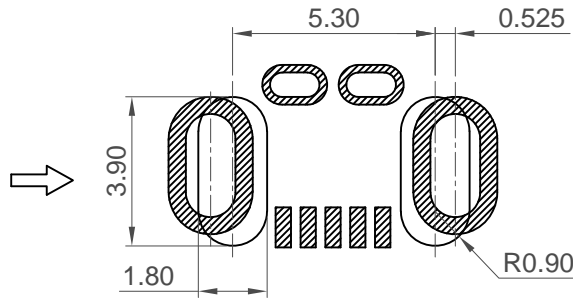


Pick & Place Cap

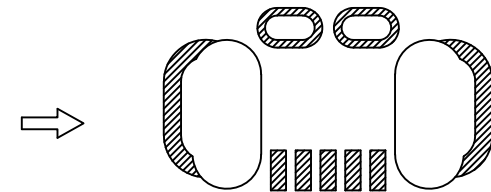
Part Number		Product Description			This drawing is confidential and copyright of Global Connector Technology, Ltd (GCT). This drawing must not be copied or disclosed without written consent. E & OE	 www.gct.co		
USB3190		Micro USB Receptacle, Type B, Surface Mount, Vertical, Low Profile						
Drawing Date		31st July 2020						
By	CC	Tolerances (Except as Noted)	Units:					
Detail	Drawing Release	Length	Metric (mm)					
Revision	A2	X.X ± 0.30						
Date	12/10/20	X.XX ± 0.20						
		X.XXX ± 0.10				Not to Scale	Drawn By CC	Sheet No. 1/3



Step 1: Create plated through holes



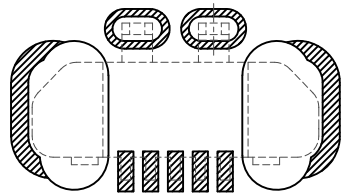
Step 2: Drill holes after plated through holes created



Step 3: Finished PCB holes

Irregularly-shaped holes manufacture process

General tolerance: ± 0.05



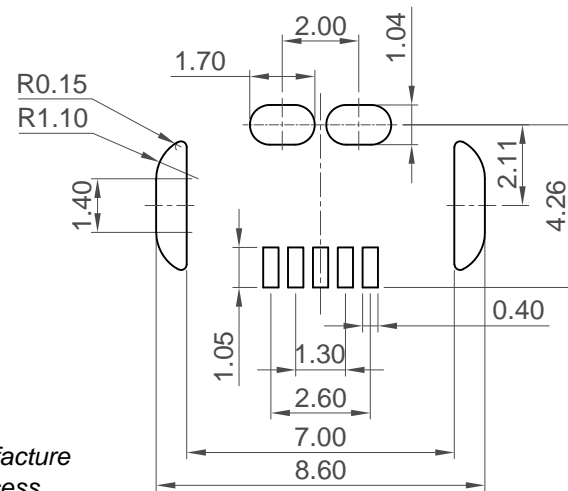
Recommended PCB Layout

Recommended PCB Thickness: 1.00mm

General tolerance: ± 0.05

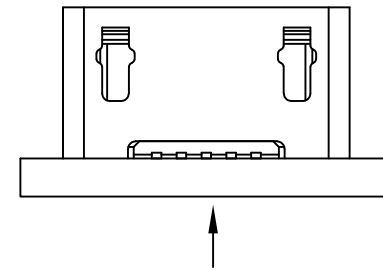
Note: please refer to Irregularly-shaped holes manufacture process for detail PCB layout dimension and process

▨ Solder Area □ Component Outline



Recommended Solder mask

Thickness = 0.12mm

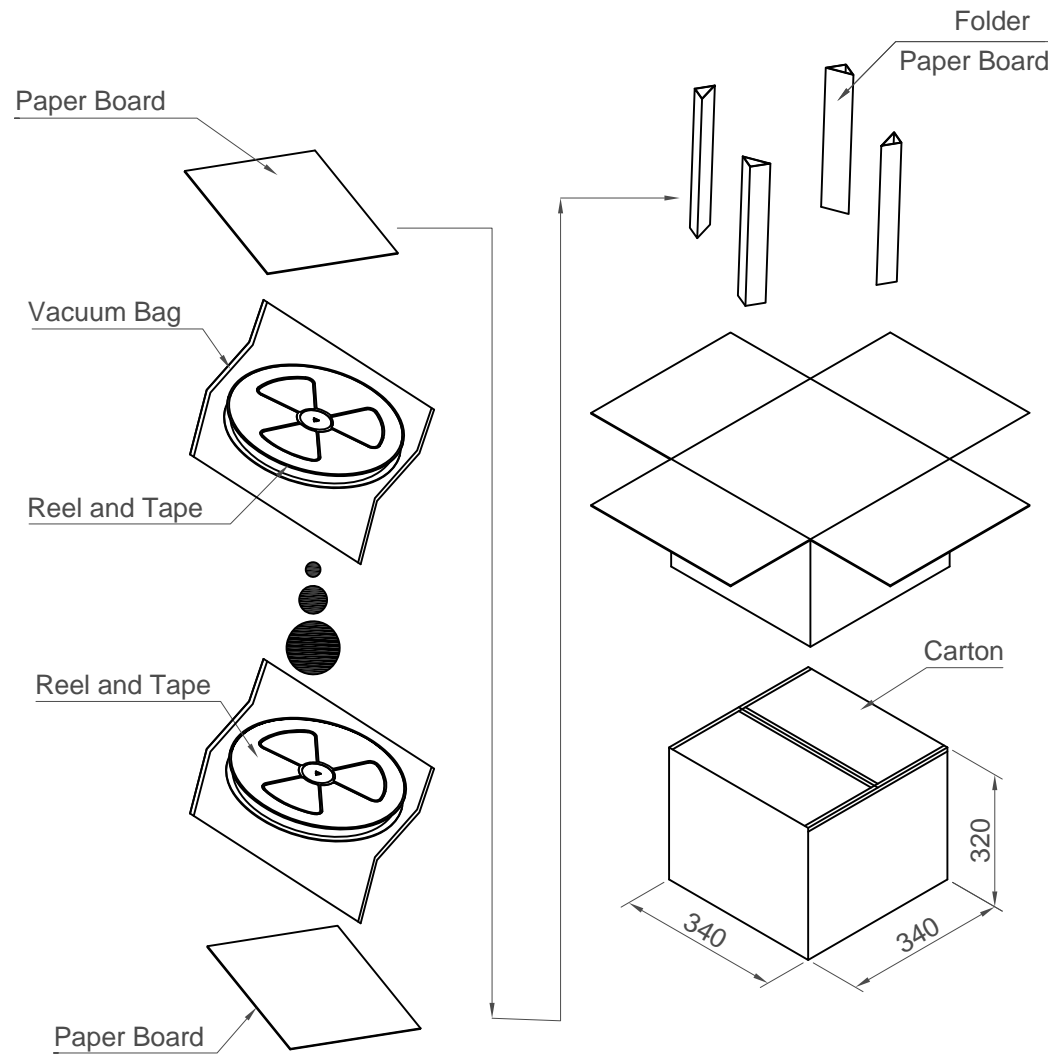
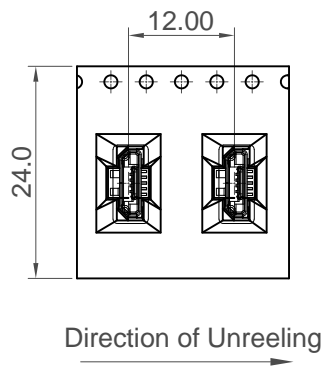
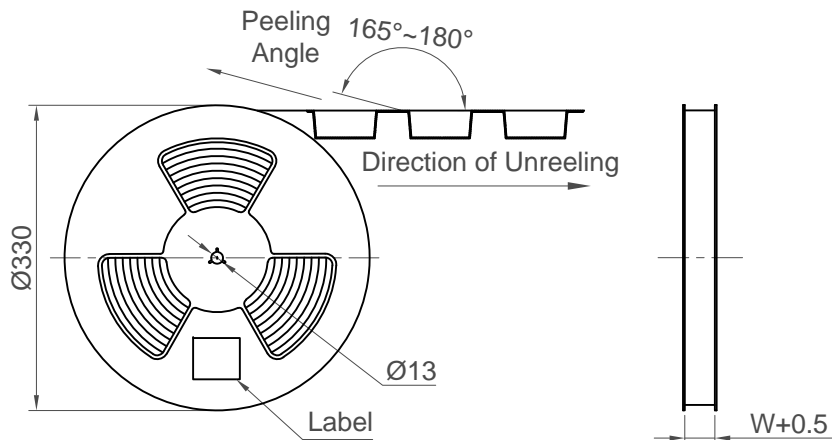
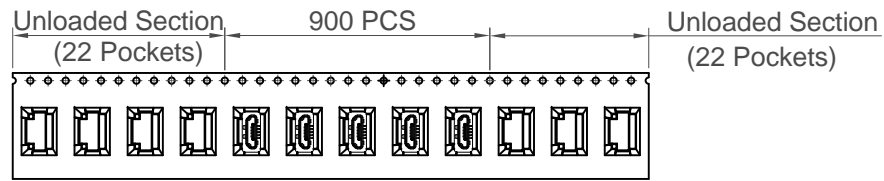


Note:

1. Solder balls may present on bottom side of the PCBA after reflow soldering. Washing & cleaning is recommended to remove debris.
2. Some additional hand soldering may be required after reflow.

Part Number		Product Description				This drawing is confidential and copyright of Global Connector Technology, Ltd (GCT). This drawing must not be copied or disclosed without written consent. E & OE
USB3190		Micro USB Receptacle, Type B, Surface Mount, Vertical, Low Profile				
Drawing Date		31st July 2020				
By	CC	Tolerances (Except as Noted)	Units:			
Detail	Drawing Release	Length	Metric (mm)			
Revision	A2	X.X ± 0.30				
Date	12/10/20	X.XX ± 0.20				
		X.XXX ± 0.10				
				Not to Scale		Drawn By CC
						Sheet No. 2/3





Pcs / Reel	Reels / Carton	Total Quantity
900	10	9,000 pcs

Part Number		Product Description	
USB3190		Micro USB Receptacle, Type B, Surface Mount, Vertical, Low Profile	
Drawing Date		31st July 2020	
By	CC	Tolerances (Except as Noted)	Units:
Detail	Drawing Release	Length	Metric (mm)
Revision	A2	X.X ± 0.30	
Date	12/10/20	X.XX ± 0.20	
		X.XXX ± 0.10	

This drawing is confidential and copyright of Global Connector Technology, Ltd (GCT). This drawing must not be copied or disclosed without written consent. E & OE



Not to Scale	Drawn By CC	Sheet No. 3/3
--------------	-------------	---------------