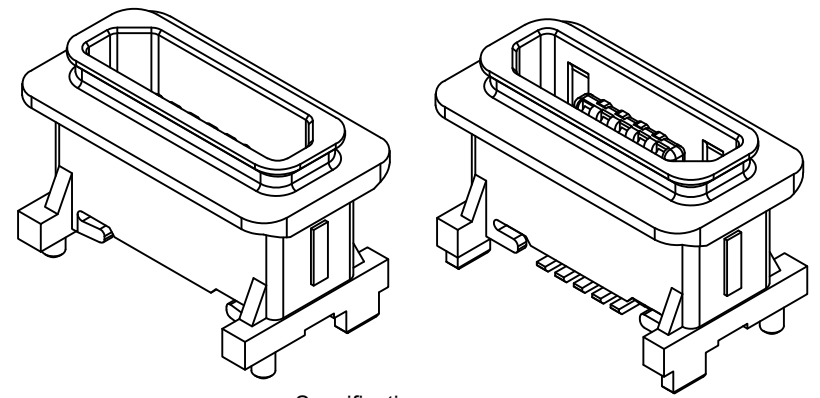


**Recommended PCB Layout**  
 As viewed from component side Tolerance: ±0.03mm  
 Recommended PCB Thickness: 0.80mm  
 [Hatched Box] Solder Area [Dashed Box] Component Outline



**Specifications**

**Material**

Insulator: High Temp. Plastic UL 94V-0, Black  
 Contact: Copper Alloy  
 Shell: Stainless Steel  
 Gasket: Silicone Rubber, Part No.: USBTJ-02B  
*(Gasket+Connector can be ordered separately or together as a KIT - USB3510-30-C-KIT)*

**Plating**

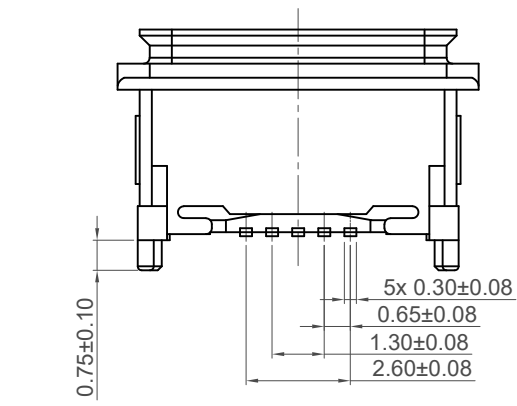
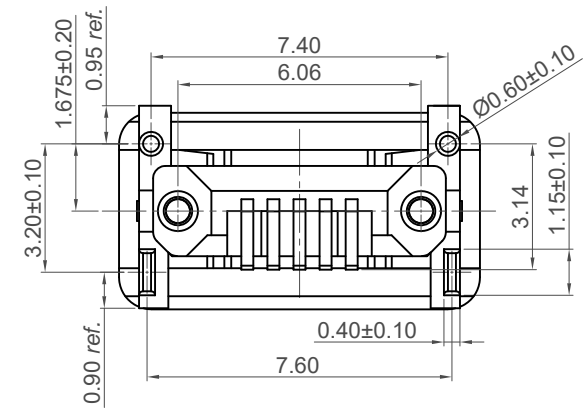
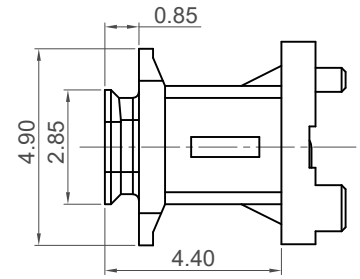
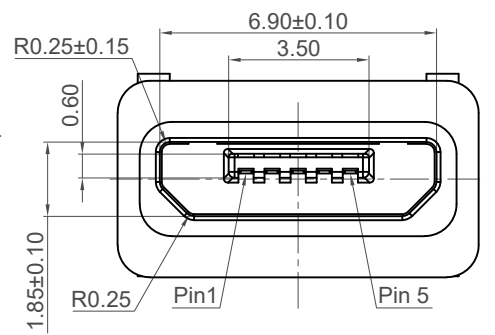
Terminal:  
 Contact area: 30µ" Gold  
 Soldering tails: Gold Flash  
 Underplating: 50µ" Min. Nickel  
 Shell: 50µ" Min. Nickel over all

**Electrical**

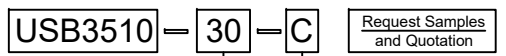
Current Rating: Signal (Pins 2,3,4): 1.0A  
 Power (Pins 1,5): 1.8A  
 Voltage Rating: 30V AC  
 Contact Resistance: 30mΩ max.  
 Dielectric Withstanding Voltage: 100V AC  
 Insulation Resistance 1000MΩ min

**Mechanical & Environmental**

Operating Temperature: -30°C to +85°C  
 Mating Force: 35N max.  
 Unmated Force: 8N min.  
 Durability: 10,000 cycles  
 Ingress Protection Rating: IP67



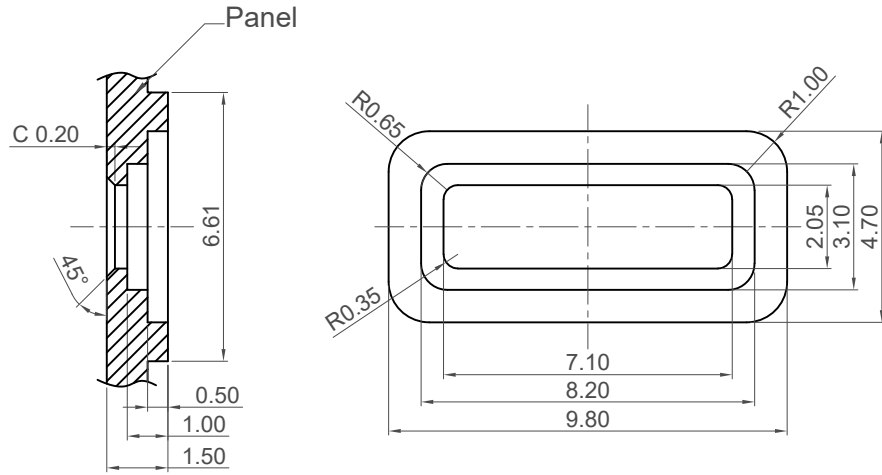
**Ordering Grid**



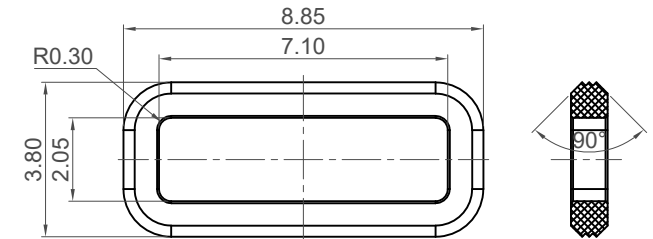
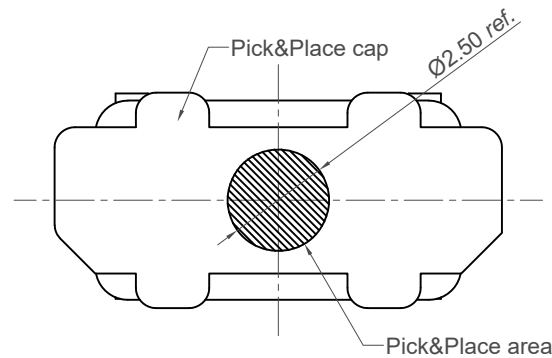
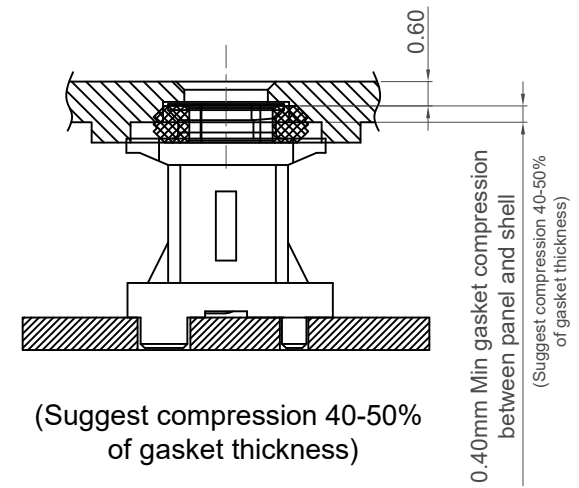
Contact Plating  
 30 = 30µ" Gold

Packing Options  
 C = Tape & Reel With Cap (700 per reel)

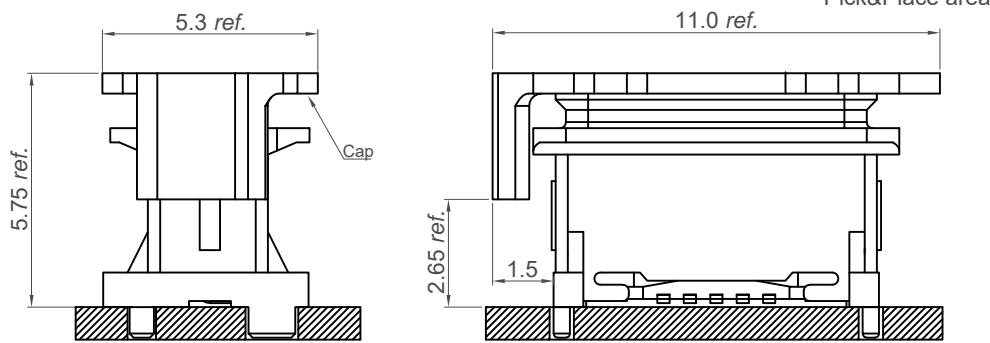
Part Number USB3510		Product Description Micro USB Type B Receptacle, Vertical, IP67			This drawing is confidential and copyright of Global Connector Technology, Ltd (GCT). This drawing must not be copied or disclosed without written consent. E & OE	<b>GCT</b> www.gct.co
Drawing Date 31st July 2023						
By CC	Drawing Release	Tolerances (Except as Noted)	Units: Metric (mm)			
Detail		X. ± 0.50	± 1°	3rd Angle Projection		
Revision	A	X.X ± 0.30				
Date	31/07/23	X.XXX ± 0.10				
Not to Scale	Drawn By CC	Sheet No. 1/4				



**Recommended Panel Spec**  
Tolerance:  $\pm 0.05\text{mm}$



**Recommended Waterproof Gasket Spec**  
Gasket Part No.: USBTJ-02B  
(Gasket+Connector can be ordered separately or together as a KIT - USB3510-30-C-KIT)  
(See separated datasheet for specification)

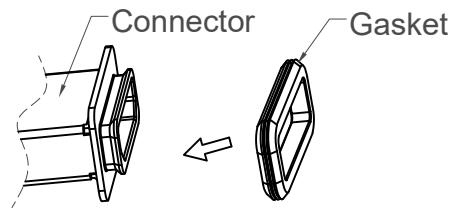


**PCB Mount & Cap Information**

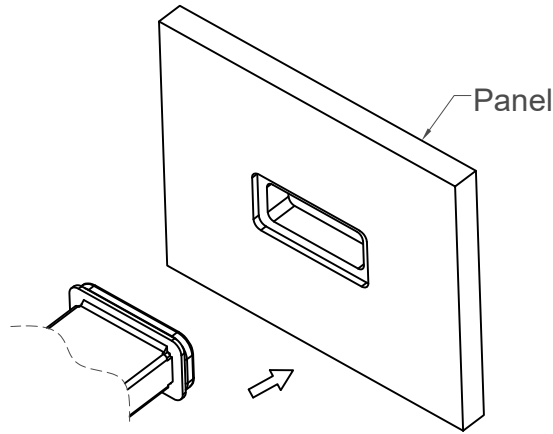
Part Number USB3510		Product Description Micro USB Type B Receptacle, Vertical, IP67			This drawing is confidential and copyright of Global Connector Technology, Ltd (GCT). This drawing must not be copied or disclosed without written consent. E & OE
Drawing Date 31st July 2023					
By CC	Drawing Release	Tolerances (Except as Noted)	Units: Metric (mm)		
Detail	A	Length X. $\pm 0.50$ X.X $\pm 0.30$ X.XX $\pm 0.20$ X.XXX $\pm 0.10$	Angle $\pm 1^\circ$		
Revision	31/07/23				
Date					



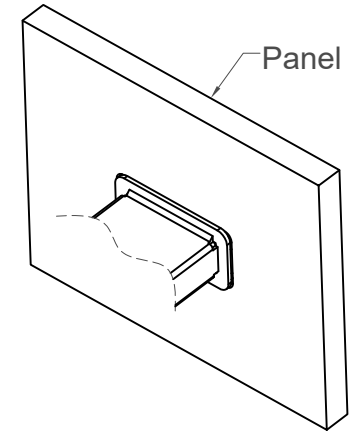
Not to Scale	Drawn By CC	Sheet No. 2/4
--------------	----------------	------------------



Step 1




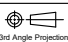


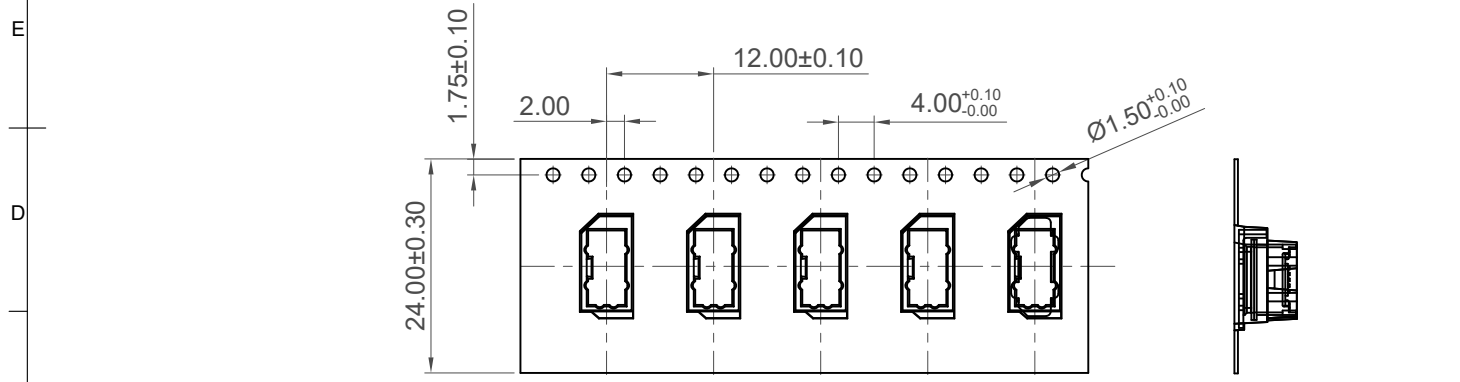
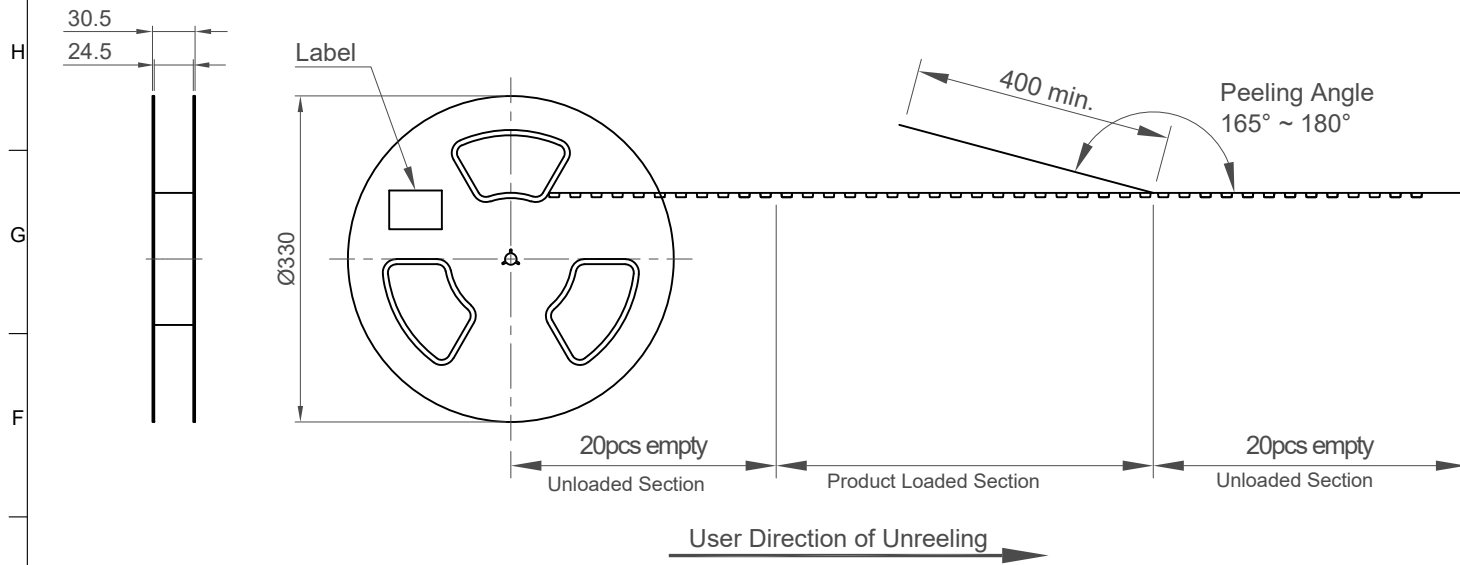
Step 2



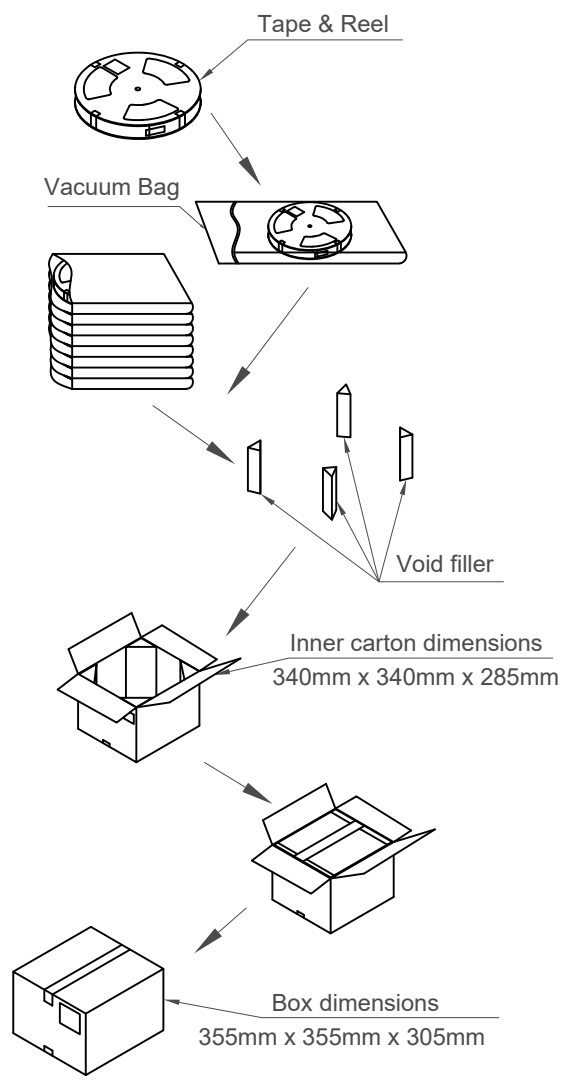
Step 3

Assembly instruction for Gasket set after Reflow  
Available for Micro USB Waterproof Series

Part Number		Product Description		 <a href="http://www.gct.co">www.gct.co</a>
USB3510		Micro USB Type B Receptacle, Vertical, IP67		
Drawing Date		31st July 2023		
By	CC	Tolerances (Except as Noted)	Units:	  This drawing is confidential and copyright of Global Connector Technology, Ltd (GCT). This drawing must not be copied or disclosed without written consent. E & OE
Detail	Drawing Release	Length X. ± 0.50 X.X ± 0.30 X.XX ± 0.20 X.XXX ± 0.10	Metric (mm)	
Revision	A	Angle ± 1°	 3rd Angle Projection	
Date	31/07/23			
Not to Scale	Drawn By CC	Sheet No. 3/4		



Pcs / Reel	Reels / Carton	Total Quantity
700	9	6300



Notes:  
Peeling off force of top tape: 0.1-1.3N (Peeling direction as shown)

Materials:  
Carrier Tape: Polystyrene (PS)  
Top Tape: PE  
Reel Tape: Polystyrene (PS)  
Bag: PE

Part Number USB3510		Product Description Micro USB Type B Receptacle, Vertical, IP67	
Drawing Date 31st July 2023			
By CC	Drawing Release	Tolerances (Except as Noted) Length	Angle
Revision A	Date 31/07/23	Units: Metric (mm)	RoHS COMPLIANT 2011/65/EU Deca-SIDE
		3rd Angle Projection	© This drawing is confidential and copyright of Global Connector Technology, Ltd (GCT). This drawing must not be copied or disclosed without written consent. E & OE

**GCT**  
www.gct.co

Not to Scale	Drawn By CC	Sheet No. 4/4
--------------	----------------	------------------

H  
G  
F  
E  
D  
C  
B  
A

1 2 3 4 5 6 7 8