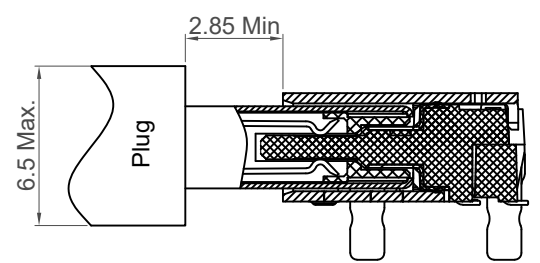
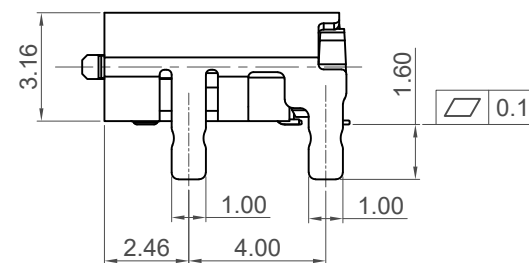
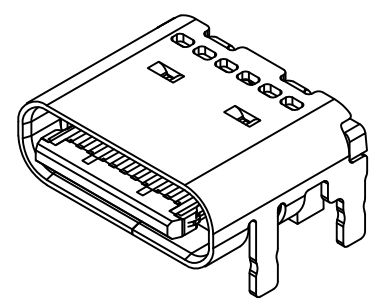


Section:A-A



Plug and Receptacle Mating View

Specifications

Material

- Insulator: LCP, UL 94V-0, Black
- Contact: Copper Alloy, T=0.12mm
- Mid Plate: Stainless Steel, T=0.15mm
- EMI Plate: Stainless Steel, T=0.10mm
- Shell: Stainless Steel, T=0.30mm

Plating

- Contact: Contact Area: 3µ" Au over 50µ" min. Nickel; Solder Tails: Gold Flash over 50µ" min. Nickel
- Shell: 30µ" min. Nickel
- Mid Plate: Underplating: 50µ" min. Nickel All Over; Solder Tails: 80µ" Matte Tin
- EMI Plate: Clear

Electrical

- Current Rating: 5.00A collectively for Vbus pins; 6.25A collectively for GND pins; 1.25A for A5/B5 pin; 0.25A per pin for all other pins
- Voltage Rating: 48V DC
- Power Rating: 240W
- Contact Resistance: 40mΩ max initial; 50mΩ max after test
- Dielectric Withstanding Voltage: 100V AC
- Insulation Resistance 100MΩ min

Mechanical & Environmental

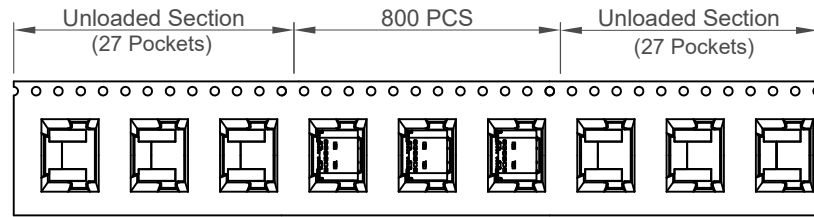
- Operating Temperature: -25°C to +85°C
- Mating Force: 5 to 20 N.
- Unmated Force: 6 to 20 N after test
- Durability: 20,000 cycles

Ordering Grid

USB4081 - **03** - **A** Request Samples and Quotation

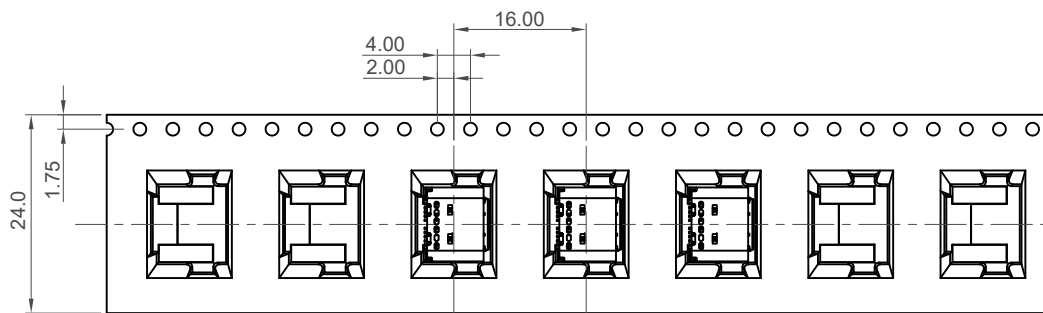
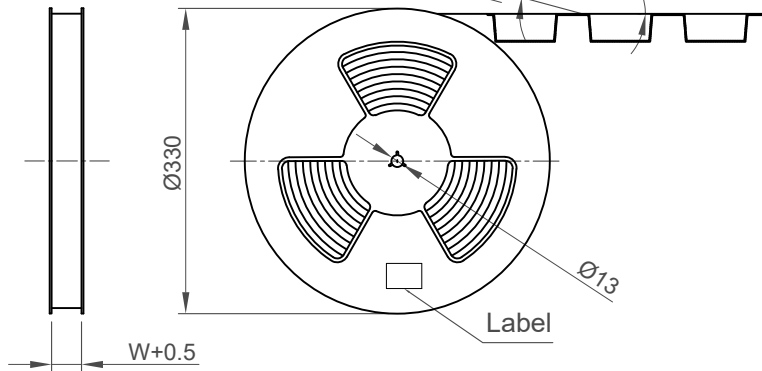
Contact Plating: 03 = 3µ" Gold
 Packing Options: A = Tape & Reel (800pcs/Reel)

Part Number		Product Description				This drawing is confidential and copyright of Global Connector Technology, Ltd (GCT). This drawing must not be copied or disclosed without written consent. E & OE		www.gct.co
USB4081		USB3.2 Gen 2 Type C Receptacle, Dual Row SMT, Horizontal, PCB Top Mount						
Drawing Date		21st December 2022						
By	CC	Tolerances (Except as Noted)	Units:					
Detail	Drawing Release	Length	Angle					
Revision	A1	X.X ± 0.30	-					
Date	02/03/22	X.XX ± 0.25	X.XXX ± 0.10					
		X.XXX ± 0.10						



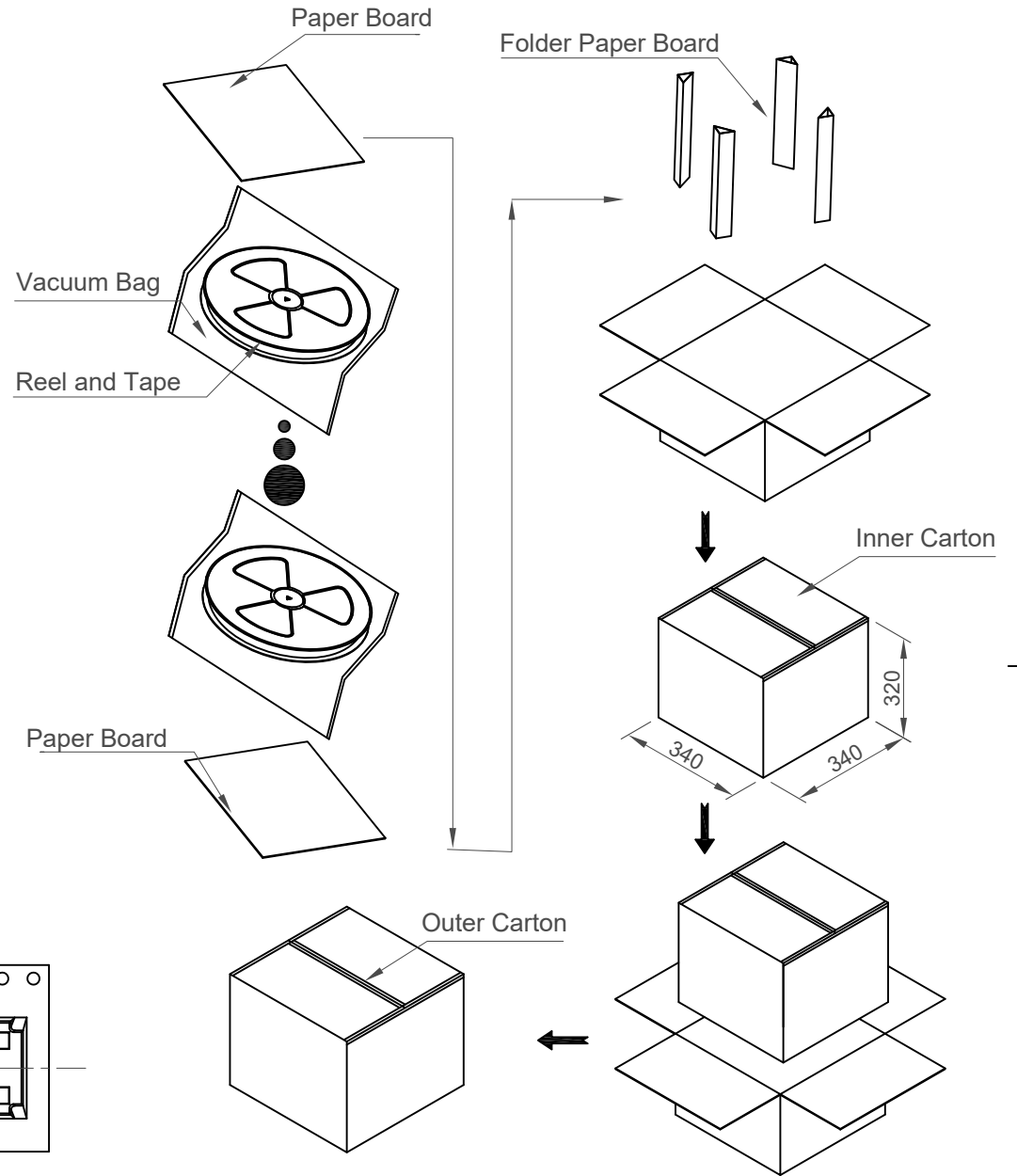
Direction of Unreeling

Peeling Angle 165°~180°



Direction of Unreeling

Pcs / Reel	Reels / Carton	Total Quantity
800	10	8000 pcs



Part Number		Product Description	
USB4081		USB3.2 Gen 2 Type C Receptacle, Dual Row SMT, Horizontal, PCB Top Mount	
Drawing Date		21st December 2022	
By	CC	Tolerances (Except as Noted)	Units:
Detail	Drawing Release	Length X.X ± 0.30	Metric (mm)
Revision	A1	Angle X.XX ± 0.25	
Date	02/03/22	X.XXX ± 0.10	
		3rd Angle Projection	
		This drawing is confidential and copyright of Global Connector Technology, Ltd (GCT). This drawing must not be copied or disclosed without written consent. E & OE	



Not to Scale	Drawn By CC	Sheet No. 3/3
--------------	-------------	---------------