

Recommended PCB Layout
As viewed from component side Tolerance: ±0.05mm

Pin	Signal	Mating Sequence	Pin	Signal	Mating Sequence
A1	GND	First	B12	GND	First
A4	Vbus	First	B9	Vbus	First
A5	CC1	Second	B8	SBU2	Second
A6	Dp1	Second	B7	Dn2	Second
A7	Dn1	Second	B6	Dp2	Second
A8	SBU1	Second	B5	CC2	Second
A9	Vbus	First	B4	Vbus	First
A12	GND	First	B1	GND	First
SHELL		GND	SHELL		GND

Specifications

Material

Insulator: High Temp. Plastic UL 94V-0, Black
 Contact: Copper Alloy
 Shell: Stainless steel
 Mid Plate: Stainless Steel

Plating

Contact: Gold Flash over 50µ" min. Nickel
 Solder Tails: Gold Flash over 50µ" min. Nickel
 Shell: 50µ" min. Nickel

Electrical

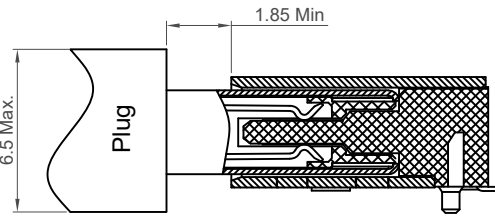
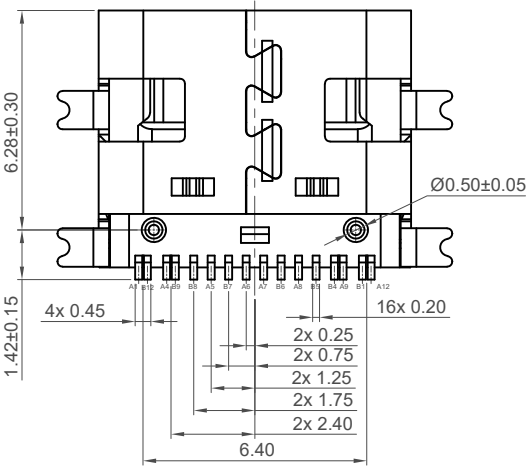
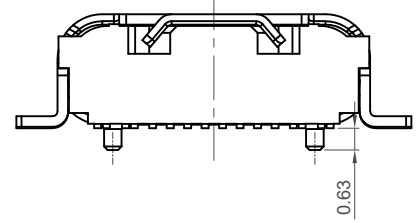
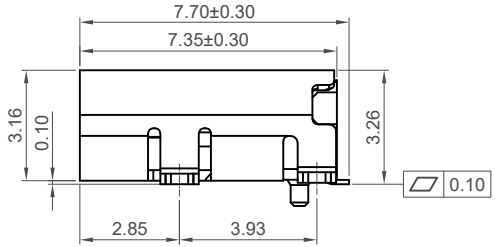
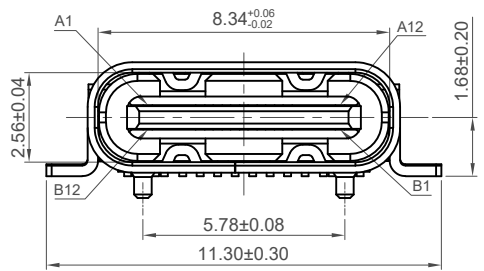
Current Rating: 5.00A collectively for Vbus pins
 6.25A collectively for GND pins
 1.25A for A5/B5 pin
 0.25A per pin for all other pins

Voltage Rating: 48V DC
 Power Rating: 240W
 Contact Resistance: 40mΩ max initial.
 50mΩ max after test

Dielectric Withstanding Voltage: 100V AC, 1 minute
 Insulation Resistance: 100MΩ min

Mechanical & Environmental

Operating Temperature: -40°C to +85°C
 Mating Force: 5 to 20 N.
 Unmated Force: 6 to 20 N after test
 Durability: 10,000 cycles



Plug and Receptacle Mating View

Ordering Grid

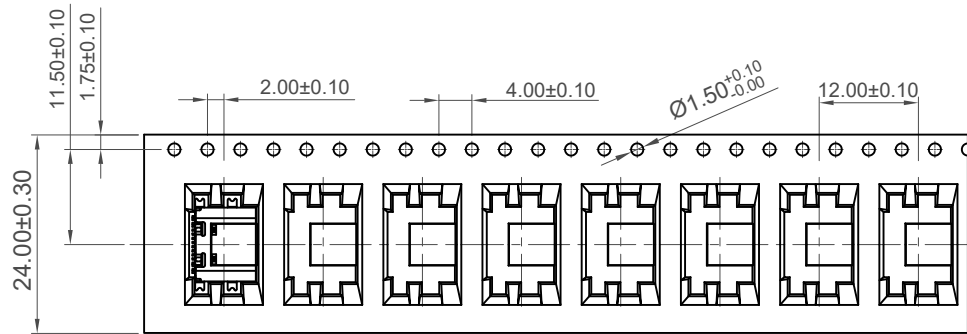
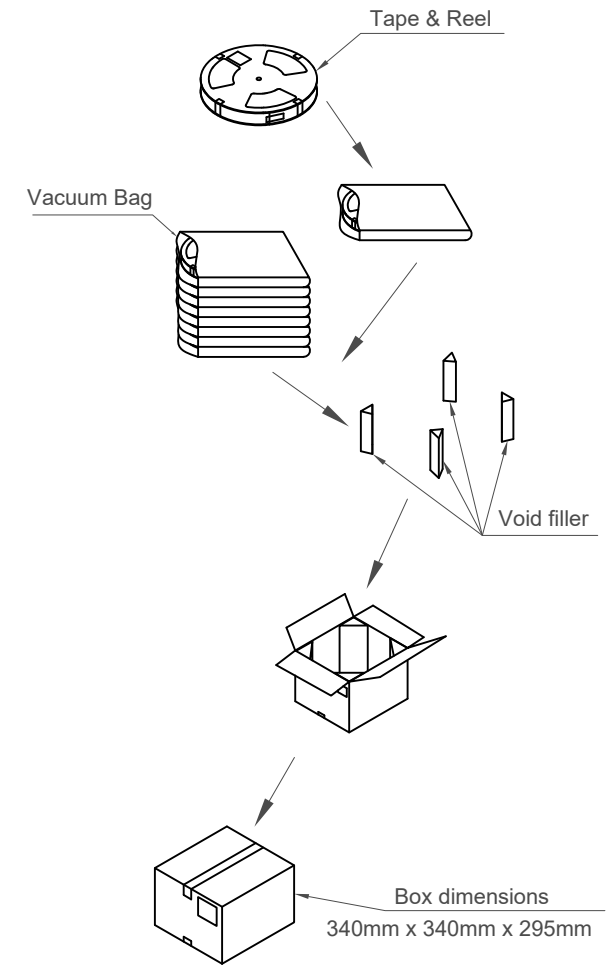
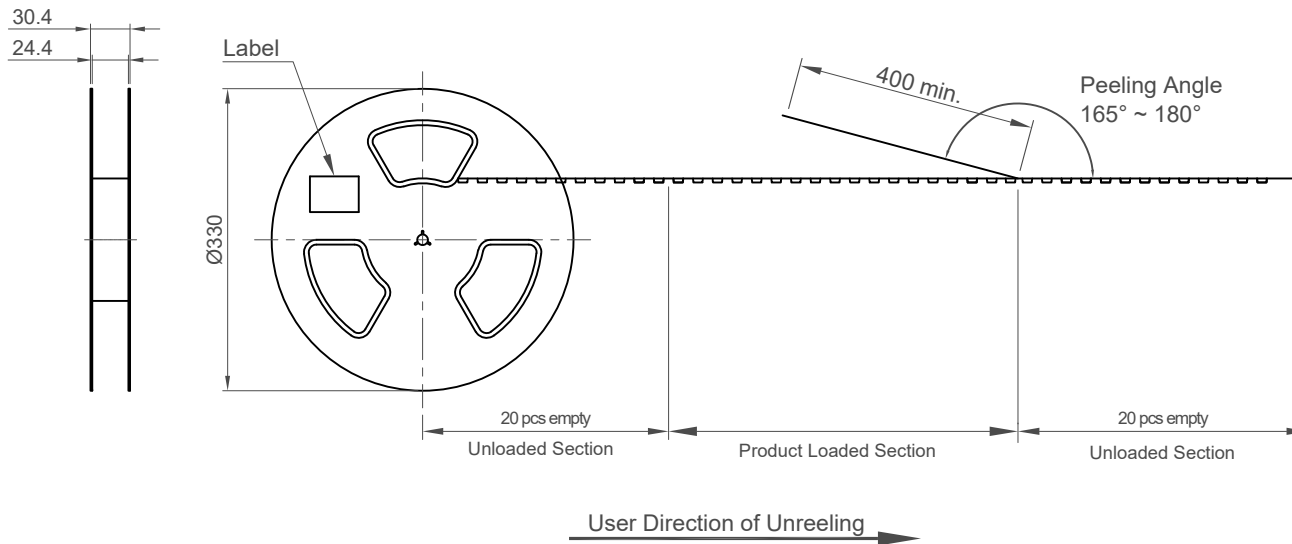
USB4110 — **GF** — **A** Request Samples and Quotation

Contact Plating: GF = Gold Flash
 Packing Options: A = Tape & Reel (1,200 per reel)

Part Number		Product Description	
USB4110		USB Type C Receptacle for USB 2.0	
Drawing Date		SMT Type, PCB Top Mount	
10th July 2019			
By	CC	Tolerances (Except as Noted)	Units:
Detail	USB4110	Length	Metric (mm)
	B PCN	X. ± 0.50	
Revision	B3	X.X ± 0.30	
Date	22/03/23	X.XX ± 0.20	
		X.XXX ± 0.10	
		Angle	± 2°
This drawing is confidential and copyright of Global Connector Technology, Ltd (GCT). This drawing will not be copied or disclosed without written consent. E & OE			

GCT
www.gct.co

Not to Scale	Drawn By CC	Sheet No. 1/2
--------------	-------------	---------------



Notes:

Peeling off force of top tape: 0.1-1.3N (Peeling direction as shown)

Materials:




Carrier Tape: Polystyrene (PS)

Top Tape: PE

Reel Tape: Polystyrene (PS)

Bag: PE

Pcs / Reel	Reels / Carton	Total Quality
1200	9	10800 pcs

Part Number USB4110		Product Description USB Type C Receptacle for USB 2.0		 www.gct.co
Drawing Date 10th July 2019		SMT Type, PCB Top Mount		
By CC	Tolerances (Except as Noted)	Units: Metric (mm)	 This drawing is confidential and copyright of Global Connector Technology, Ltd (GCT). This drawing must not be copied or disclosed without written consent. E & OE	
Detail USB4110 B PCN	Length X. ± 0.50 X.X ± 0.30 X.XX ± 0.20 X.XXX ± 0.10	Angle ± 2°	 Not to Scale	Drawn By CC
Revision B3	Date 22/03/23			Sheet No. 2/2