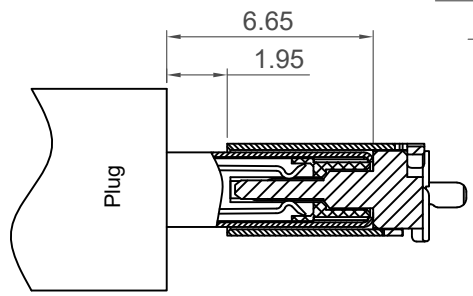
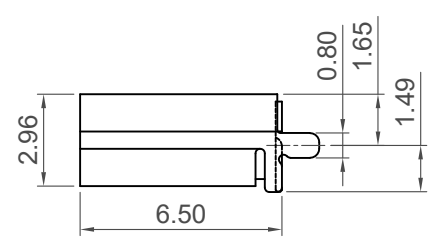
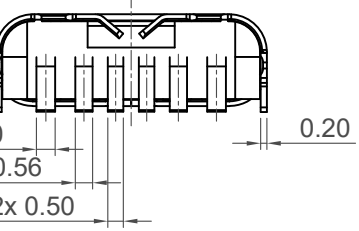


Recommended PCB Layout
Thickness 1.00 to 1.20
Tolerance: ±0.05mm

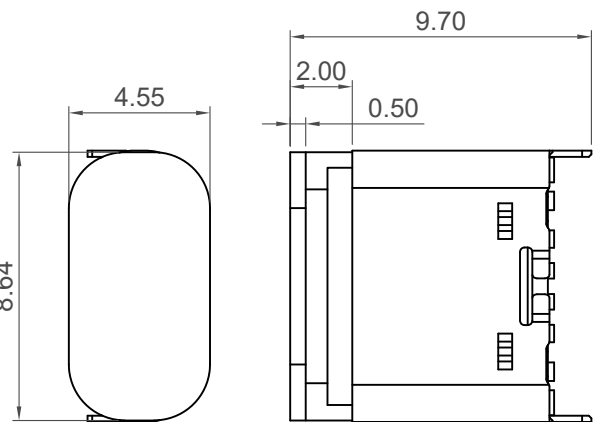
■ Solder Area □ Component Outline



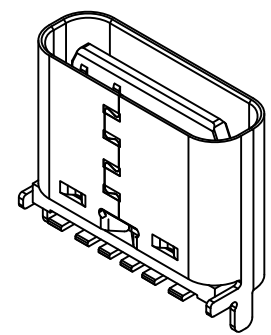
Plug and Receptacle Mating View



Pin	Signal	Mating Sequence
A5	CC1	Second
A9	Vbus	First
A12	GND	First
B5	CC2	Second
B9	Vbus	First
B12	GND	First
SHELL		GND



Cap Information



Specifications

Material
Insulator: LCP, UL 94V-0, Black
Contact: Copper Alloy
Shell: Stainless Steel
Middle Plate: Stainless Steel

Plating
Contact: Gold Flash All Over
Shell: 50µ" min. Nickel
Middle Plate: Clear

Electrical
Current Rating: 3.00A collectively for Vbus pins
4.25A collectively for GND pins
1.25A for B5 pin
0.25A for A5 pin
Voltage Rating: 20V DC
Contact Resistance: 40mΩ max initial.
50mΩ max after test
Dielectric Withstanding Voltage: 100V AC
Insulation Resistance 100MΩ min

Mechanical & Environmental
Operating Temperature: -30°C to +85°C
Mating Force: 5 to 20 N.
Unmated Force: 6 to 20 N after test
Durability: 10,000 cycles

Ordering Grid
USB4130 = **GF** = **C** Request Samples and Quotation
Contact Plating: GF = Gold Flash
Packing Options: C = Tape & Reel With Cap (600 per reel)

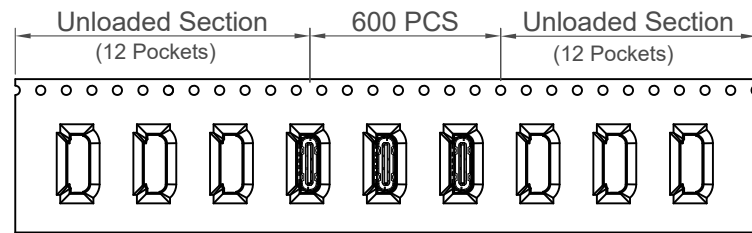
Part Number		Product Description	
USB4130		USB Type C Receptacle, Vertical, SMT, For Power charging only	
Drawing Date		26th November 2020	
By	CC	Tolerances (Except as Noted)	Units:
Detail	Drawing Release	Length	Metric (mm)
Revision	A1	Angle	3rd Angle Projection
Date	22/11/22	X.X ± 0.30	
		X.XX ± 0.25	
		X.XXX ± 0.10	



This drawing is confidential and copyright of Global Connector Technology, Ltd (GCT). This drawing must not be copied or disclosed without written consent. E & OE

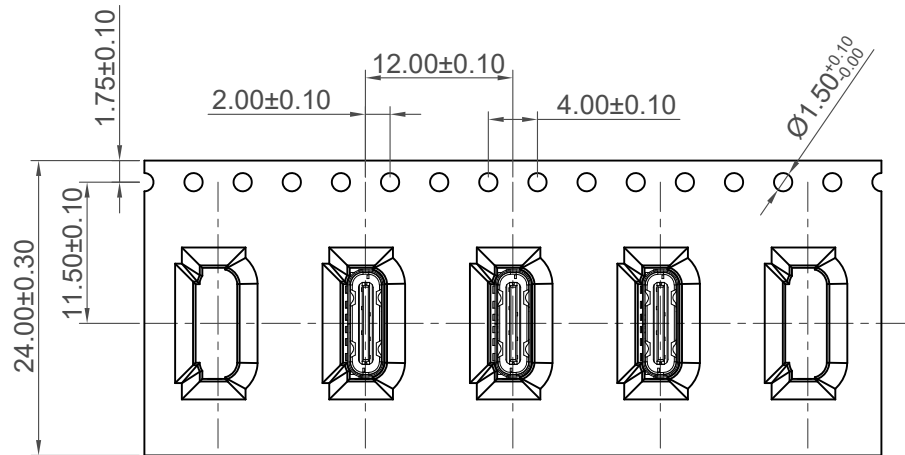
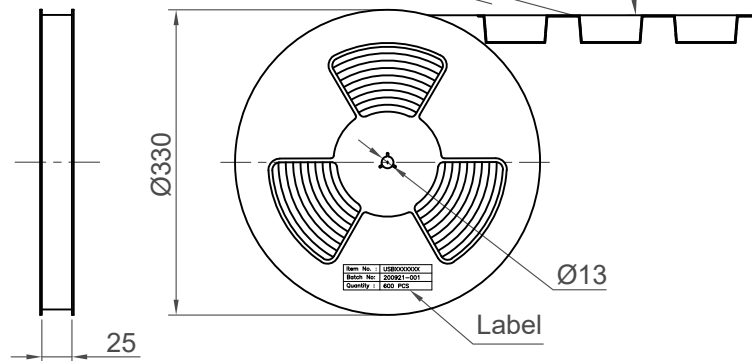


Not to Scale	Drawn By CC	Sheet No. 1/2
--------------	-------------	---------------

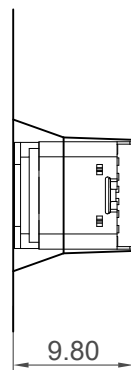
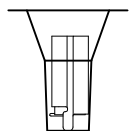


Direction of Unreeling

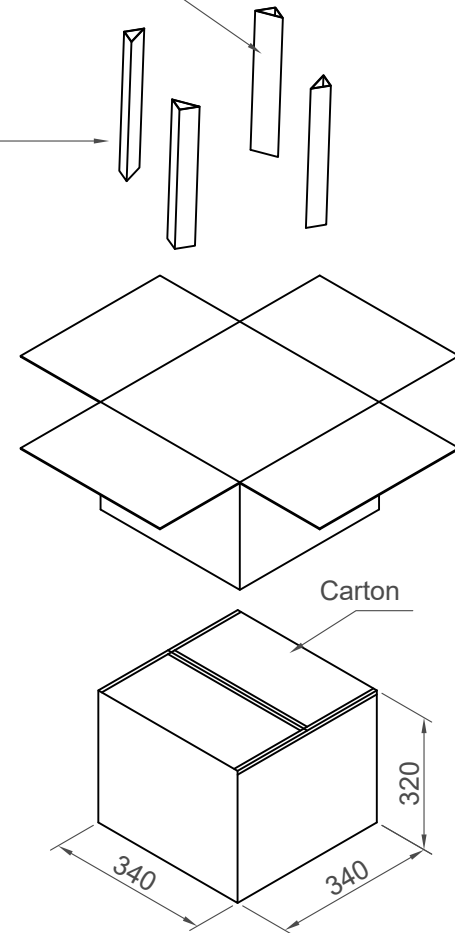
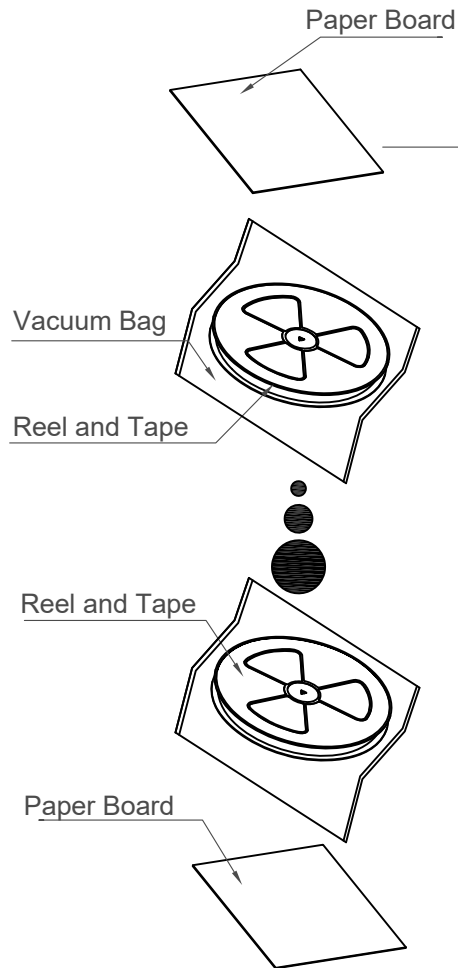
Peeling Angle 165°~180°



Direction of Unreeling



Folder Paper Board



Pcs / Reel	Reels / Carton	Total Quantity
600	10	6,000 pcs

Part Number		Product Description	
USB4130		USB Type C Receptacle, Vertical, SMT, For Power charging only	
Drawing Date		20th November 2020	
By	CC	Tolerances (Except as Noted)	Units:
Detail	Drawing Release	Length	Metric (mm)
Revision	A1	Angle	
Date	22/11/22		



This drawing is confidential and copyright of Global Connector Technology, Ltd (GCT). This drawing must not be copied or disclosed without written consent. E & OE



Not to Scale Drawn By CC Sheet No. 2/2