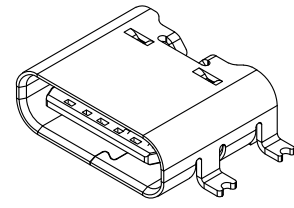


Pin	Signal	Mating Sequence
A5	CC1	Second
A9	Vbus	First
A12	GND	First
B5	CC2	Second
B9	Vbus	First
B12	GND	First
SHELL	GND	



**Specifications**

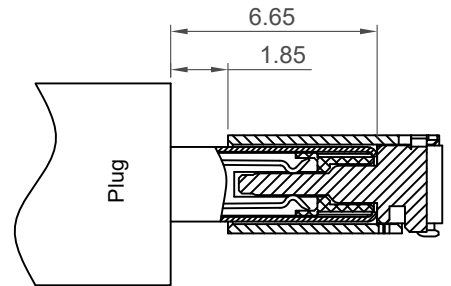
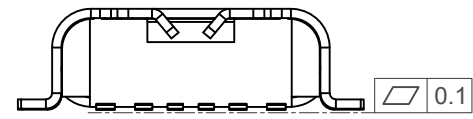
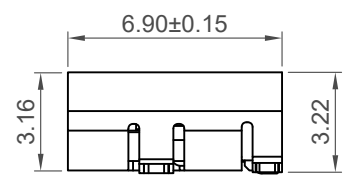
**Material**  
 Insulator: LCP, UL 94V-0, Black  
 Contact: Copper Alloy  
 Shell: Stainless Steel  
 Middle Plate: Stainless Steel

**Plating**  
 Contact: Gold Flash All Over  
 Shell: 50µ" min. Nickel  
 Middle Plate: Clear

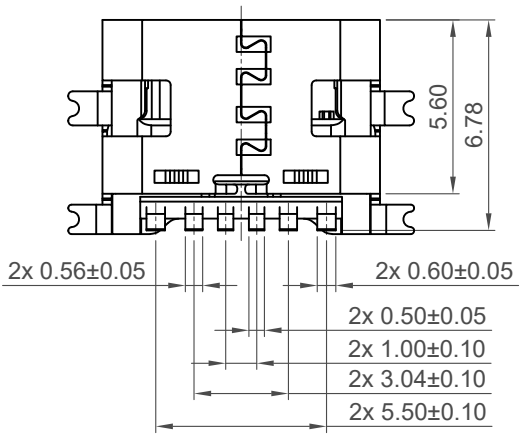
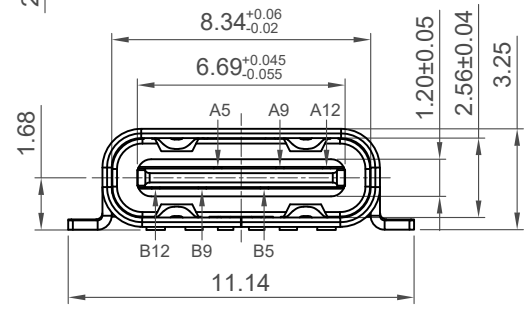
**Electrical**  
 Current Rating: 3.00A collectively for VBUS pins  
 4.25A collectively for GND pins  
 1.25A for B5 pin  
 0.25A for A5 pin  
 Voltage Rating: 20V DC  
 Contact Resistance: 40mΩ max initial.  
 50mΩ max after test  
 Dielectric Withstanding Voltage: 100V AC  
 Insulation Resistance 100MΩ min

**Mechanical & Environmental**  
 Operating Temperature: -30°C to +85°C  
 Mating Force: 5 to 20 N.  
 Unmated Force: 6 to 20 N after test  
 Durability: 20,000 cycles

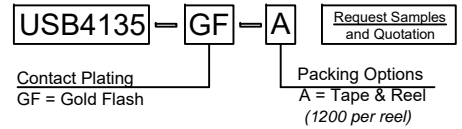
**Recommended PCB Layout**  
 Tolerance: ±0.05mm  
 ▨ Solder Area □ Component Outline



**Plug and Receptacle Mating View**



**Ordering Grid**



**Contact Plating**  
 GF = Gold Flash

**Packing Options**  
 A = Tape & Reel  
 (1200 per reel)

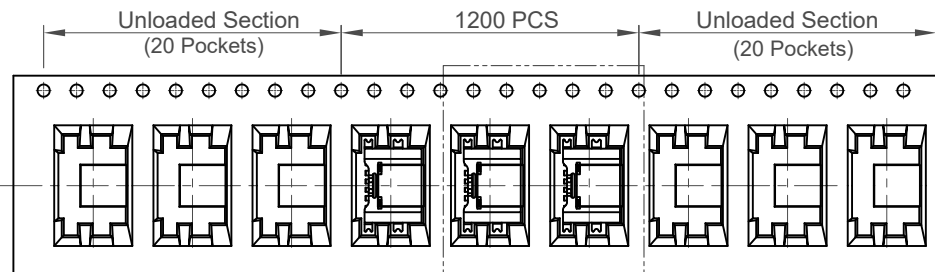
Part Number		Product Description	
USB4135		Type C Receptacle, Horizontal, SMT, For Power Charging Only	
Drawing Date		21st January 2022	
By	CC	Tolerances (Except as Noted)	Units:
Detail	Drawing Release	Length X.X ± 0.30	Metric (mm)
Revision	A1	Angle X.XX ± 0.25	
Date	22/11/22	X.XXX ± 0.10	



This drawing is confidential and copyright of Global Connector Technology, Ltd (GCT). This drawing must not be copied or disclosed without written consent. E & OE



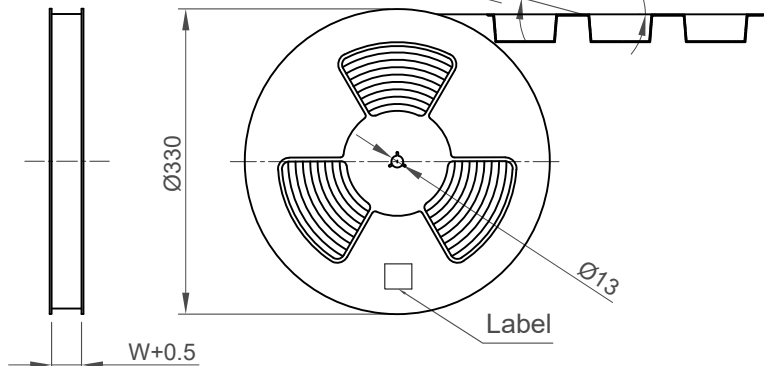
Not to Scale	Drawn By CC	Sheet No. 1/2
--------------	----------------	------------------



Direction of Unreeling

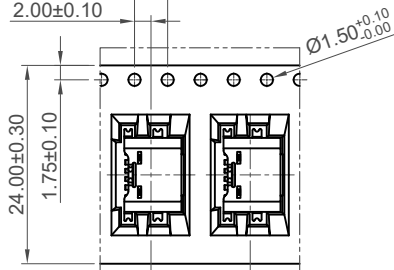
Detail E

Peeling Angle 165°~180°

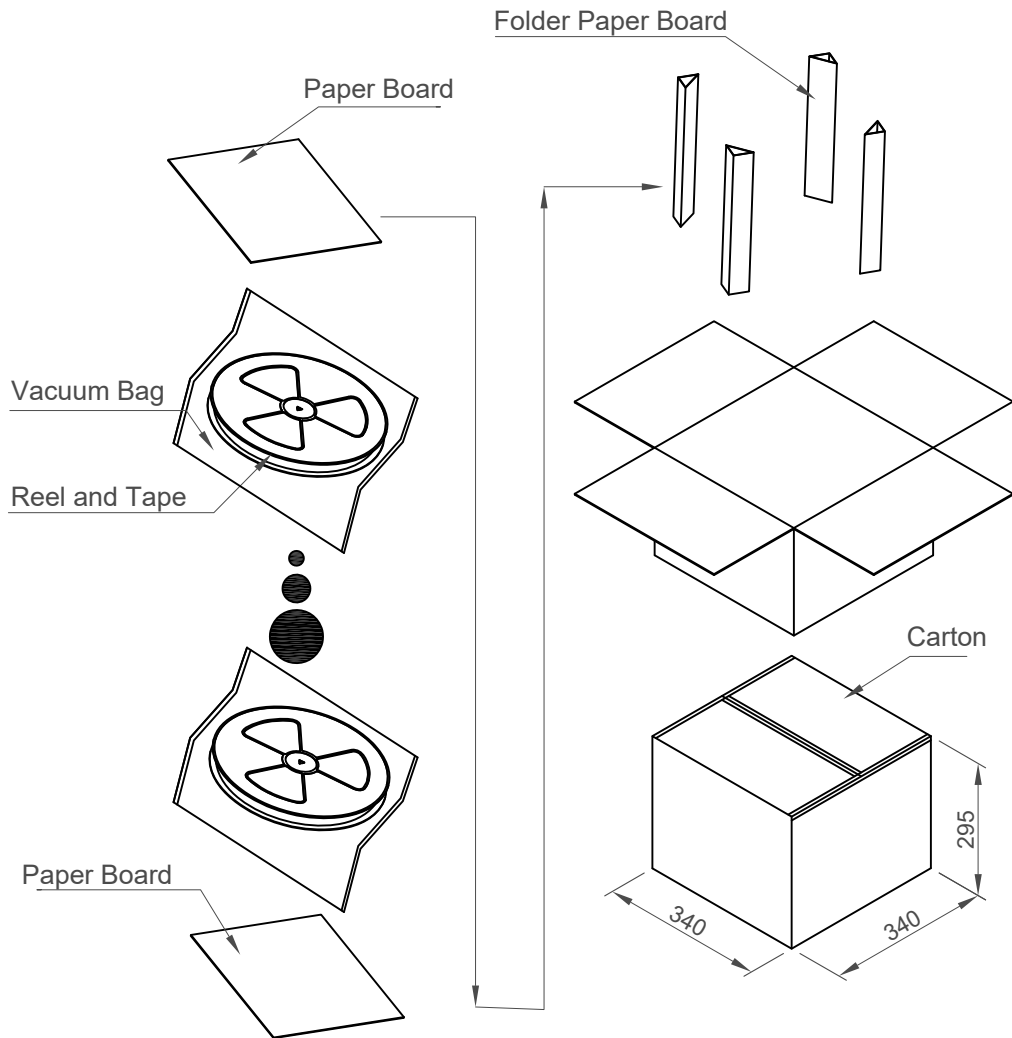


Direction of Unreeling

4.00±0.10  
2.00±0.10



Detail: E



Pcs / Reel	Reels / Carton	Total Quantity
1200	9	10800 pcs

Part Number		Product Description	
USB4135		Type C Receptacle, Horizontal, SMT, For Power Charging Only	
Drawing Date		21st January 2022	
By	CC	Tolerances (Except as Noted)	Units:
Detail	Drawing Release	Length	Metric (mm)
Revision	A1	X.X ± 0.30	
Date	22/11/22	X.XX ± 0.25	
		X.XXX ± 0.10	
		This drawing is confidential and copyright of Global Connector Technology, Ltd (GCT). This drawing must not be copied or disclosed without written consent. E & OE	

**GCT**  
www.gct.co

Not to Scale	Drawn By CC	Sheet No. 2/2
--------------	-------------	---------------