

Specifications

Material

Insulator: PA9T, UL 94V-0, Black  
 Contact: Copper Alloy  
 Shell: Stainless Steel  
 Middle Plate: Stainless Steel

Plating

Contact  
 Contact Area: Gold Flash Over 50µ" min. Nickel  
 Solder Tails: Gold Flash Over 50µ" min. Nickel  
 Shell: 30µ" min. Nickel  
 Middle Plate: Clear

Electrical

Current Rating: 3.00A collectively for VBUS pins  
 4.25A collectively for GND pins  
 1.25A for A5/B5 pin

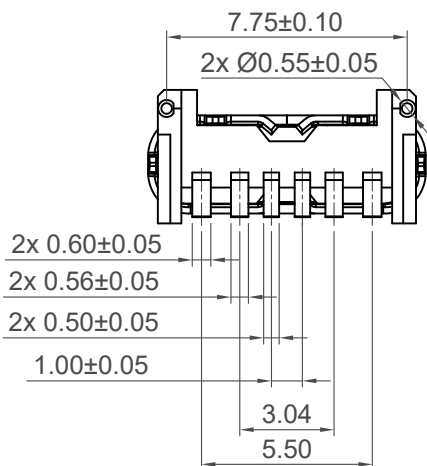
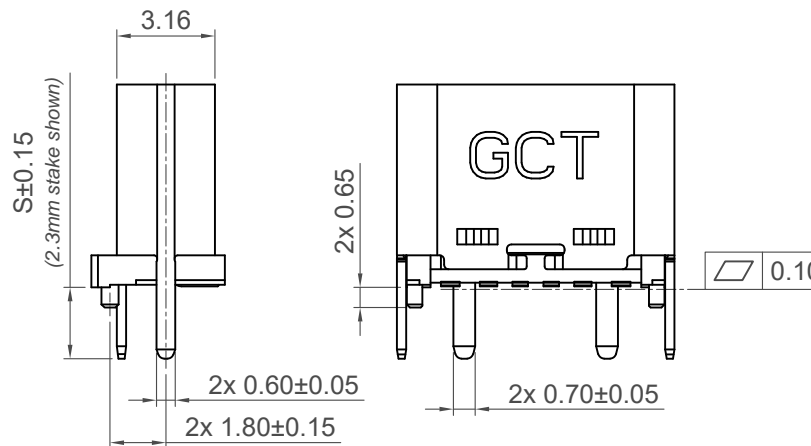
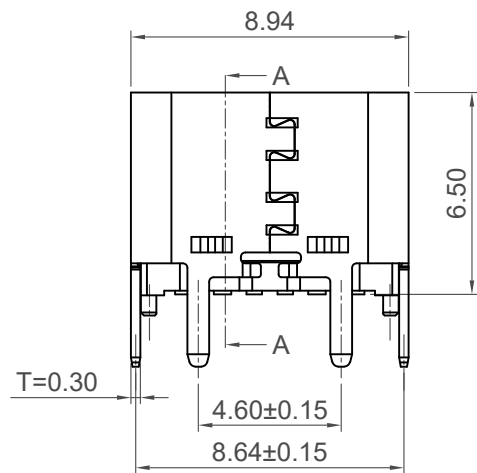
Voltage Rating: 20V DC

Contact Resistance: 40mΩ max initial.  
 50mΩ max after test

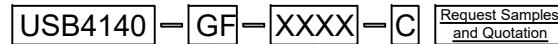
Dielectric Withstanding Voltage: 100V AC  
 Insulation Resistance 100MΩ min

Mechanical & Environmental

Operating Temperature: -25°C to +85°C  
 Mating Force: 5 to 20 N.  
 Unmated Force: 6 to 20 N after test  
 Durability: 20K cycles



Ordering Grid



Contact Plating  
 GF = Gold Flash

Packing Options  
 C = Tape & Reel with Cap  
 (400 per reel)

Shell Stake Length "S"

0070 = 0.70mm  
 0170 = 1.70mm  
 0230 = 2.30mm

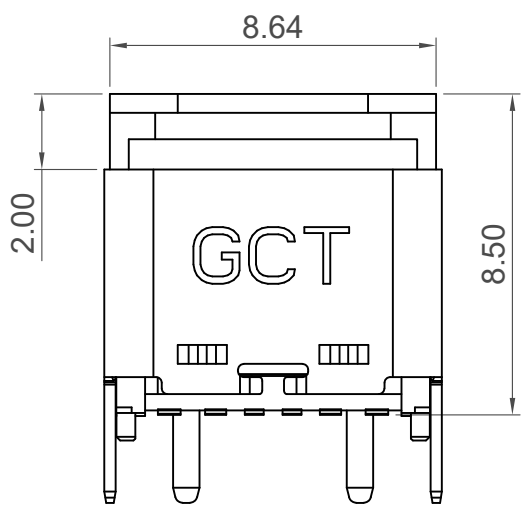
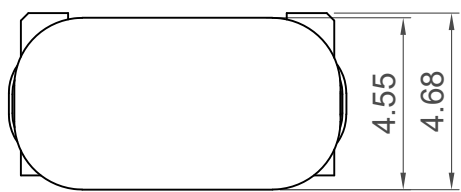
Part Number		Product Description	
USB4140		USB Type C Receptacle, Vertical, SMT, For Power charging only, H=6.50mm, 6 Pin	
Drawing Date		25th February 2022	
By	CC	Tolerances (Except as Noted)	Units:
Detail	Drawing Release	Length X.X ± 0.30 X.XX ± 0.20 X.XXX ± 0.10	Metric (mm)
Revision	A1	Angle	3rd Angle Projection
Date	27/06/22		



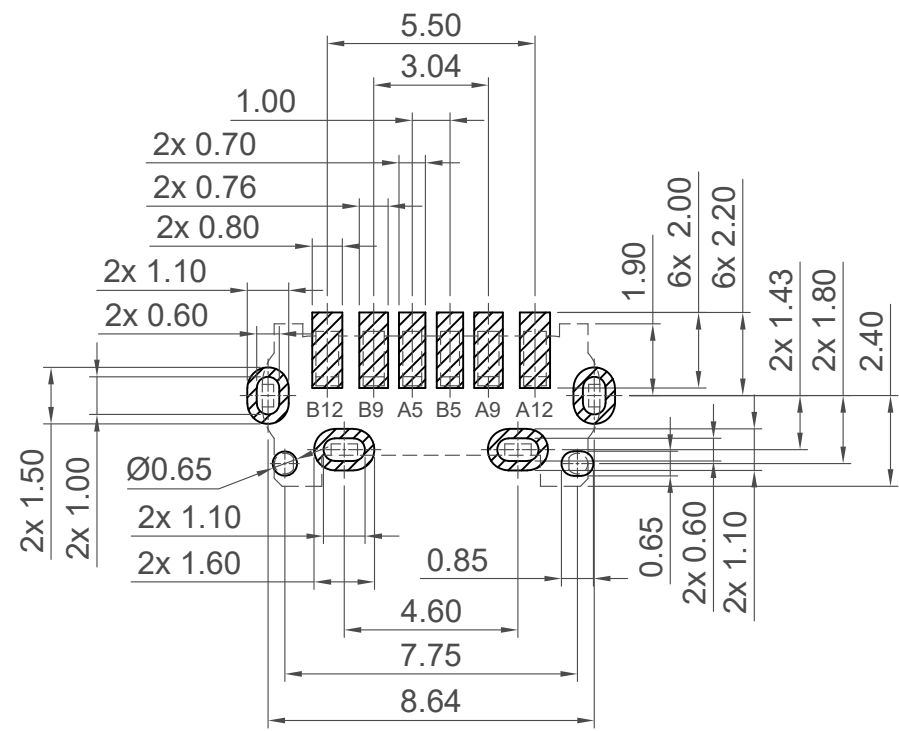
This drawing is confidential and copyright of Global Connector Technology, Ltd (GCT). This drawing must not be copied or disclosed without written consent. E & OE



Not to Scale  
 Drawn By CC  
 Sheet No. 1/4



Cap Information



**Recommended PCB Layout**

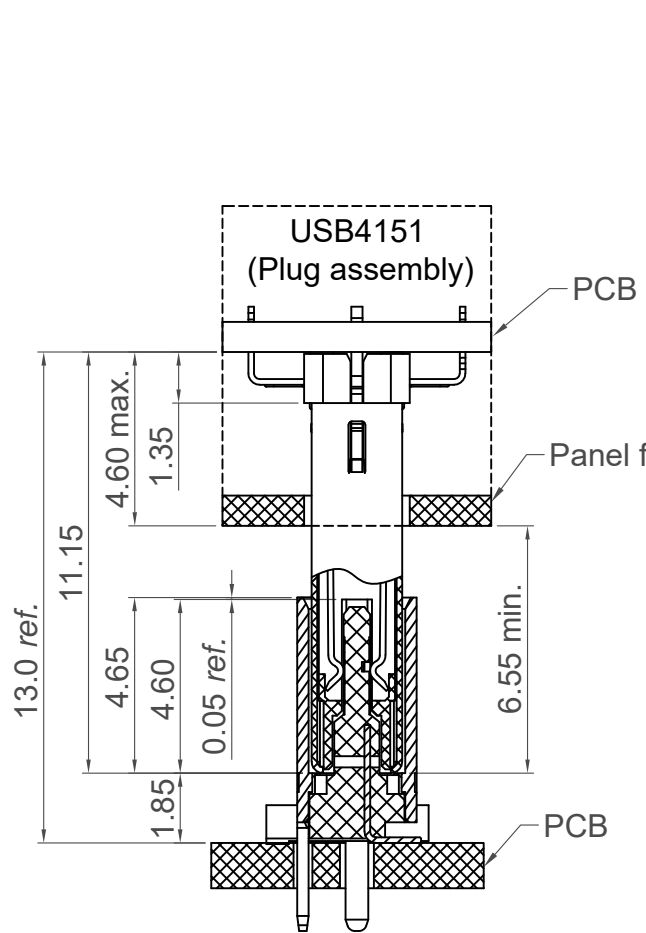
Tolerance:  $\pm 0.05\text{mm}$

▨ Solder Area    □ Component Outline

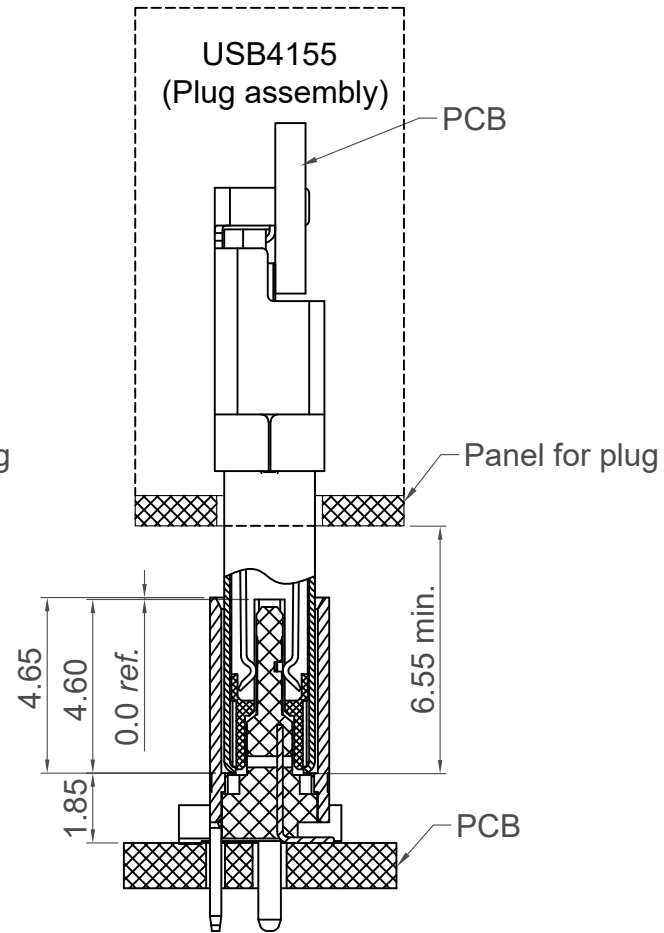
Pin	Signal	Mating Sequence
A5	CC1	Second
A9	V <sub>BUS</sub>	First
A12	GND	First
B5	CC2	Second
B9	V <sub>BUS</sub>	First
B12	GND	First
SHELL		GND

Part Number USB4140		Product Description USB Type C Receptacle, Vertical, SMT, For Power charging only, H=6.50mm, 6 Pin	
Drawing Date 25th February 2022			
By CC	Detail Drawing Release	Tolerances (Except as Noted) Length X.X ± 0.30 X.XX ± 0.20 X.XXX ± 0.10	Units: Metric (mm)
Revision A1	Date 27/06/22	3rd Angle Projection	
		This drawing is confidential and copyright of Global Connector Technology, Ltd (GCT). This drawing must not be copied or disclosed without written consent. E & OE	
Not to Scale	Drawn By CC	Sheet No. 2/4	



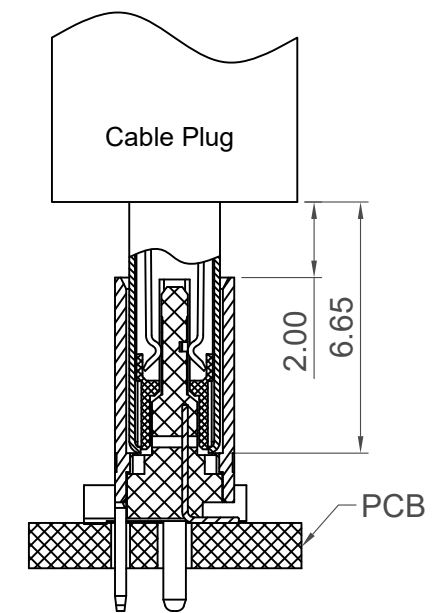


USB4140  
(Receptacle assembly)



USB4140  
(Receptacle assembly)

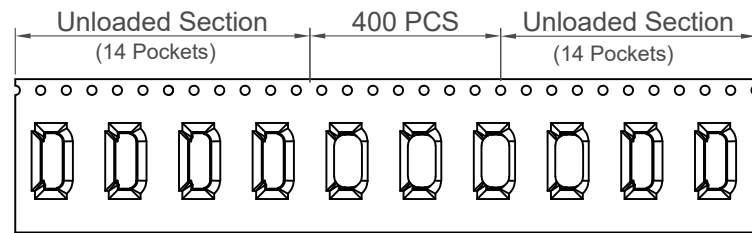
Plug and Receptacle Mating View



USB4140  
(Receptacle assembly)

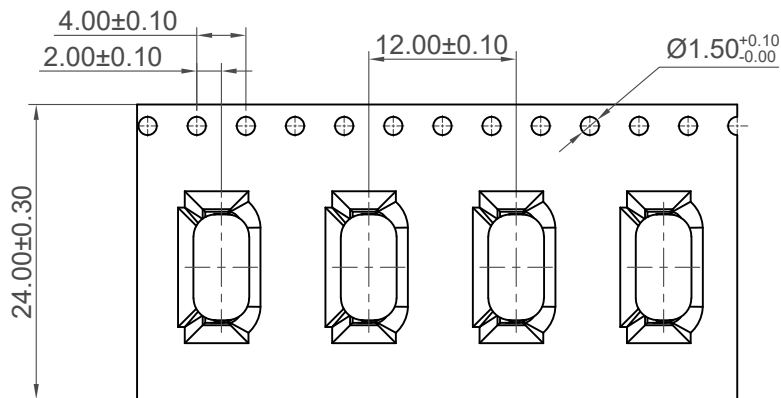
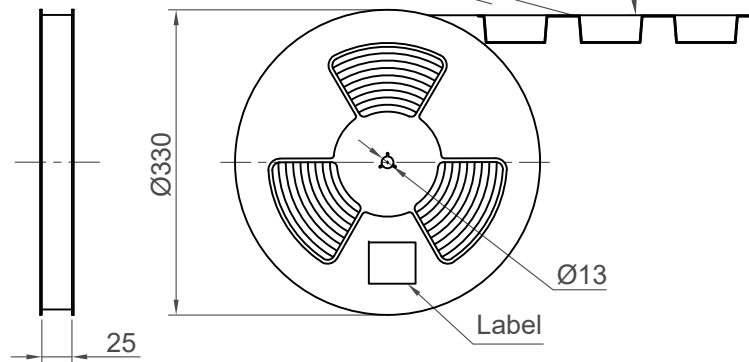
Part Number		Product Description	
USB4140		USB Type C Receptacle, Vertical, SMT, For Power charging only, H=6.50mm, 6 Pin	
Drawing Date		25th February 2022	
By	CC	Tolerances (Except as Noted)	Units:
Detail	Drawing Release	Length X.X ± 0.30	Metric (mm)
Revision	A1	Angle X.XX ± 0.20	 3rd Angle Projection
Date	27/06/22	X.XXX ± 0.10	
		 This drawing is confidential and copyright of Global Connector Technology, Ltd (GCT). This drawing must not be copied or disclosed without written consent. E & OE	
Not to Scale		Drawn By	Sheet No.
		CC	3/4



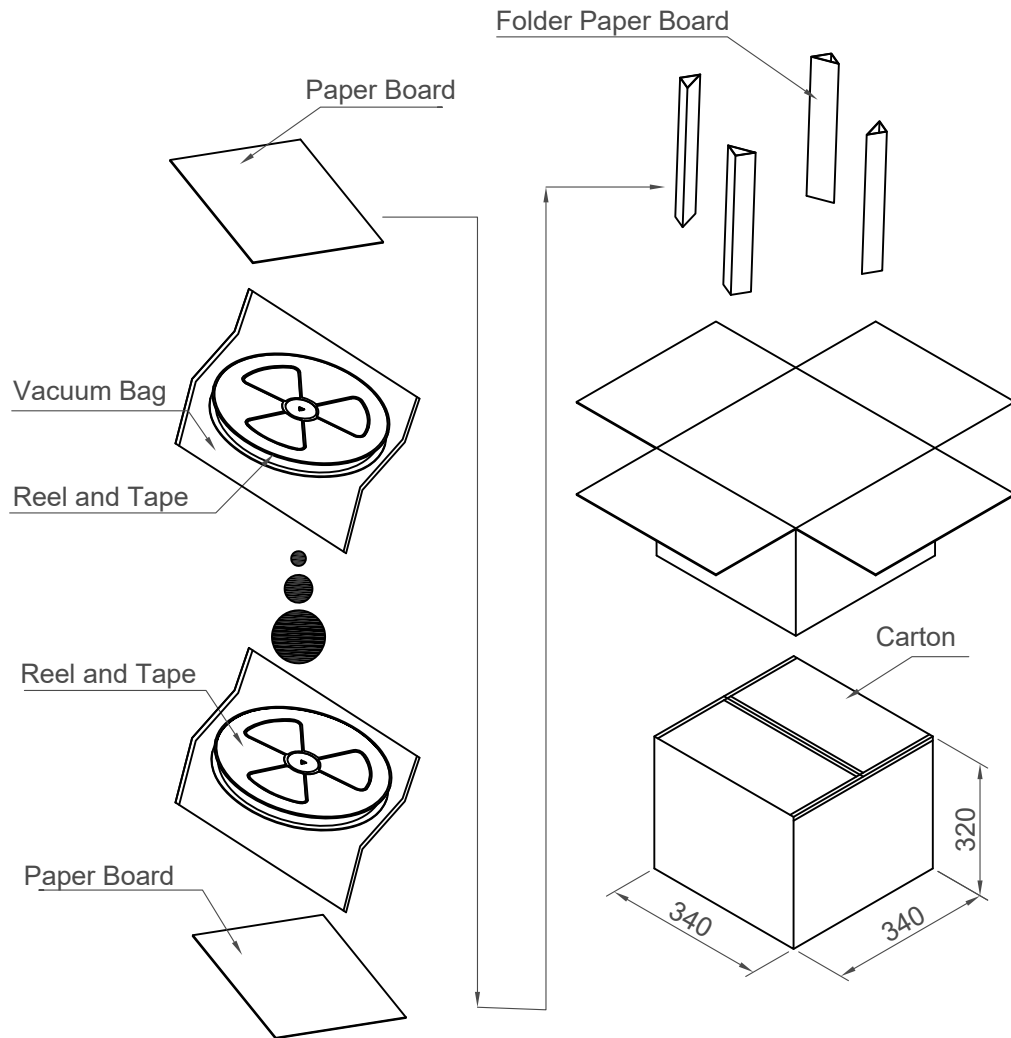


Direction of Unreeling

Peeling Angle 165°~180°



Direction of Unreeling



Pcs / Reel	Reels / Carton	Total Quantity
400	10	4,000 pcs

Part Number		Product Description	
USB4140		USB Type C Receptacle, Vertical, SMT, For Power charging only, H=6.50mm, 6 Pin	
Drawing Date		25th February 2022	
By	CC	Tolerances (Except as Noted)	Units:
Detail	Drawing Release	Length	Metric (mm)
Revision	A1	Angle	3rd Angle Projection
Date	27/06/22		



This drawing is confidential and copyright of Global Connector Technology, Ltd (GCT). This drawing must not be copied or disclosed without written consent. E & OE



Not to Scale  
Drawn By CC  
Sheet No. 4/4