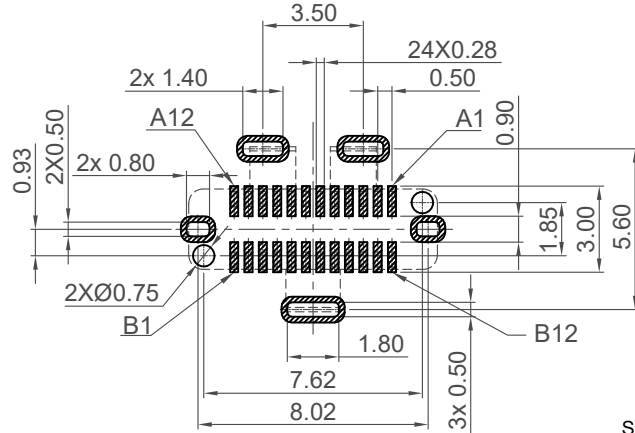


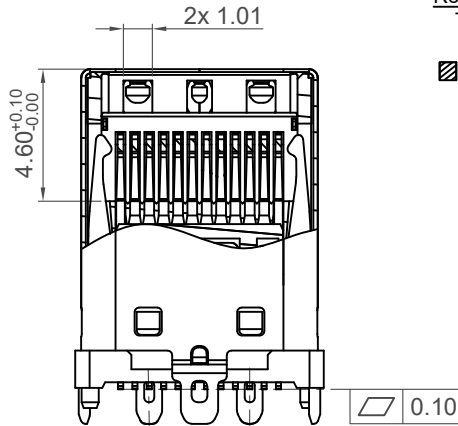
Section A-A



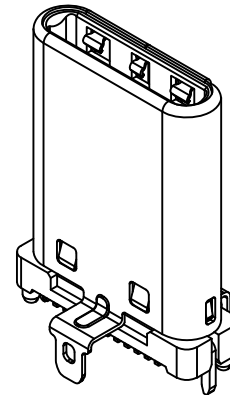
**Recommended PCB Layout**

Thickness 0.8±0.10mm  
Tolerance: ±0.05mm

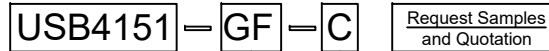
Solder Area Component Outline



Section B-B



**Ordering Grid**



**Contact Plating**  
GF = Gold Flash

**Packing Options**  
C = Tape & Reel with Cap  
(400 per reel)

Pin	Signal	Mating Sequence	Pin	Signal	Mating Sequence
A1	GND	First	B12	GND	First
A2	SSTXp1	Second	B11	SSRXp1	Second
A3	SSTXn1	Second	B10	SSRXn1	Second
A4	Vbus	First	B9	Vbus	First
A5	CC1	Second	B8	SBU2	Second
A6	Dp1	Second	B7	Dn2	Second
A7	Dn1	Second	B6	Dp2	Second
A8	SBU1	Second	B5	CC2	Second
A9	Vbus	First	B4	Vbus	First
A10	SSRXn2	Second	B3	SSTXn2	Second
A11	SSRXp2	Second	B2	SSTXp2	Second
A12	GND	First	B1	GND	First
SHELL	GND		SHELL	GND	

**Specifications**

**Material**

Insulator: LCP, UL 94V-0, Black  
Contact: C7025, T=0.15mm  
Shell: SUS304, T=0.15mm  
Latch: SUS301, T=0.30mm  
Spring: SUS304, T=0.10mm

**Plating**

**Contact**  
Contact Area: Gold Flash over 50µ" min. Nickel  
Solder Tails: 80µ" min. Matte Tin over 50µ" min. Nickel  
**Shell:** 50µ" min. Nickel  
**Latch:** 80µ" min. Tin  
**Spring:** 50µ" min. Nickel

**Electrical**

Current Rating: 5.00A collectively for Vbus pins  
6.25A collectively for GND pins  
1.25A for A5/B5 pin  
0.25A per pin for all other pins

Voltage Rating: 48V DC

Power Rating: 240W

Contact Resistance: 40mΩ max initial.

50mΩ max after test

Dielectric Withstanding Voltage: 100V AC

Insulation Resistance 100MΩ min

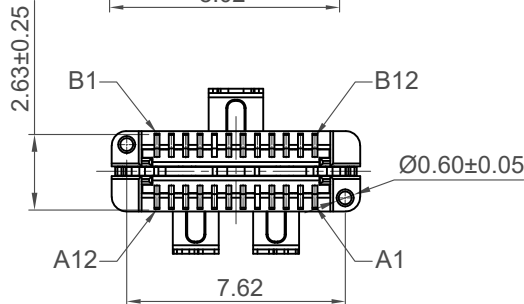
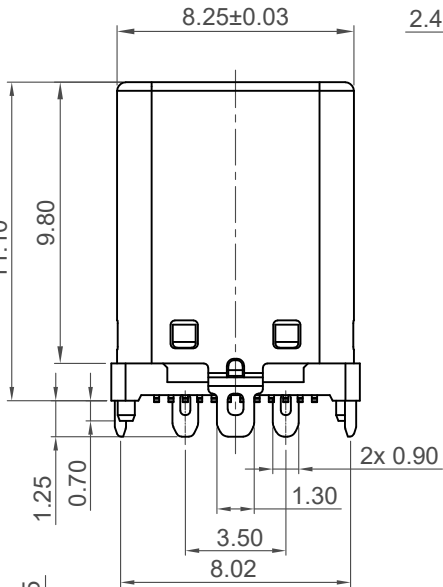
**Mechanical & Environmental**

Operating Temperature: -40°C to +85°C

Mating Force: 5 to 20 N.

Unmated Force: 6 to 20 N after test

Durability: 10,000 cycles



Part Number		Product Description	
USB4151		USB3.2 Gen2 Type C Plug, Vertical, SMT	
Drawing Date		14th January 2020	
By	CC	Tolerances (Except as Noted)	Units:
Detail	USB4151	Length	Metric (mm)
	B PCN	X.X ± 0.30	
Revision	B3	X.XX ± 0.25	
Date	08/05/23	X.XXX ± 0.10	

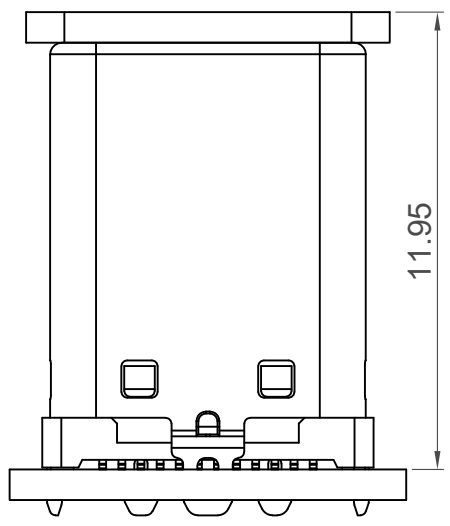
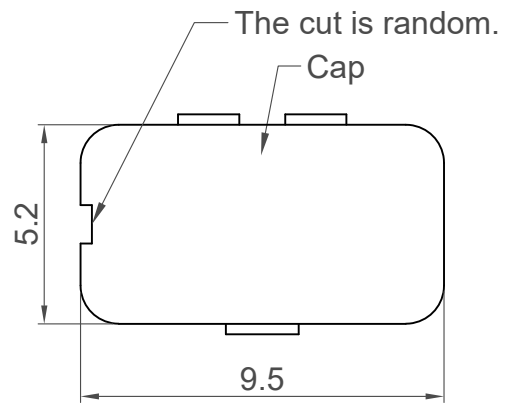


This drawing is confidential and copyright of Global Connector Technology, Ltd (GCT). This drawing must not be copied or disclosed without written consent. E & OE

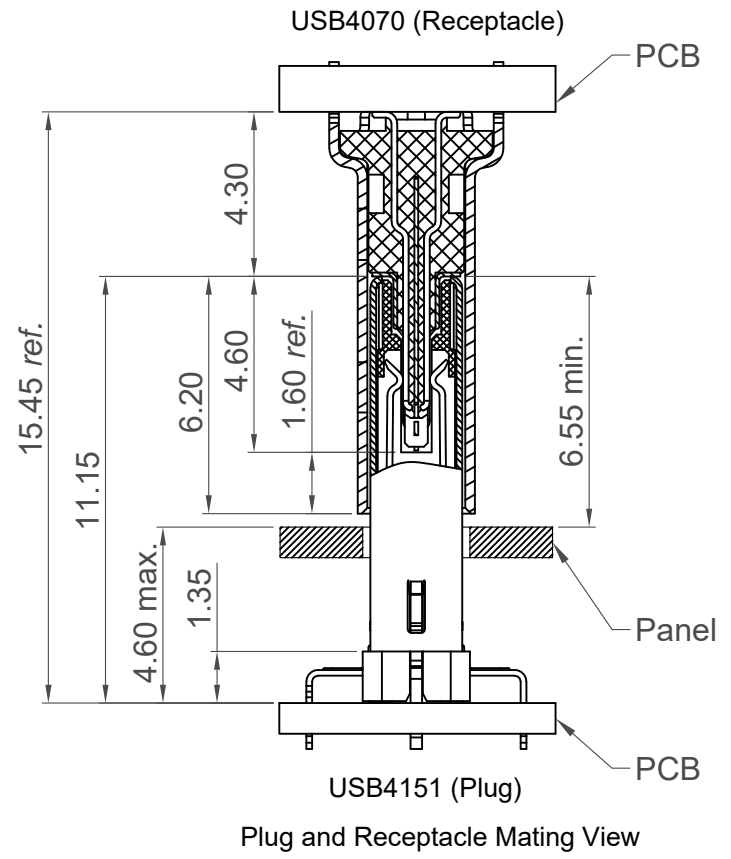
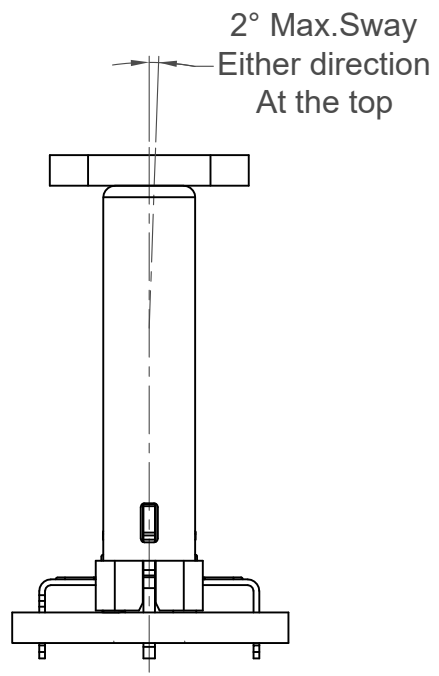


Not to Scale	Drawn By CC	Sheet No. 1/3
--------------	-------------	---------------

H  
G  
F  
E  
D  
C  
B  
A



PCB Mount&Cap Information



Part Number		Product Description	
USB4151		USB3.2 Gen2 Type C Plug,Vertical, SMT	
Drawing Date		14th January 2020	
By	CC	Tolerances (Except as Noted)	Units:
Detail	USB4151 B PCN	Length X.X ± 0.30	Metric (mm)
Revision	B3	Angle X.XX ± 0.25	 3rd Angle Projection
Date	08/05/23	X.XXX ± 0.10	

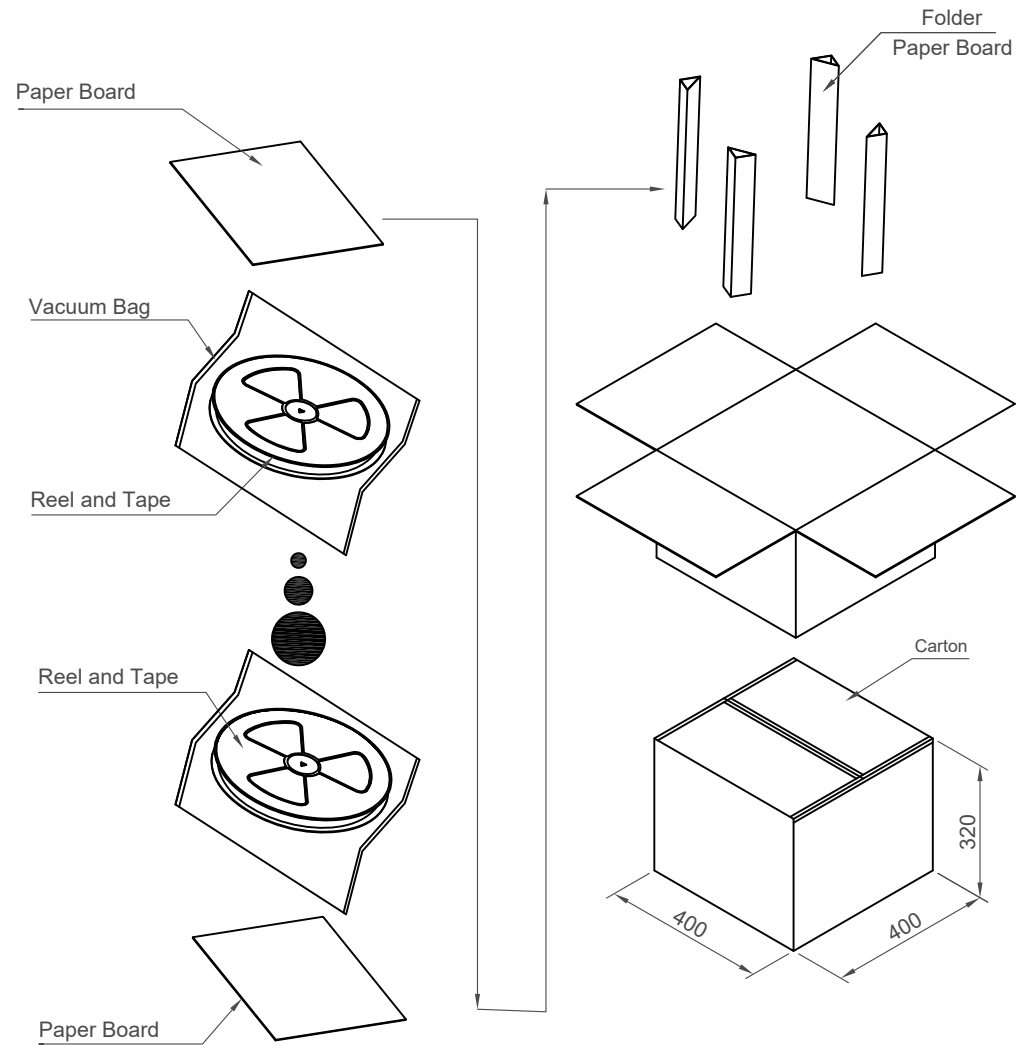
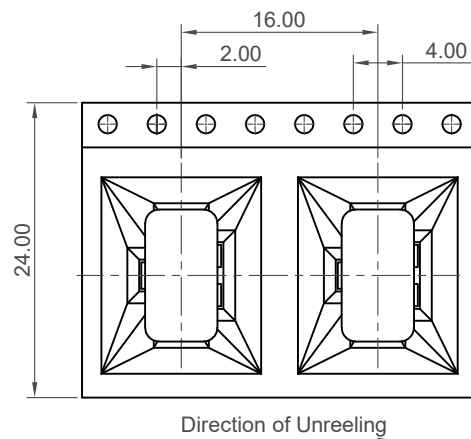
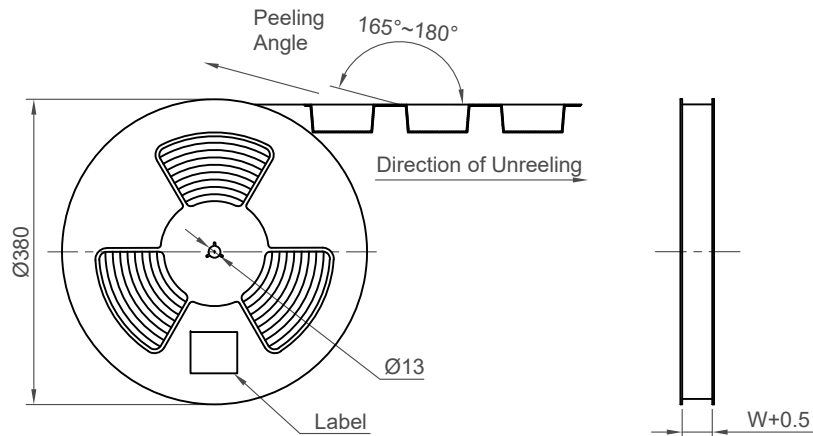
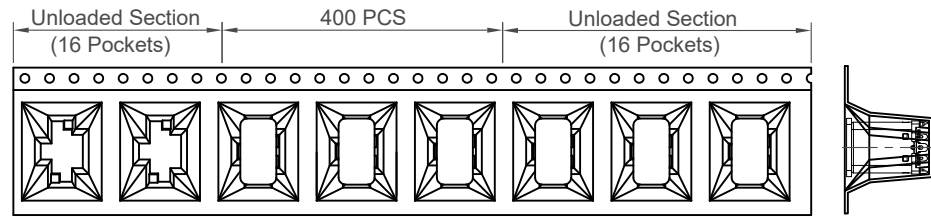


This drawing is confidential and copyright of Global Connector Technology, Ltd (GCT). This drawing must not be copied or disclosed without written consent. E & OE



Not to Scale	Drawn By CC	Sheet No. 2/3
--------------	----------------	------------------

1 2 3 4 5 6 7 8



Pcs / Reel	Reels / Carton	Total Quantity
400	10	4,000 pcs

Part Number		Product Description	
USB4151		USB3.2 Gen2 Type C Plug, Vertical, SMT	
Drawing Date		14th January 2020	
By	CC	Tolerances (Except as Noted)	Units:
Detail	USB4151 B PCN	Length X.X ± 0.30	Metric (mm)
Revision	B3	Angle X.XX ± 0.25	 3rd Angle Projection
Date	08/05/23	X.XXX ± 0.10	



This drawing is confidential and copyright of Global Connector Technology, Ltd (GCT). This drawing must not be copied or disclosed without written consent. E & OE



Not to Scale      Drawn By CC      Sheet No. 3/3