

Specifications

Material

Insulator: PA9T, UL 94V-0, Black
 Contact: Copper Alloy
 Mid Plate: Stainless Steel
 EMI Plate: Stainless Steel
 Shell: Stainless Steel

Plating

Contact
 Contact Area: 3u" Au over 50µ" min. Nickel
 Solder Tails: Gold Flash over 50µ" min. Nickel
 Shell: 30µ" min. Nickel
 Mid Plate: Clear
 EMI Plate: Clear

Electrical

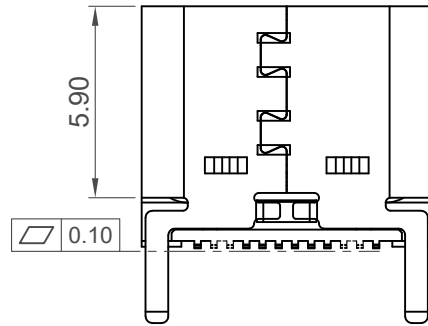
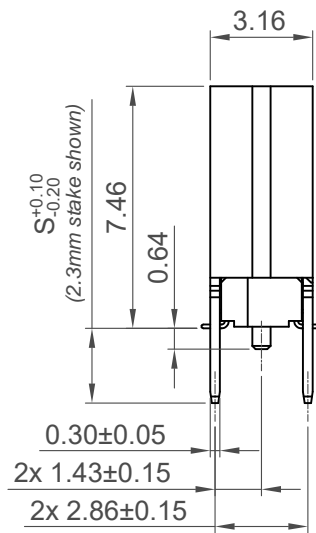
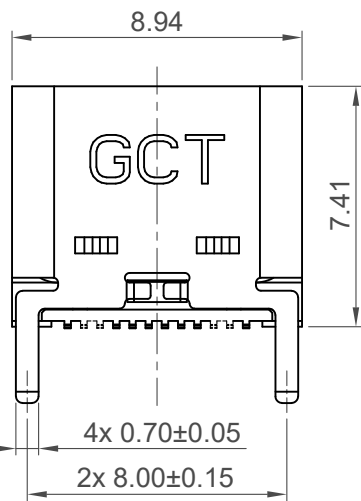
Current Rating: 5.00A collectively for VBUS pins
 6.25A collectively for GND pins
 1.25A for A5/B5 pin
 0.25A per pin for all other pins

Voltage Rating: 48V DC
 Power Rating: 240W
 Contact Resistance: 40mΩ max initial.
 50mΩ max after test

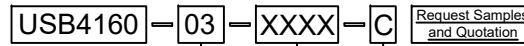
Dielectric Withstanding Voltage: 100V AC
 Insulation Resistance 100MΩ min

Mechanical & Environmental

Operating Temperature: -25°C to +85°C
 Mating Force: 5 to 20 N.
 Unmated Force: 6 to 20 N after test
 Durability: 20K cycles



Ordering Grid

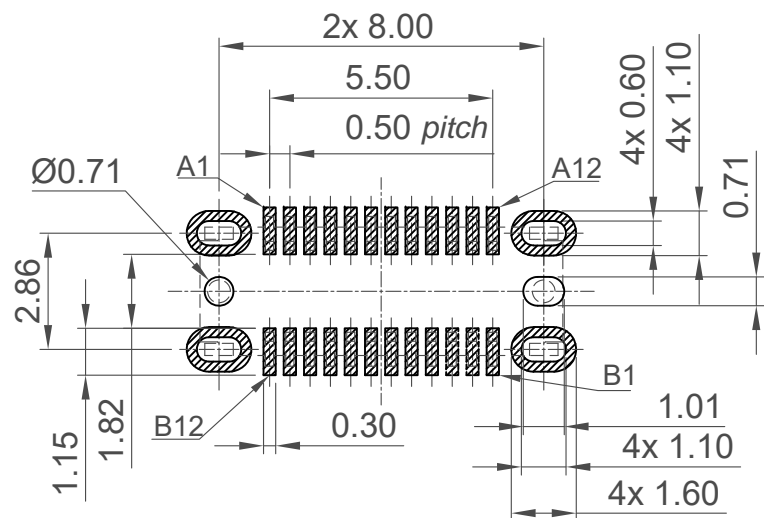


Contact Plating
 03 = 3u" Gold




Packing Options
 C = Tape & Reel with Cap

Shell Stake Length "S"
 0070 = 0.70mm
 0170 = 1.70mm
 0230 = 2.30mm


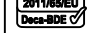
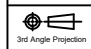

Part Number		Product Description		 www.gct.co
USB4160		USB3.2 Gen2, Type C Receptacle, Vertical, SMT, H=7.46mm, 24 Pin		
Drawing Date		28th June 2022		
By	CC	Tolerances (Except as Noted)	Units:	 This drawing is confidential and copyright of Global Connector Technology, Ltd (GCT). This drawing must not be copied or disclosed without written consent. E & OE
Detail	Drawing Release	X.X ± 0.30	Metric (mm)	
Revision	A2	X.XX ± 0.20	 3rd Angle Projection	
Date	31/01/23	X.XXX ± 0.10		
Not to Scale	Drawn By	CC	Sheet No.	1/4

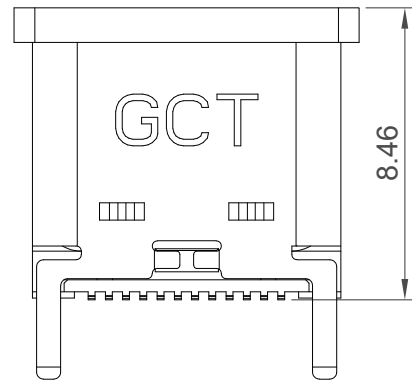
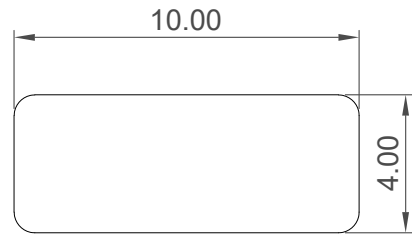


Recommended PCB Layout
Tolerance: $\pm 0.05\text{mm}$

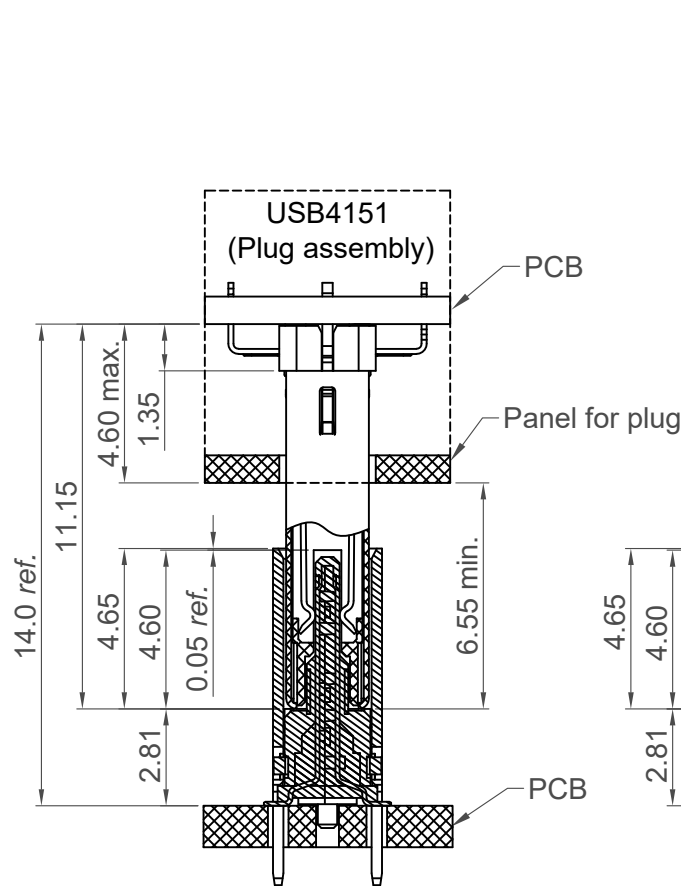
 Solder Area
  Keep Out Area
  Component Outline

Pin	Signal	Mating Sequence	Pin	Signal	Mating Sequence
A1	GND	First	B12	GND	First
A2	SSTXp1	Second	B11	SSRXp1	Second
A3	SSTXn1	Second	B10	SSRXn1	Second
A4	Vbus	First	B9	Vbus	First
A5	CC1	Second	B8	SBU2	Second
A6	Dp1	Second	B7	Dn2	Second
A7	Dn1	Second	B6	Dp2	Second
A8	SBU1	Second	B5	CC2	Second
A9	Vbus	First	B4	Vbus	First
A10	SSRXn2	Second	B3	SSTXn2	Second
A11	SSRXp2	Second	B2	SSTXp2	Second
A12	GND	First	B1	GND	First
SHELL		GND	SHELL		GND

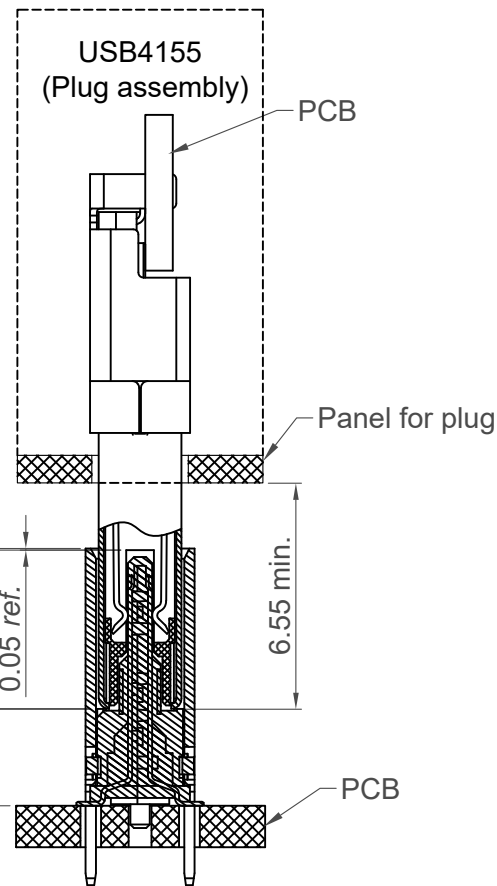
Part Number		Product Description			
USB4160		USB3.2 Gen2, Type C Receptacle, Vertical, SMT, H=7.46mm, 24 Pin			
Drawing Date		28th June 2022			
By	CC	Tolerances (Except as Noted)		Units:	 
Detail	Drawing Release	Length	Angle	Metric (mm)	
Revision	A2	X.X \pm 0.30	-		
Date	31/01/23	X.XX \pm 0.20	X.XXX \pm 0.10		
					
This drawing is confidential and copyright of Global Connector Technology, Ltd (GCT). This drawing must not be copied or disclosed without written consent. E & OE					
				 www.gct.co	
Not to Scale		Drawn By CC		Sheet No. 2/4	



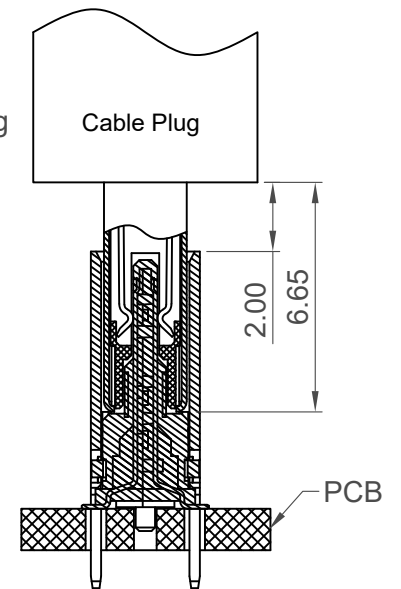
Cap Information



USB4160
(Receptacle assembly)



USB4160
(Receptacle assembly)

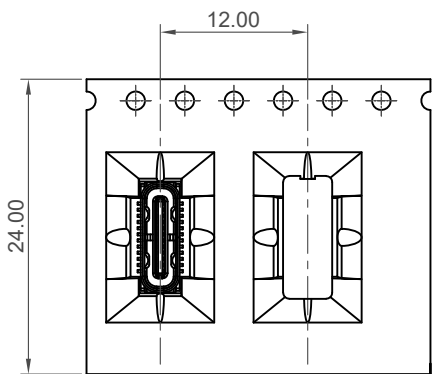
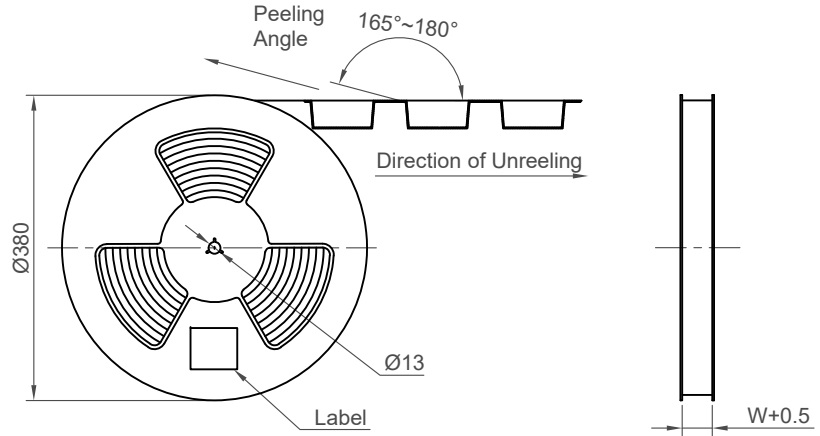
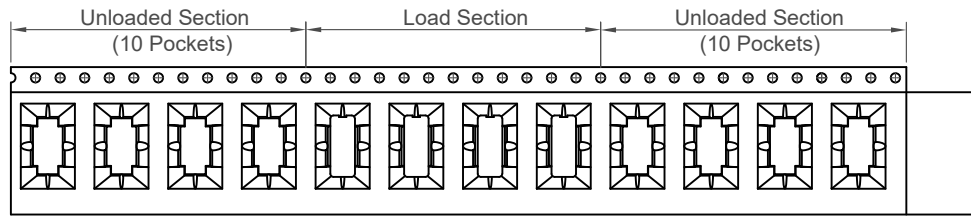


USB4160
(Receptacle assembly)

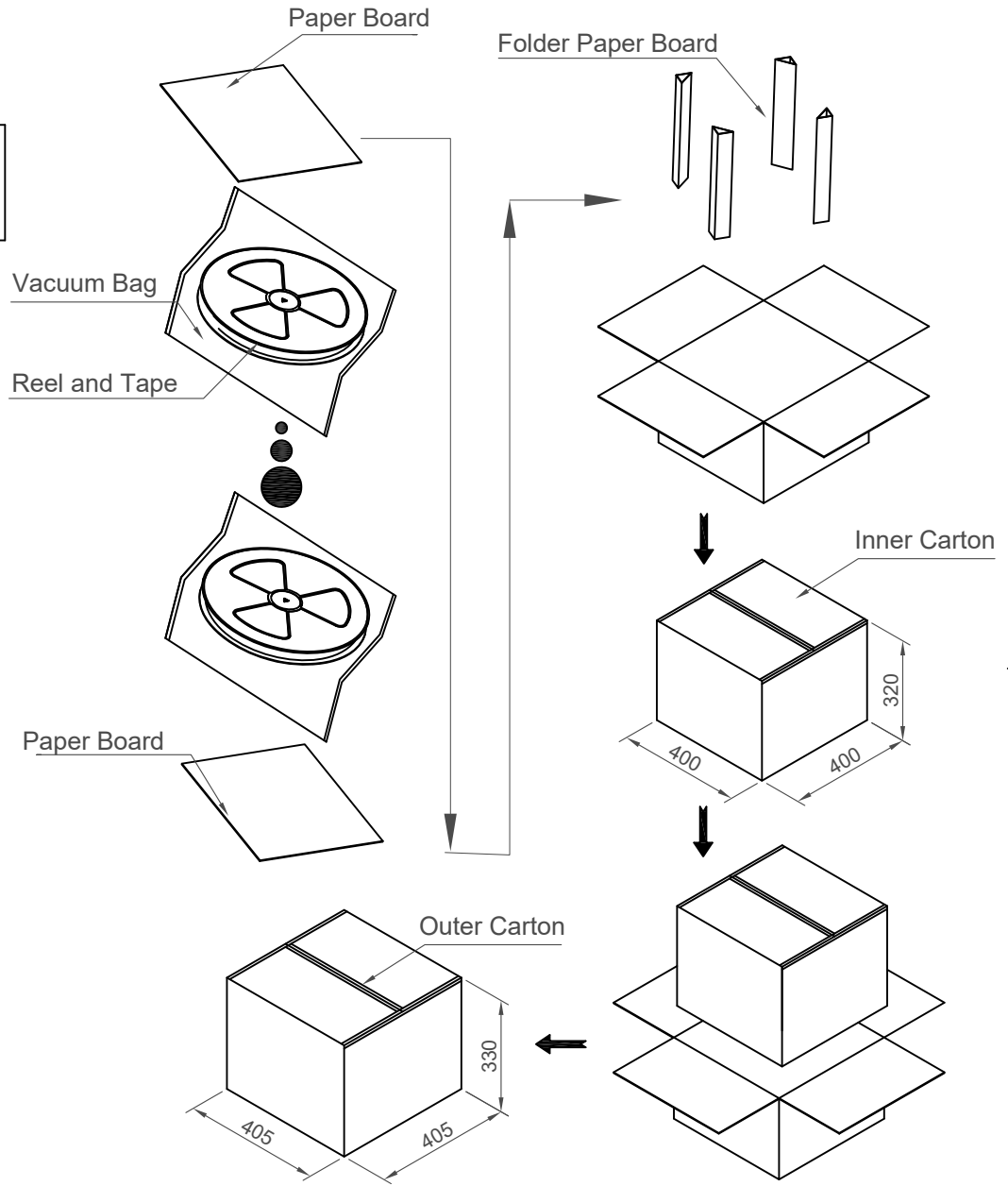
Plug and Receptacle Mating View

Part Number		Product Description		GCT www.gct.co
USB4160		USB3.2 Gen2, Type C Receptacle, Vertical, SMT, H=7.46mm, 24 Pin		
Drawing Date		28th June 2022		
By	CC	Tolerances (Except as Noted)	Units:	 This drawing is confidential and copyright of Global Connector Technology, Ltd (GCT). This drawing must not be copied or disclosed without written consent. E & OE
Detail	Drawing Release	Length X.X ± 0.30	Angle Metric (mm)	
Revision	A2	X.XX ± 0.20	-	
Date	31/01/23	X.XXX ± 0.10	3rd Angle Projection	
Not to Scale		Drawn By	CC	Sheet No. 3/4

H
G
F
E
D
C
B
A



Direction of Unreeling



Part Number	Pcs / Reel	Reels / Carton	Total Quantity
USB4160-03-0070-C	700	10	7,000 pcs
USB4160-03-0170-C	600	10	6,000 pcs
USB4160-03-0230-C	600	10	6,000 pcs

Part Number		Product Description	
USB4160		USB3.2 Gen2, Type C Receptacle, Vertical, SMT, H=7.46mm, 24 Pin	
Drawing Date		28th June 2022	
By	CC	Tolerances (Except as Noted)	Units:
Detail	Drawing Release	Length X.X ± 0.30	Metric (mm)
Revision	A2	Angle X.XX ± 0.20	
Date	31/01/23	X.XXX ± 0.10	



This drawing is confidential and copyright of Global Connector Technology, Ltd (GCT). This drawing must not be copied or disclosed without written consent. E & OE



Not to Scale
Drawn By CC
Sheet No. 4/4

1 2 3 4 5 6 7 8