

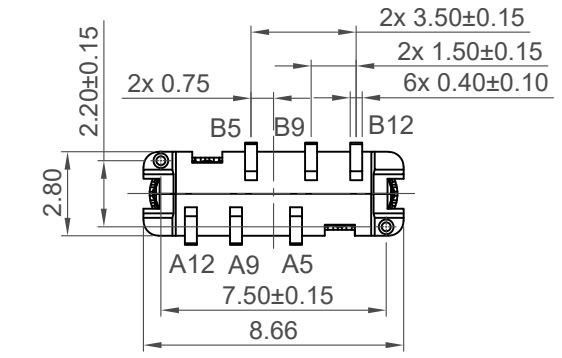
**Specifications**

**Material**  
 Insulator: LCP, UL 94V-0, Black  
 Contact: Copper Alloy  
 Shell: Stainless Steel

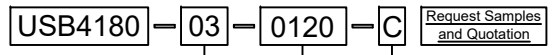
**Plating**  
 Contact  
 Contact Area: 3µ" Au over 50µ" min. Nickel  
 Solder Tails: 80µ" min. Sn over 50µ" min. Nickel  
 Shell: 30µ" min. Nickel

**Electrical**  
 Current Rating: 3.00A collectively for Vbus pins  
 4.25A collectively for GND pins  
 1.25A for A5/B5 pin  
 Voltage Rating: 20V DC  
 Contact Resistance: 40mΩ max initial.  
 50mΩ max after test  
 Dielectric Withstanding Voltage: 100V AC  
 Insulation Resistance 100MΩ min

**Mechanical & Environmental**  
 Operating Temperature: -25°C to +85°C  
 Mating Force: 5N max.  
 Unmated Force: 3N max.  
 Durability: 10,000 cycles



**Ordering Grid**



**Contact Plating**  
 03 = 3µ" Gold

**Packing Options**  
 C = Tape & Reel with Cap  
 (400 per reel)

**Shell Stake Length "S"**  
 0120 = 1.20mm

Part Number		Product Description	
USB4180		Type C Plug, Vertical, SMT, For Power Charging Only	
Drawing Date		6 Pin, Without Latches	
24th March 2023			
By	CC	Tolerances (Except as Noted)	Units:
Detail	Drawing Release	Length	Metric (mm)
Revision	A	X.X ± 0.30	
Date	24/03/23	X.XX ± 0.25	
		X.XXX ± 0.10	

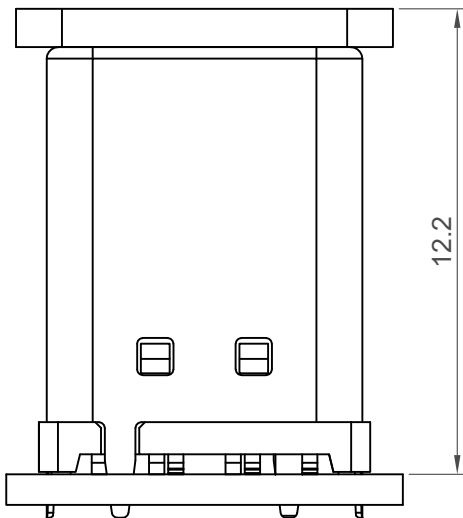
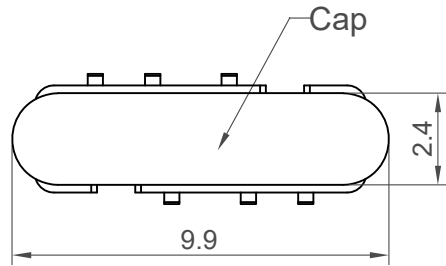


This drawing is confidential and copyright of Global Connector Technology, Ltd (GCT). This drawing must not be copied or disclosed without written consent. E & OE

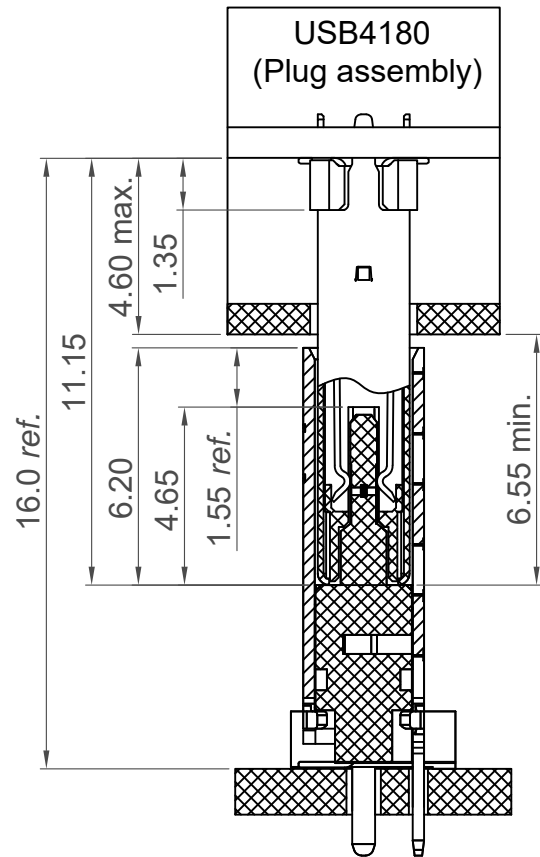


Not to Scale	Drawn By CC	Sheet No. 1/3
--------------	-------------	---------------

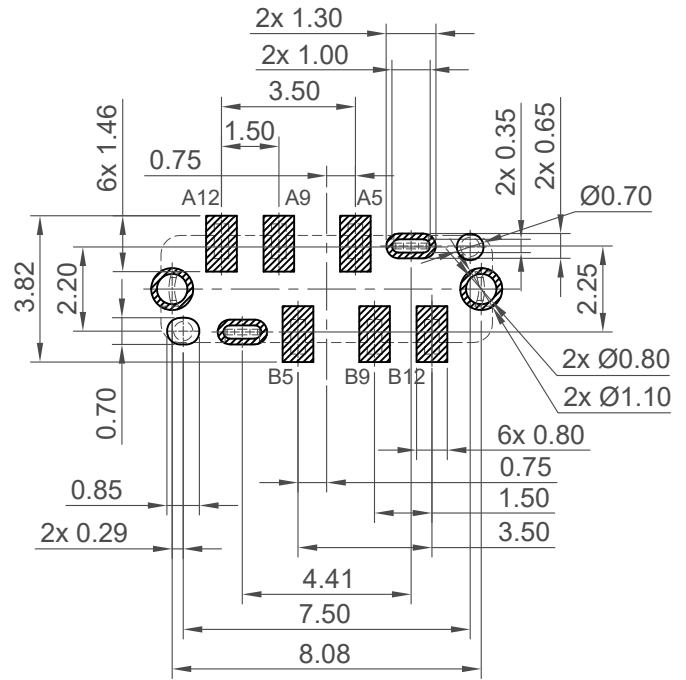
H  
G  
F  
E  
D  
C  
B  
A



PCB Mount&Cap Information



USB4175  
(Receptacle assembly)



**Recommended PCB Layout**  
Thickness 0.8±0.10mm  
Tolerance: ±0.05mm

Solder Area Component Outline

Pin	Signal	Mating Sequence
A5	CC1	Second
A9	V <sub>BUS</sub>	First
A12	GND	First
B5	CC2	Second
B9	V <sub>BUS</sub>	First
B12	GND	First
SHELL	GND	

Part Number		Product Description	
USB4180		Type C Plug, Vertical, SMT, For Power Charging Only	
Drawing Date		6 Pin, Without Latches	
24th March 2023			
By	CC	Tolerances (Except as Noted)	Units:
Detail	Drawing Release	Length	Metric (mm)
Revision	A	X.X ± 0.30	
Date	24/03/23	X.XX ± 0.25	
		X.XXX ± 0.10	

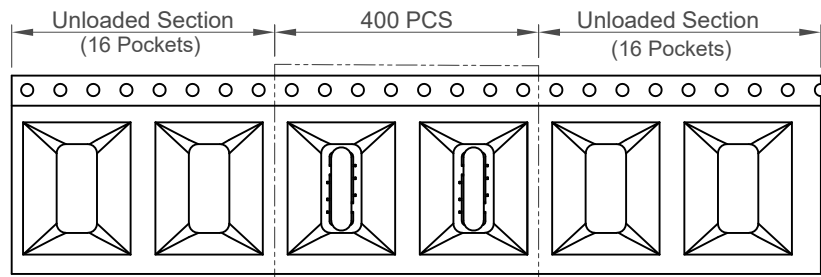


This drawing is confidential and copyright of Global Connector Technology, Ltd (GCT). This drawing must not be copied or disclosed without written consent. E & OE

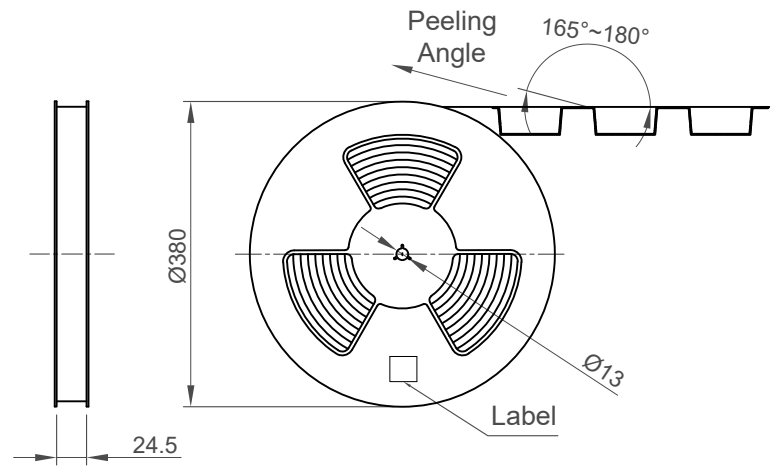


Not to Scale	Drawn By CC	Sheet No. 2/3
--------------	-------------	---------------

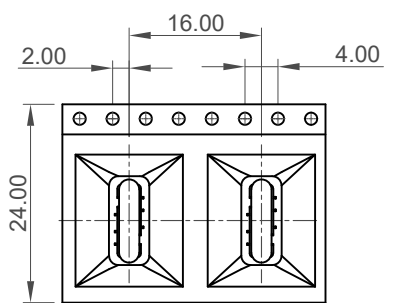
1 2 3 4 5 6 7 8



Direction of Unreeling

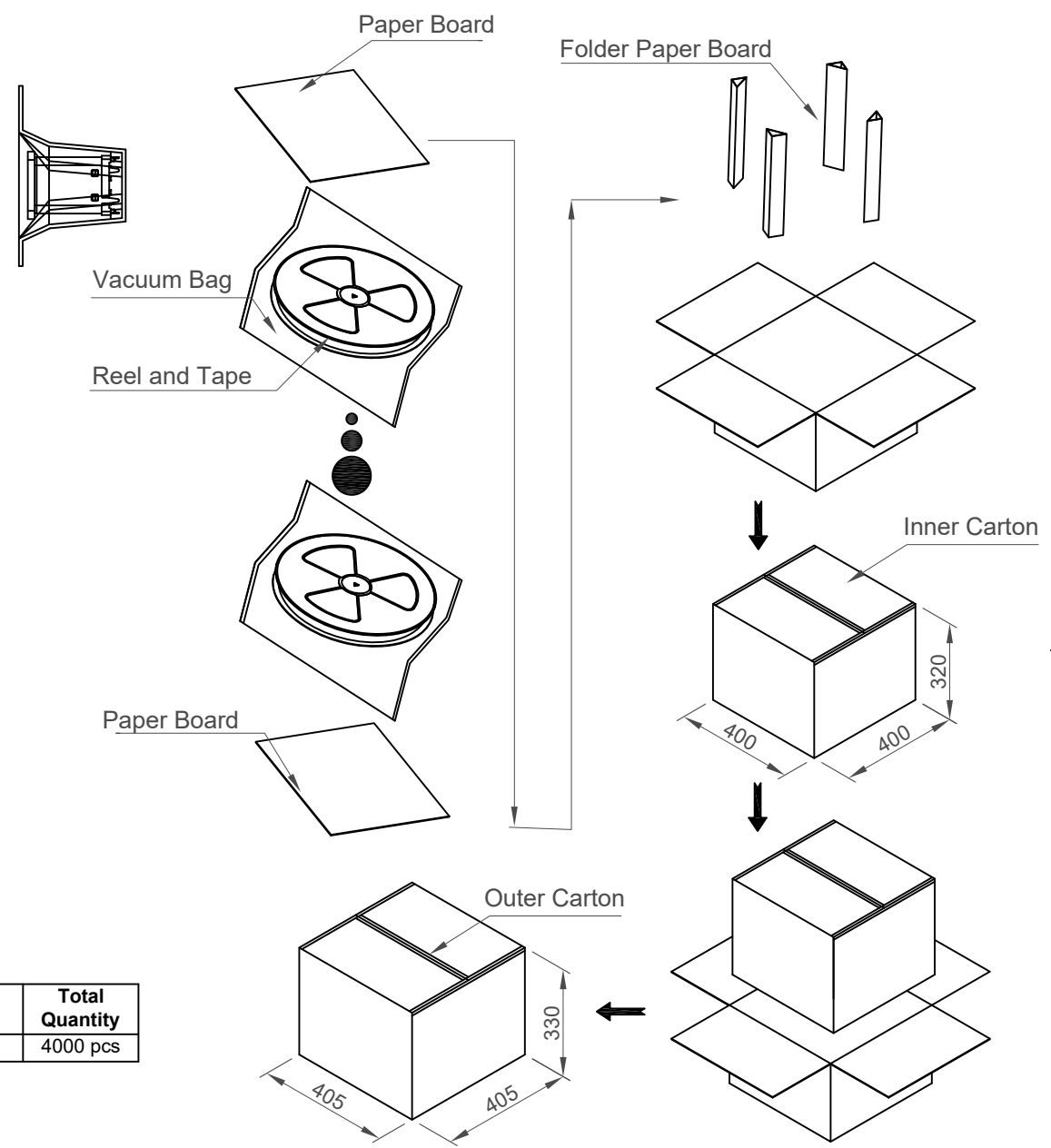


Direction of Unreeling



Detail: E

Pcs / Reel	Reels / Carton	Total Quantity
400	10	4000 pcs



Part Number		Product Description	
USB4180		Type C Plug, Vertical, SMT, For Power Charging Only	
Drawing Date		6 Pin, Without Latches	
24th March 2023			
By	CC	Tolerances (Except as Noted)	Units:
Detail	Drawing Release	Length	Metric (mm)
Revision	A	X.X ± 0.30	
Date	24/03/23	X.XX ± 0.25	
		X.XXX ± 0.10	

This drawing is confidential and copyright of Global Connector Technology, Ltd (GCT). This drawing must not be copied or disclosed without written consent. E & OE



Not to Scale	Drawn By CC	Sheet No. 3/3
--------------	-------------	---------------