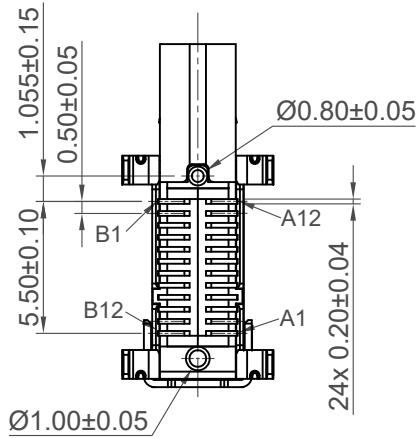


Plug and Receptacle Mating View



Specifications

**Material**  
 Insulator: LCP, UL 94V-0, Black  
 Contact: Copper Alloy, T=0.12mm  
 Mid Plate: Stainless Steel, T=0.15mm  
 EMI Plate: Stainless Steel, T=0.10mm  
 Shell: Stainless Steel, T=0.30mm

**Plating**  
**Contact**  
 Contact Area: 3µ" Gold over 50µ" min. Nickel  
 Solder Tails: Gold Flash over 50µ" min. Nickel  
**Shell&EMI Plate:** 50µ" min. Nickel  
**Mid Plate:** Clear

**Electrical**  
**Current Rating:** 5.00A collectively for Vbus pins  
 6.25A collectively for GND pins  
 1.25A for A5/B5 pin  
 0.25A per pin for all other pins  
**Voltage Rating:** 48V DC  
**Power Rating:** 240W  
**Contact Resistance:** 40mΩ max initial.  
 50mΩ max after test  
**Dielectric Withstanding Voltage:** 100V AC  
**Insulation Resistance:** 100MΩ min

**Mechanical & Environmental**  
**Operating Temperature:** -40°C to +85°C  
**Mating Force:** 5 to 20 N  
**Unmated Force:** 6 to 20 N after test  
**Durability:** 20,000 cycles

Ordering Grid  
**USB4200** - **03** - **A** Request Samples and Quotation

**Contact Plating**  
 03 = 3µ" Gold

**Packing Options**  
 A = Tape & Reel  
 (450pcs/Reel)

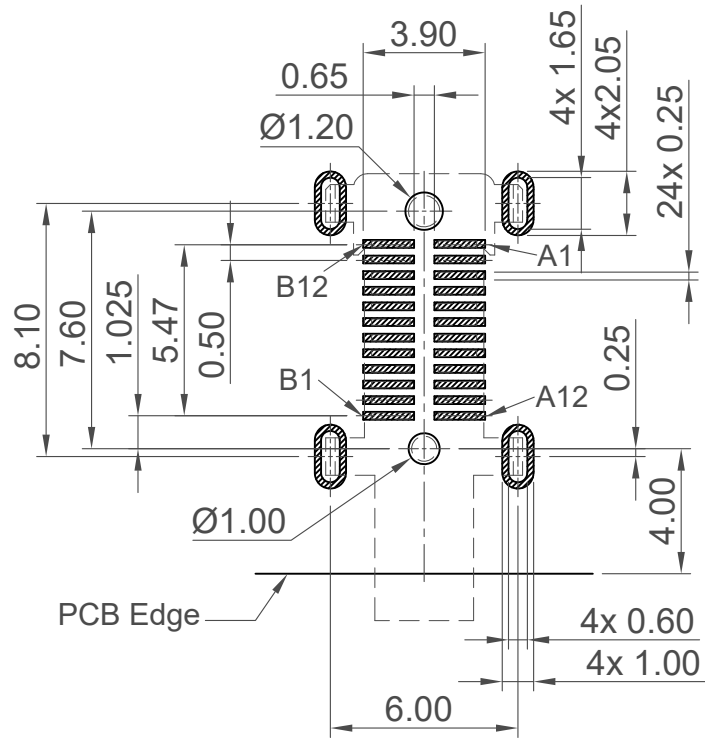
|              |                 |  |             |
|--------------|-----------------|--|-------------|
| Part Number  |                 | Product Description  |             |
| USB4200      |                 | USB3.2 Gen2, Type C Receptacle, Dual Row SMT, Flag Type, PCB Top Mount, 24 Pin |             |
| Drawing Date |                 | 2nd March 2023   |             |
| By           | CC              | Tolerances (Except as Noted)   | Units:      |
| Detail       | Drawing Release | Length   | Metric (mm) |
| Revision     | A               | Angle  |             |
| Date         | 06/03/23        | X.X ± 0.30   |             |
|              |                 | X.XX ± 0.20  |             |
|              |                 | X.XXX ± 0.10   |             |



This drawing is confidential and copyright of Global Connector Technology, Ltd (GCT). This drawing must not be copied or disclosed without written consent. E & OE



|              |             |               |
|--------------|-------------|---------------|
| Not to Scale | Drawn By CC | Sheet No. 1/3 |
|--------------|-------------|---------------|



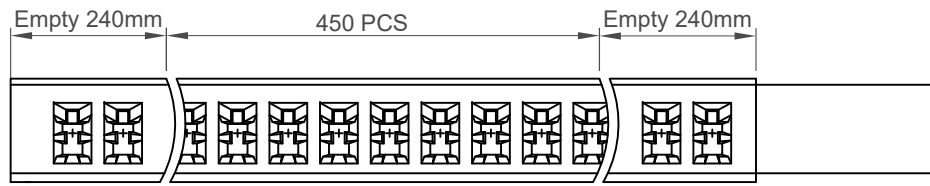
**Recommended PCB Layout**  
Tolerance:  $\pm 0.05\text{mm}$

▨ Solder Area    - - - Component Outline

| Pin   | Signal | Mating Sequence | Pin   | Signal | Mating Sequence |
|-------|--------|-----------------|-------|--------|-----------------|
| A1    | GND    | First           | B12   | GND    | First           |
| A2    | SSTXp1 | Second          | B11   | SSRXp1 | Second          |
| A3    | SSTXn1 | Second          | B10   | SSRXn1 | Second          |
| A4    | Vbus   | First           | B9    | Vbus   | First           |
| A5    | CC1    | Second          | B8    | SBU2   | Second          |
| A6    | Dp1    | Second          | B7    | Dn2    | Second          |
| A7    | Dn1    | Second          | B6    | Dp2    | Second          |
| A8    | SBU1   | Second          | B5    | CC2    | Second          |
| A9    | Vbus   | First           | B4    | Vbus   | First           |
| A10   | SSRXn2 | Second          | B3    | SSTXn2 | Second          |
| A11   | SSRXp2 | Second          | B2    | SSTXp2 | Second          |
| A12   | GND    | First           | B1    | GND    | First           |
| SHELL |        | GND             | SHELL |        | GND             |

|   |                 |  |       |               |  |
|---|-----------------|--|-------|---------------|--|
| Part Number   |                 | Product Description  |       |               |  |
| USB4200   |                 | USB3.2 Gen2, Type C Receptacle, Dual Row SMT, Flag Type, PCB Top Mount, 24 Pin |       |               |  |
| Drawing Date  |                 | 2nd March 2023   |       |               |  |
| By  | CC              | Tolerances (Except as Noted)   |       | Units:        |  |
| Detail  | Drawing Release | Length   | Angle | Metric (mm)   |  |
| Revision  | A               | X.X $\pm$ 0.30   | -     |               |  |
| Date  | 06/03/23        | X.XX $\pm$ 0.20  |       |               |  |
|   |                 | X.XXX $\pm$ 0.10   |       |               |  |
| <p>This drawing is confidential and copyright of Global Connector Technology, Ltd (GCT). This drawing must not be copied or disclosed without written consent. E &amp; OE</p> |                 |  |       |               |  |
| Not to Scale  |                 | Drawn By CC  |       | Sheet No. 2/3 |  |

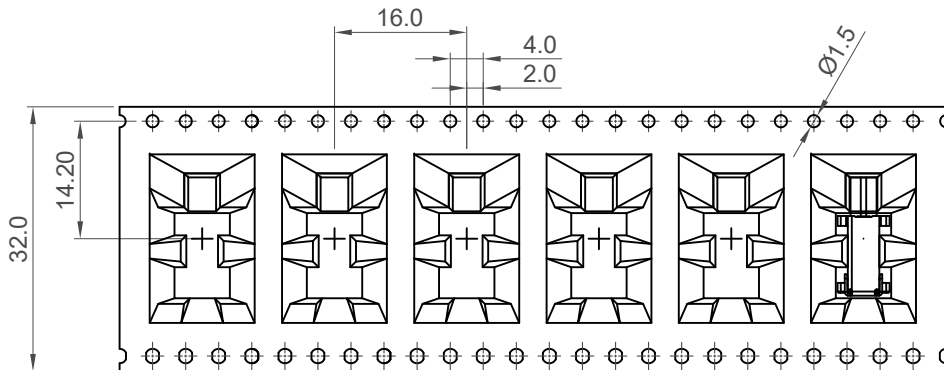
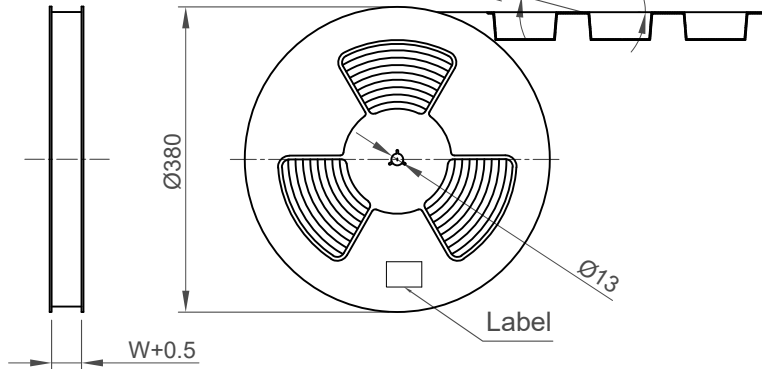




Direction of Unreeling

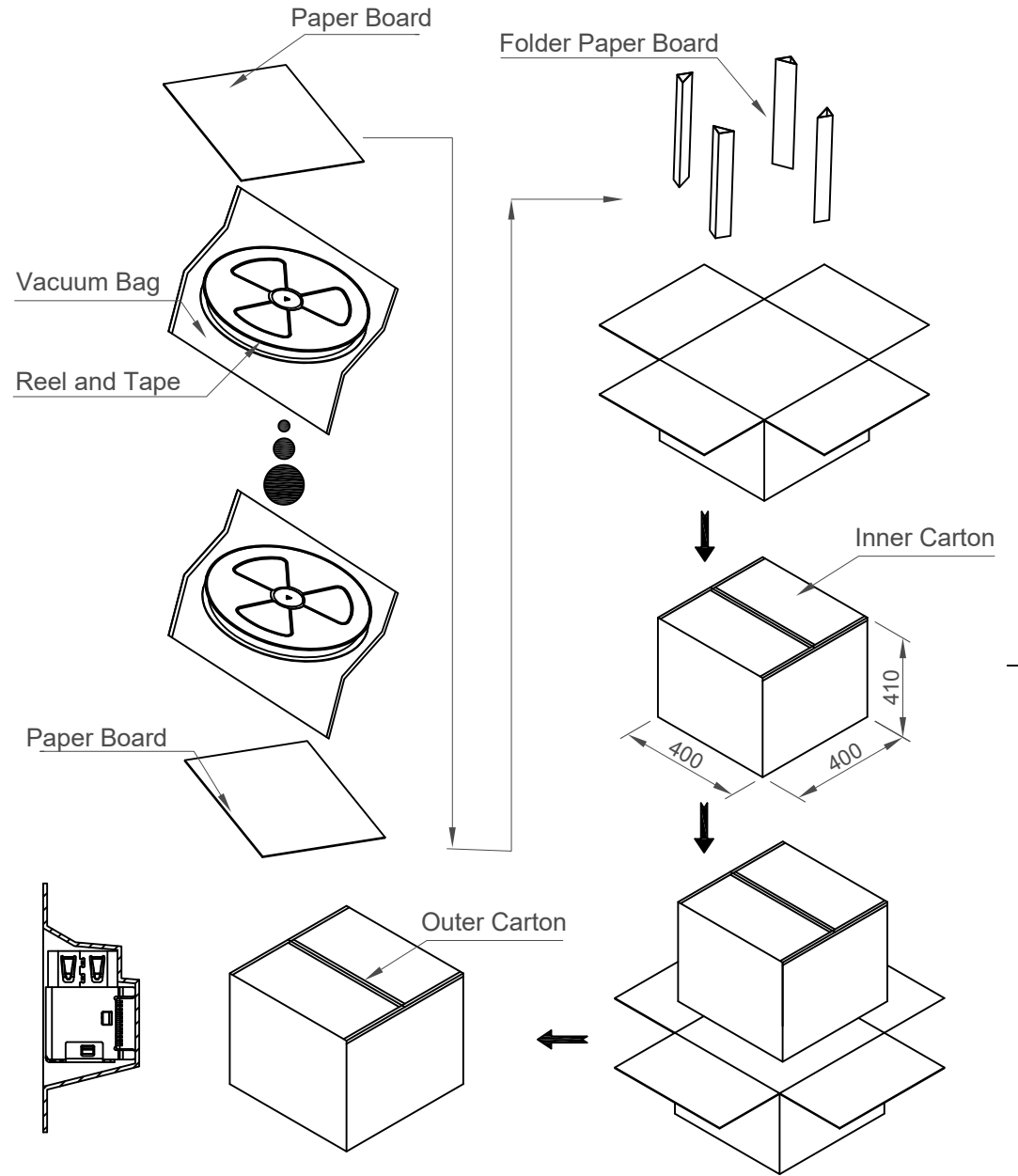
Peeling Angle

165°~180°



Direction of Unreeling

| Pcs / Reel | Reels / Carton | Total Quantity |
|------------|----------------|----------------|
| 450        | 8              | 3600 pcs       |



|              |                 |  |             |
|--------------|-----------------|--|-------------|
| Part Number  |                 | Product Description  |             |
| USB4200      |                 | USB3.2 Gen2, Type C Receptacle, Dual Row SMT, Flag Type, PCB Top Mount, 24 Pin |             |
| Drawing Date |                 | 2nd March 2023   |             |
| By           | CC              | Tolerances (Except as Noted)   | Units:      |
| Detail       | Drawing Release | Length   | Metric (mm) |
| Revision     | A               | Angle  |             |
| Date         | 06/03/23        |  |             |



This drawing is confidential and copyright of Global Connector Technology, Ltd (GCT). This drawing must not be copied or disclosed without written consent. E & OE



|              |             |               |
|--------------|-------------|---------------|
| Not to Scale | Drawn By CC | Sheet No. 3/3 |
|--------------|-------------|---------------|