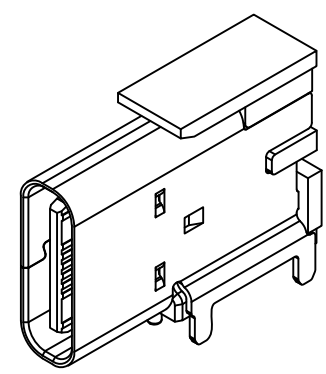
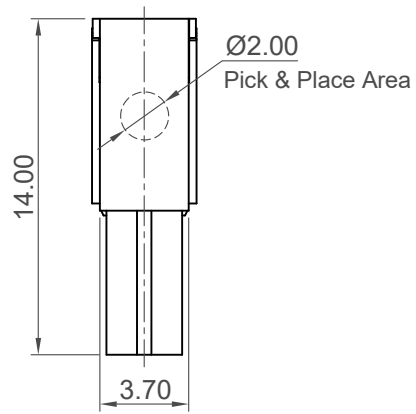


H  
G  
F  
E  
D  
C  
B  
A



**Specifications**

**Material**

Insulator: LCP, UL 94V-0, Black  
 Contact: Copper Alloy  
 Shell: Stainless Steel  
 Mid Plate: Stainless Steel

**Plating**

Contact  
 Contact Area: Gold Flash  
 Solder Tails: Gold Flash  
 Underplating: 50µ" min. Nickel  
 Shell: 80µ" min. Nickel  
 Mid Plate: Clear

**Electrical**

Current Rating: 5.00A collectively for Vbus pins  
 6.25A collectively for GND pins  
 1.25A for A5/B5 pin  
 0.25A per pin for all other pins

Voltage Rating: 48V DC  
 Power Rating: 240W  
 Contact Resistance: 40mΩ max initial.  
 50mΩ max after test  
 Dielectric Withstanding Voltage: 100V AC  
 Insulation Resistance 100MΩ min

**Mechanical & Environmental**

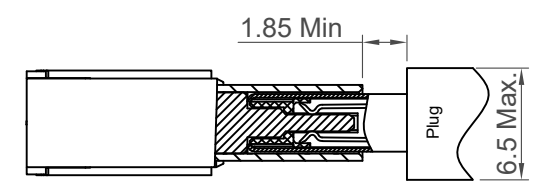
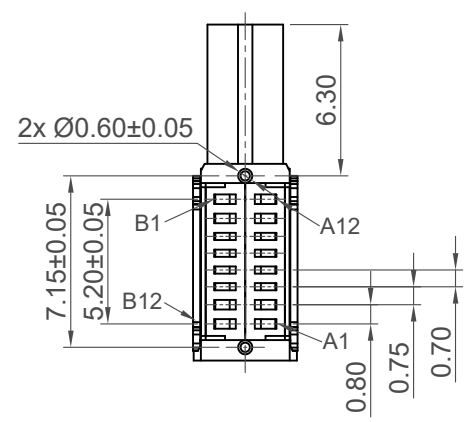
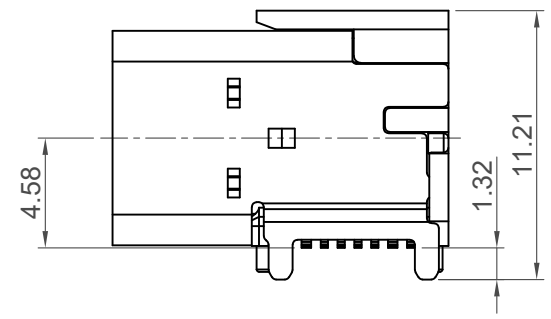
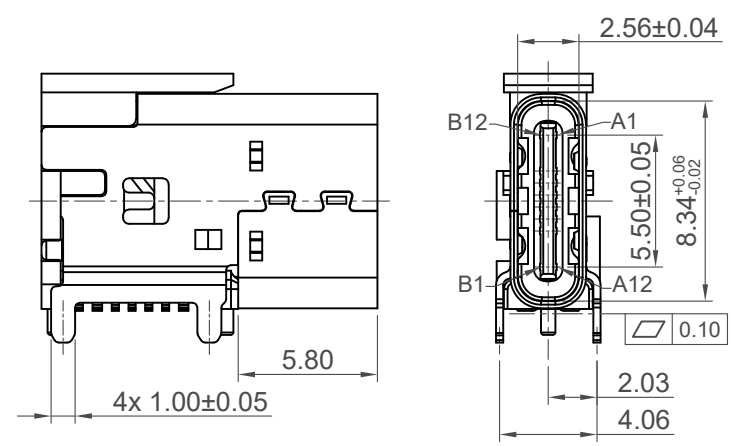
Operating Temperature: -55°C to +85°C  
 Mating Force: 5 to 20 N.  
 Unmated Force: 6 to 20 N after test  
 Durability: 20,000 cycles

**Ordering Grid**

USB4210
=
GF
=
A
Request Samples and Quotation

Contact Plating
Packing Options

GF = Gold Flash
A = Tape & Reel
(500pcs/Reel)



Plug and Receptacle Mating View

Part Number		Product Description	
USB4210		Type C Receptacle For USB2.0, Dual Row SMT, Flag Type, PCB Top Mount, 16 Pin	
Drawing Date		6th March 2024	
By	CC	Tolerances (Except as Noted)	Units:
Detail	Drawing Release	Length X.X ± 0.30	Metric (mm)
Revision	A	Angle X.XX ± 0.15	
Date	06/03/24	X.XXX ± 0.10	



This drawing is confidential and copyright of Global Connector Technology, Ltd (GCT). This drawing must not be copied or disclosed without written consent. E & OE

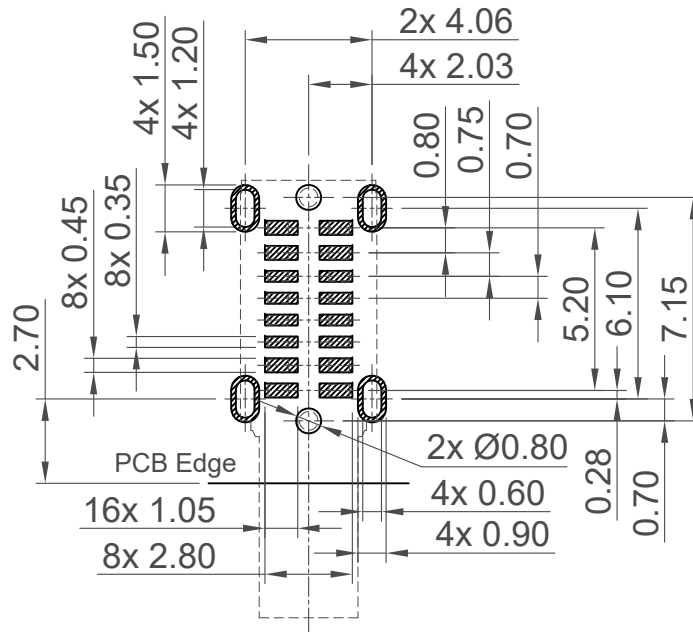


Not to Scale	Drawn By CC	Sheet No. 1/3
--------------	-------------	---------------

1 2 3 4 5 6 7 8

B12	A1
B9	A4
B8	A5
B7	A6
B6	A7
B5	A8
B4	A9
B1	A12

Pin Assignment



**Recommended PCB Layout**

Thickness: 1.20mm

Tolerance:  $\pm 0.05\text{mm}$

▨ Solder Area    - - - Component Outline

Pin	Signal	Mating Sequence	Pin	Signal	Mating Sequence
A1	GND	First	B12	GND	First
A4	Vbus	First	B9	Vbus	First
A5	CC1	Second	B8	SBU2	Second
A6	Dp1	Second	B7	Dn2	Second
A7	Dn1	Second	B6	Dp2	Second
A8	SBU1	Second	B5	CC2	Second
A9	Vbus	First	B4	Vbus	First
A12	GND	First	B1	GND	First
SHELL		GND	SHELL		GND

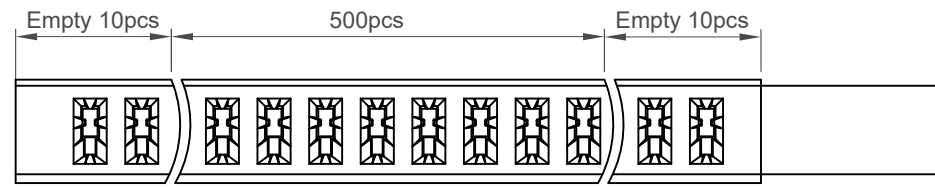
Part Number		Product Description	
USB4210		Type C Receptacle For USB2.0, Dual Row SMT, Flag Type, PCB Top Mount, 16 Pin	
Drawing Date		6th March 2024	
By	CC	Tolerances (Except as Noted)	Units:
Detail	Drawing Release	Length	Metric (mm)
Revision	A	X.X $\pm 0.30$	 3rd Angle Projection
Date	06/03/24	X.XX $\pm 0.15$	
		X.XXX $\pm 0.10$	



This drawing is confidential and copyright of Global Connector Technology, Ltd (GCT). This drawing must not be copied or disclosed without written consent. E & OE

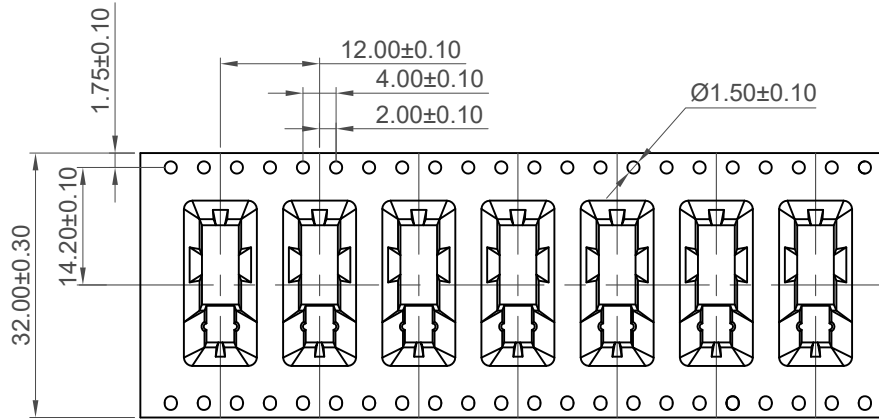
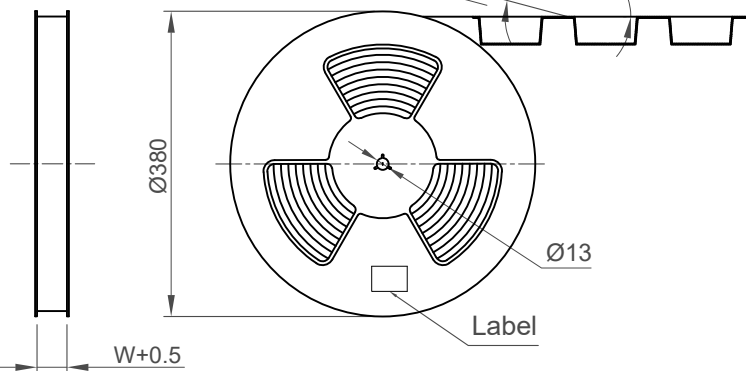


Not to Scale	Drawn By CC	Sheet No. 2/3
--------------	-------------	---------------



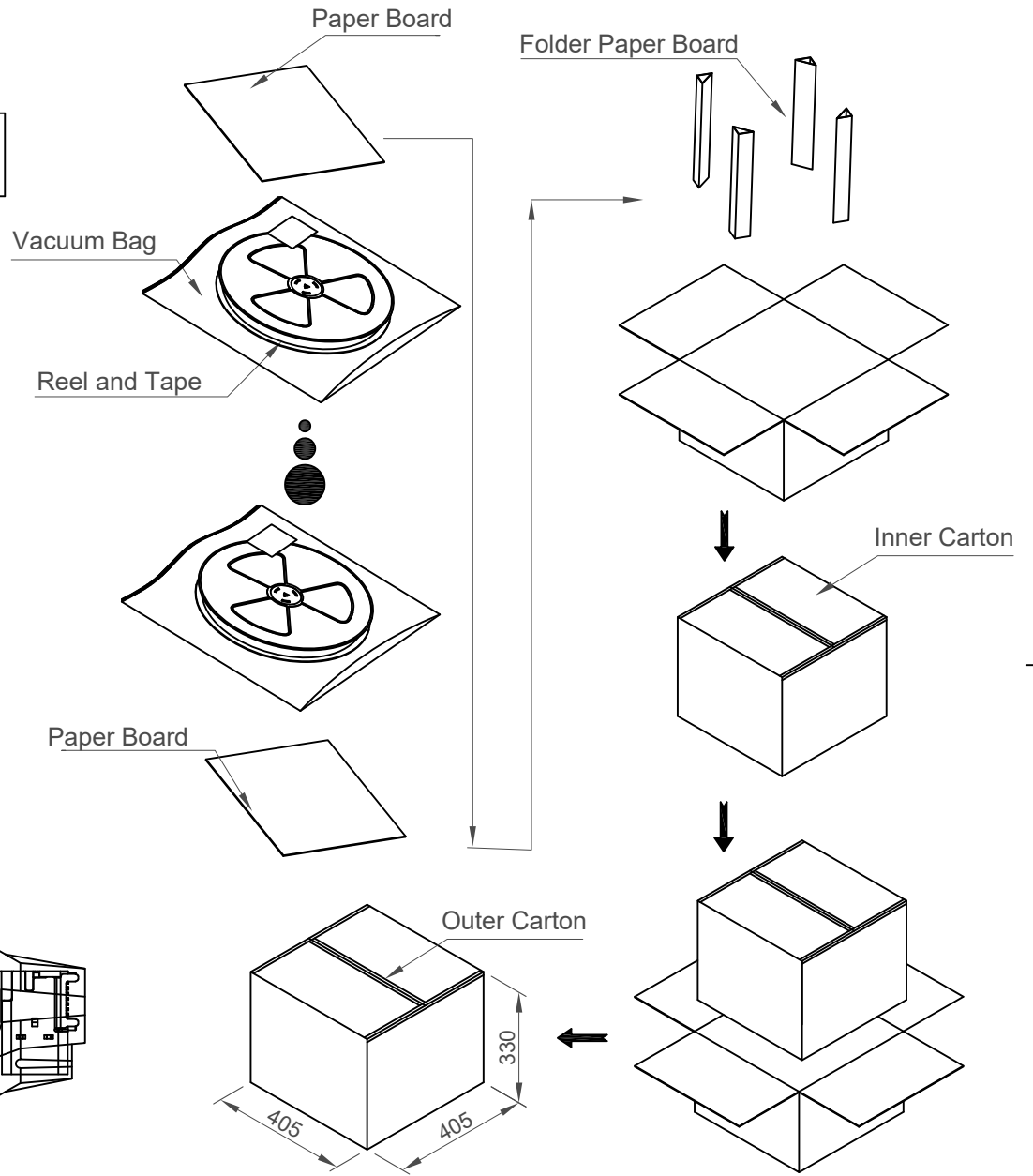
Direction of Unreeling

Peeling Angle 165°~180°



Direction of Unreeling

Pcs / Reel	Reels / Carton	Total Quantity
500	8	4000 pcs



Part Number		Product Description	
USB4210		Type C Receptacle For USB2.0, Dual Row SMT, Flag Type, PCB Top Mount, 16 Pin	
Drawing Date		6th March 2024	
By	CC	Tolerances (Except as Noted)	Units:
Detail	Drawing Release	Length X.X ± 0.30	Metric (mm)
Revision	A	Angle X.XX ± 0.15	
Date	06/03/24	X.XXX ± 0.10	



This drawing is confidential and copyright of Global Connector Technology, Ltd (GCT). This drawing must not be copied or disclosed without written consent. E & OE



Not to Scale	Drawn By CC	Sheet No. 3/3
--------------	-------------	---------------