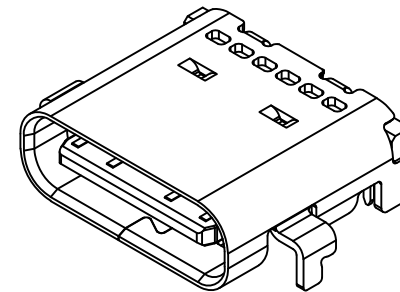
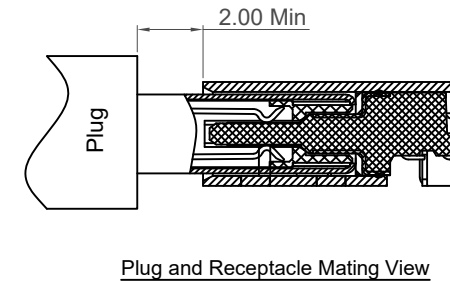
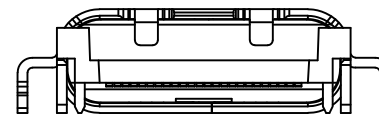
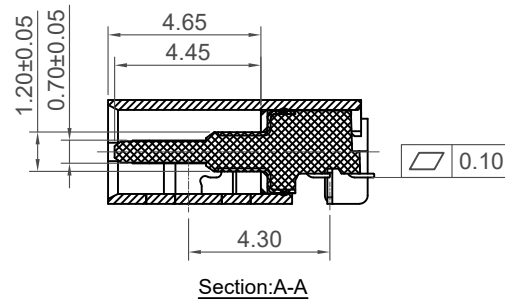
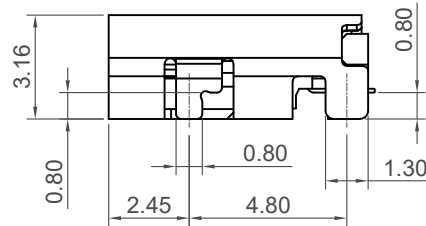


Pin	Signal	Mating Sequence	Pin	Signal	Mating Sequence
A1	GND	First	B12	GND	First
A2	SSTXp1	Second	B11	SSRXp1	Second
A3	SSTXn1	Second	B10	SSRXn1	Second
A4	Vbus	First	B9	Vbus	First
A5	CC1	Second	B8	SBU2	Second
A6	Dp1	Second	B7	Dn2	Second
A7	Dn1	Second	B6	Dp2	Second
A8	SBU1	Second	B5	CC2	Second
A9	Vbus	First	B4	Vbus	First
A10	SSRXn2	Second	B3	SSTXn2	Second
A11	SSRXp2	Second	B2	SSTXp2	Second
A12	GND	First	B1	GND	First
SHELL	GND		SHELL	GND	



Specifications

Material

Insulator: LCP, UL 94V-0, Black
 Contact: Copper Alloy
 Mid Plate: Stainless Steel
 EMI Plate: Stainless Steel
 Shell: Stainless Steel

Plating

Terminal
 Contact Area: See Ordering Grid
 Solder Tails: Gold Flash
 Underplating: 50µ" Min. Nickel Over All
 Shell: 30µ" min. Nickel
 Mid Plate: 50µ" min Sn over 30µ" min. Nickel
 EMI Plate: Clear

Electrical

Current Rating: 5.00A collectively for Vbus pins
 6.25A collectively for GND pins
 1.25A for A5/B5 pin
 0.25A per pin for all other pins
 Voltage Rating: 48V DC
 Power Rating: 240W
 Contact Resistance: 40mΩ max initial.
 50mΩ max after test
 Dielectric Withstanding Voltage: 100V AC
 Insulation Resistance 100MΩ min

Mechanical & Environmental

Operating Temperature: -25°C to +85°C
 Mating Force: 5 to 20 N.
 Unmated Force: 6 to 20 N after test
 Durability: 10,000 cycles

Ordering Grid

USB4525	03	A	Request Samples and Quotation
Contact Plating		Packing Options	
03 = 3µ" Gold		A = Tape & Reel (900pcs/Reel)	

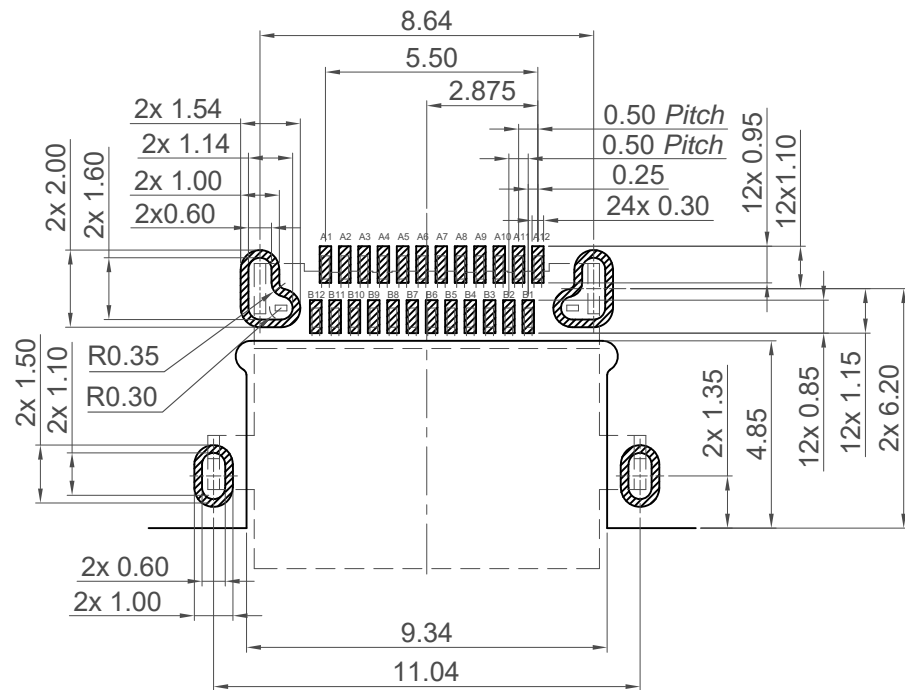
Part Number		Product Description	
USB4525		USB3.2 Gen 2 Type C Receptacle, Dual Row SMT, Horizontal, Mid Mount, 0.8mm Offset, 24 Pin	
Drawing Date		8th July 2022	
By	CC	Tolerances (Except as Noted)	Units:
Detail	Drawing Release	Length	Metric (mm)
Revision	A1	X.X ± 0.30	
Date	30/05/23	X.XX ± 0.25	
		X.XXX ± 0.10	
		Angle	
			3rd Angle Projection



This drawing is confidential and copyright of Global Connector Technology, Ltd (GCT). This drawing must not be copied or disclosed without written consent. E & OE



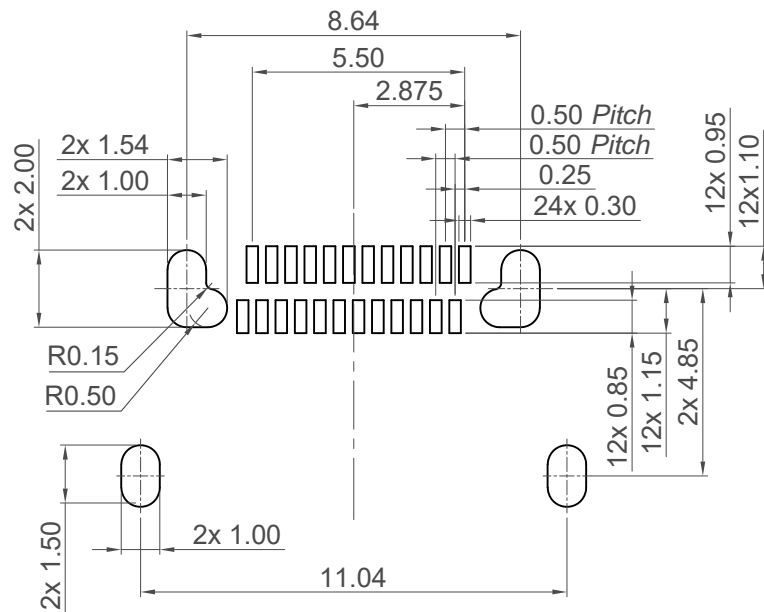
Not to Scale	Drawn By CC	Sheet No. 1/3
--------------	-------------	---------------



Recommended PCB Layout





As viewed from component side Tolerance:±0.05mm

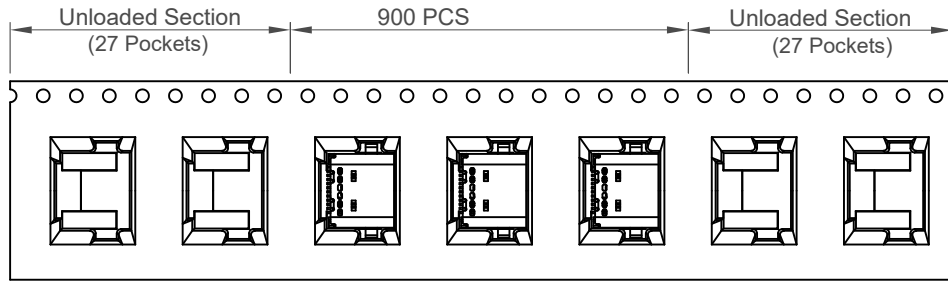
▨ Solder Area □ Component Outline



Recommended Solder mask

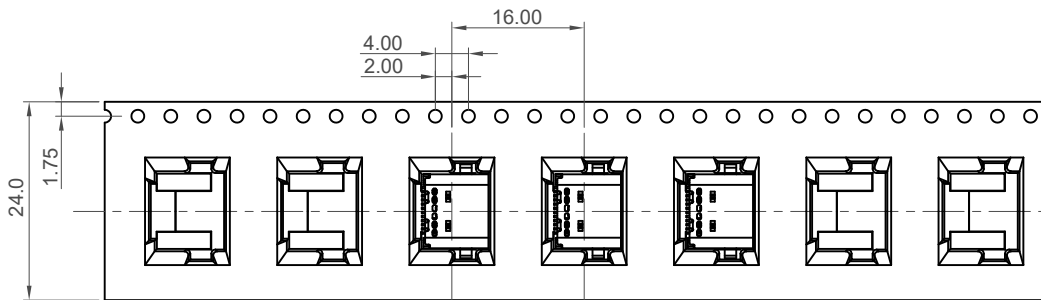
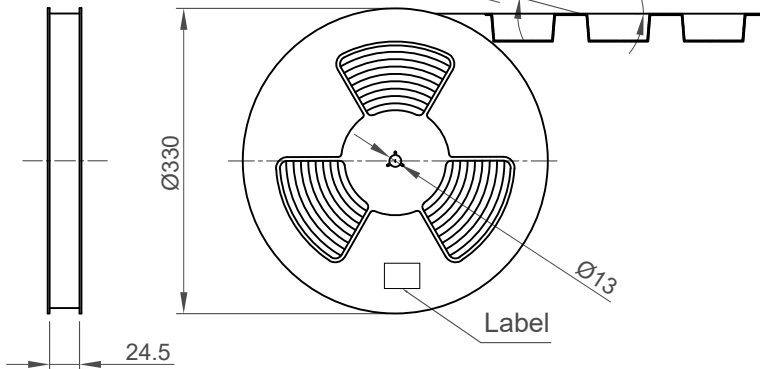
Thickness = 0.12mm
Tolerance:±0.05mm

Part Number		Product Description		 www.gct.co
USB4525		USB3.2 Gen 2 Type C Receptacle, Dual Row SMT, Horizontal, Mid Mount, 0.8mm Offset, 24 Pin		
Drawing Date		8th July 2022		
By	CC	Tolerances (Except as Noted)	Units:	  <p>This drawing is confidential and copyright of Global Connector Technology, Ltd (GCT). This drawing must not be copied or disclosed without written consent. E & OE</p>
Detail	Drawing Release	Length	Metric (mm)	
Revision	A1	X.X ± 0.30	-	
Date	30/05/23	X.XX ± 0.25	X.XXX ± 0.10	
Date		30/05/23		
Not to Scale	Drawn By	CC	Sheet No.	2/3

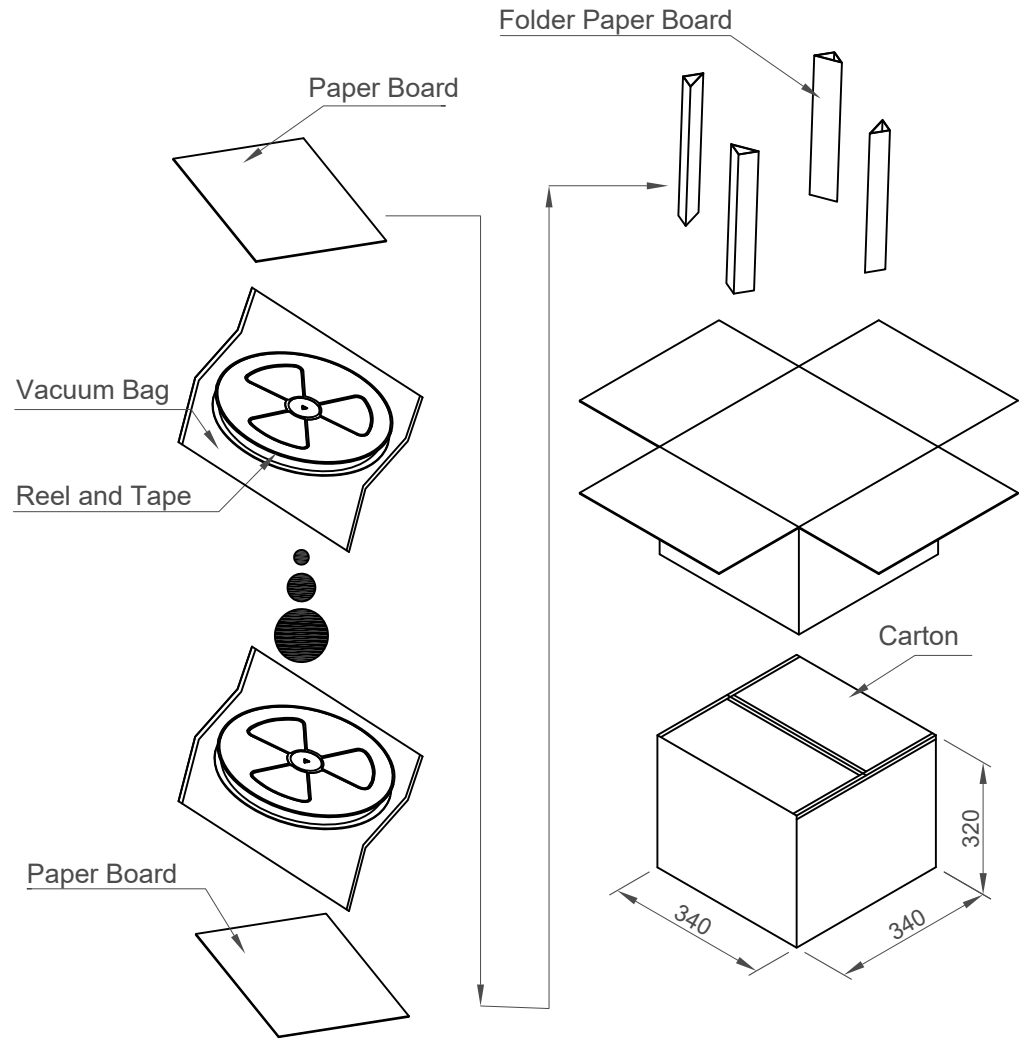


Direction of Unreeling

Peeling Angle 165°~180°



Direction of Unreeling



Pcs / Reel	Reels / Carton	Total Quantity
900	10	9000 pcs

Part Number		Product Description	
USB4525		USB3.2 Gen 2 Type C Receptacle, Dual Row SMT, Horizontal, Mid Mount, 0.8mm Offset, 24 Pin	
Drawing Date		8th July 2022	
By	CC	Tolerances (Except as Noted)	Units:
Detail	Drawing Release	Length	Metric (mm)
Revision	A1	X.X ± 0.30	
Date	30/05/23	X.XX ± 0.25	
		X.XXX ± 0.10	

This drawing is confidential and copyright of Global Connector Technology, Ltd (GCT). This drawing must not be copied or disclosed without written consent. E & OE



Not to Scale
 Drawn By CC
 Sheet No. 3/3