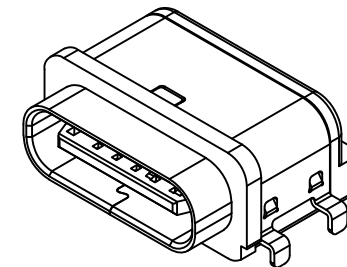


Recommended PCB Layout
Thickness 0.80±0.10mm
Tolerance: ±0.05mm

■ Solder Area □ Component Outline

Pin	Signal	Mating Sequence
A5	CC1	Second
A9	Vbus	First
A12	GND	First
B5	CC2	Second
B9	Vbus	First
B12	GND	First
SHELL	GND	



Specifications

Material

Insulator: LCP, UL 94V-0, Black
Contact: Copper Alloy
Shell: Stainless Steel
Shielding Plate: Stainless Steel
Gasket: Silicone Rubber, Part No.: USBTJ-04, Shore Hardness 60A
(Gasket+Connector can be ordered separately or together as a KIT)

Plating

Contact
Contact Area: Gold Flash
Solder Tails: Tin over Nickel
Shell: Nickel
Shielding Plate: Nickel

Electrical

Current Rating: 3.00A collectively for Vbus pins
4.25A collectively for GND pins
1.25A for A5/B5 pin

Voltage Rating: 20V DC

Contact Resistance: 40mΩ max initial.

50mΩ max after test

Dielectric Withstanding Voltage: 100V AC

Insulation Resistance 100MΩ min

Mechanical & Environmental

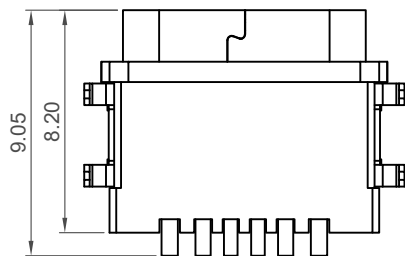
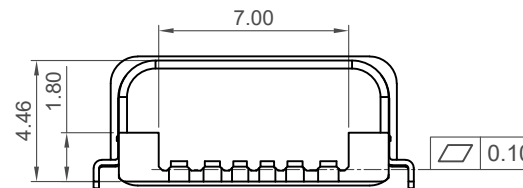
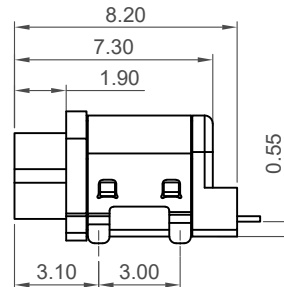
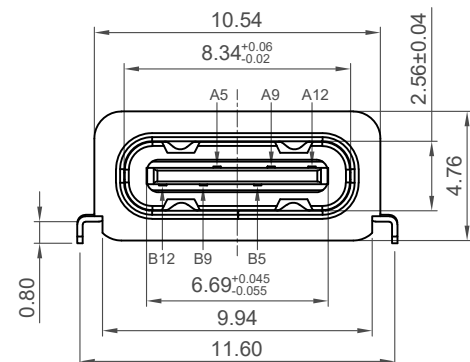
Operating Temperature: -30°C to +85°C

Mating Force: 5 to 20 N.

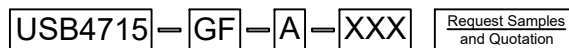
Unmated Force: 6 to 20 N after test

Durability: 10,000 cycles

Ingress Protection Rating: IP67



Ordering Grid

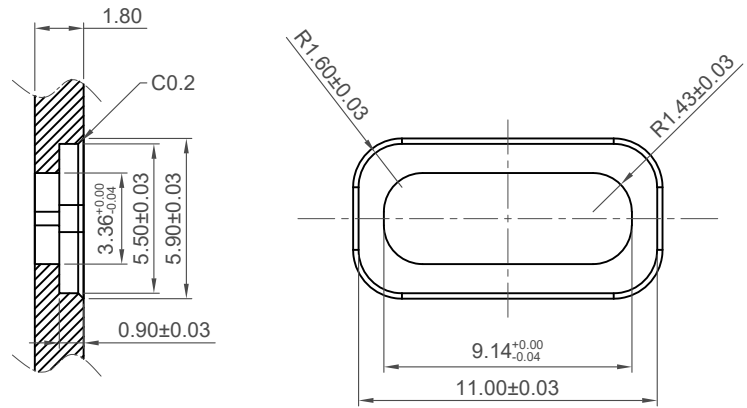


Contact Plating
GF = Gold Flash

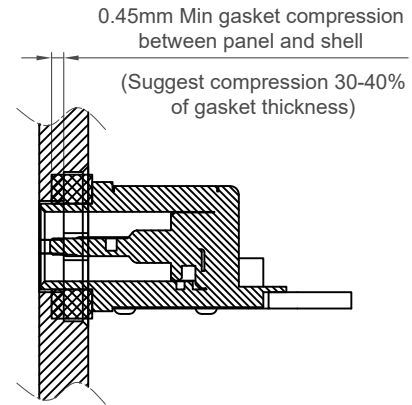
Packing Options
A = Tape & Reel (700 per reel)

Gasket Options
KIT = Includes Gasket: USBTJ-04
Blank = Connector Only (Without gasket)

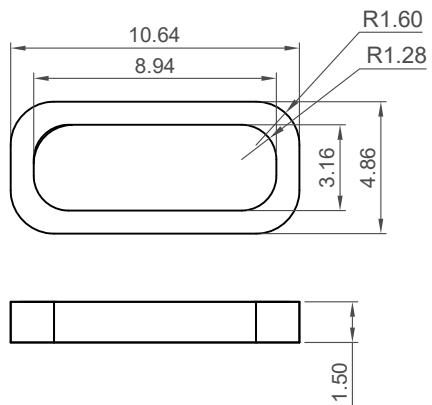
Part Number		Product Description			www.gct.co
USB4715		Type C Receptacle, Horizontal, Mid-Mount, SMT, IP67, For Power Charging Only, 6 Pin			
Drawing Date		4th July 2022			
By	CC	Tolerances (Except as Noted)	Units:		© This drawing is confidential and copyright of Global Connector Technology, Ltd (GCT). This drawing must not be copied or disclosed without written consent. E & OE
Detail	Drawing Release	Length	Angle		
Revision	A3	X.X ± 0.30	-		
Date	20/11/23	X.XX ± 0.25	X.XXX ± 0.10		
		3rd Angle Projection		Not to Scale	Drawn By CC
				Sheet No. 1/4	



Recommended Panel Spec



(Suggest compression 30-40% of gasket thickness)

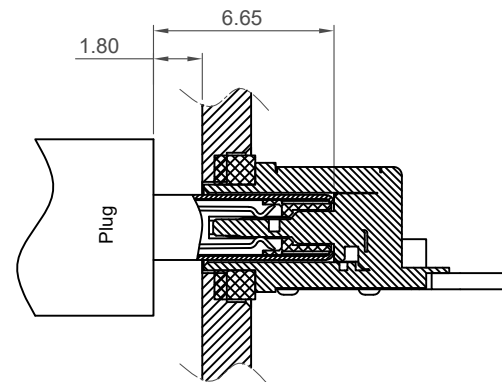


Recommended Waterproof Gasket






Gasket Part No.: USBTJ-04

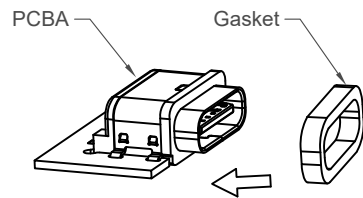
(Gasket+Connector can be ordered separately or together as a KIT)

(See separate datasheet for specification)

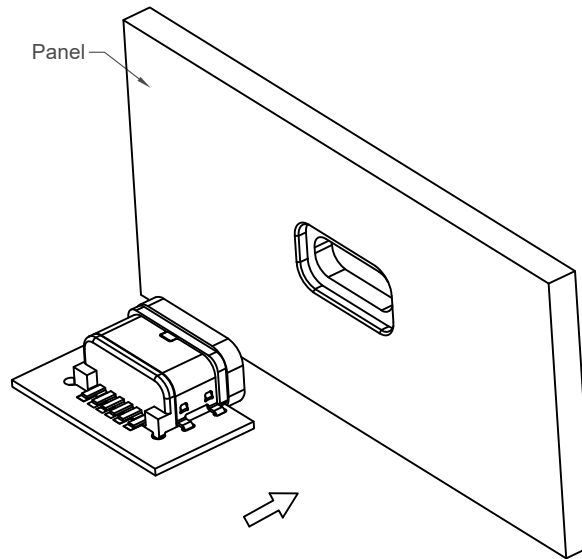


Plug and Receptacle Mating View

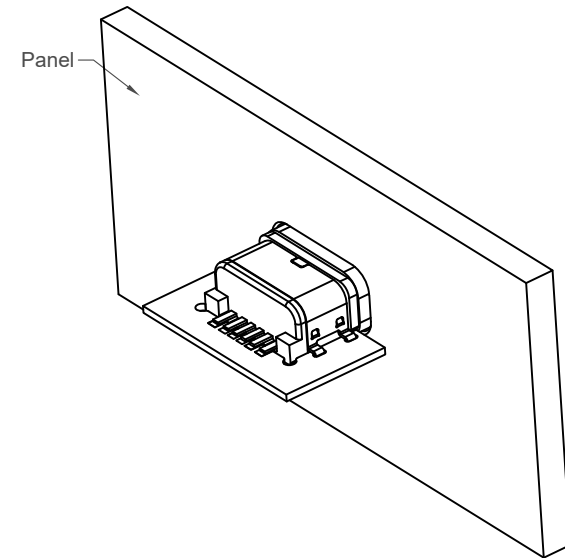
Part Number		Product Description		 www.gct.co
USB4715		Type C Receptacle, Horizontal, Mid-Mount, SMT, IP67, For Power Charging Only, 6 Pin		
Drawing Date		4th July 2022		
By	CC	Tolerances (Except as Noted)	Units:	 
Detail	Drawing Release	Length	Metric (mm)	
Revision	A3	Angle		
Date	20/11/23	X.X \pm 0.30		
		X.XX \pm 0.25		
		X.XXX \pm 0.10		
				 This drawing is confidential and copyright of Global Connector Technology, Ltd (GCT). This drawing must not be copied or disclosed without written consent. E & OE
				Not to Scale Drawn By CC
				Sheet No. 2/4



Step 1



Step 2

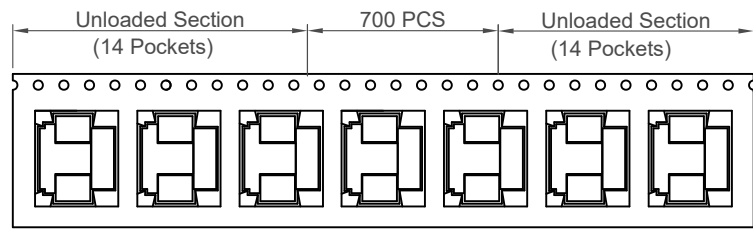


Step 3

Assembly instruction for Gasket set after Reflow
Available for Type C Receptacle Waterproof Series

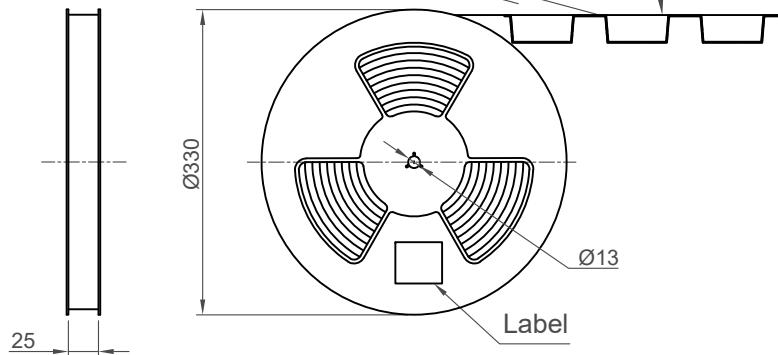
Part Number		Product Description	
USB4715		Type C Receptacle, Horizontal, Mid-Mount, SMT, IP67, For Power Charging Only, 6 Pin	
Drawing Date		4th July 2022	
By	CC	Tolerances (Except as Noted)	Units:
Detail	Drawing Release	Length X.X ± 0.30	Metric (mm)
Revision	A3	Angle X.XX ± 0.25	 3rd Angle Projection
Date	20/11/23	X.XXX ± 0.10	
		This drawing is confidential and copyright of Global Connector Technology, Ltd (GCT). This drawing must not be copied or disclosed without written consent. E & OE	
Not to Scale	Drawn By CC	Sheet No. 3/4	



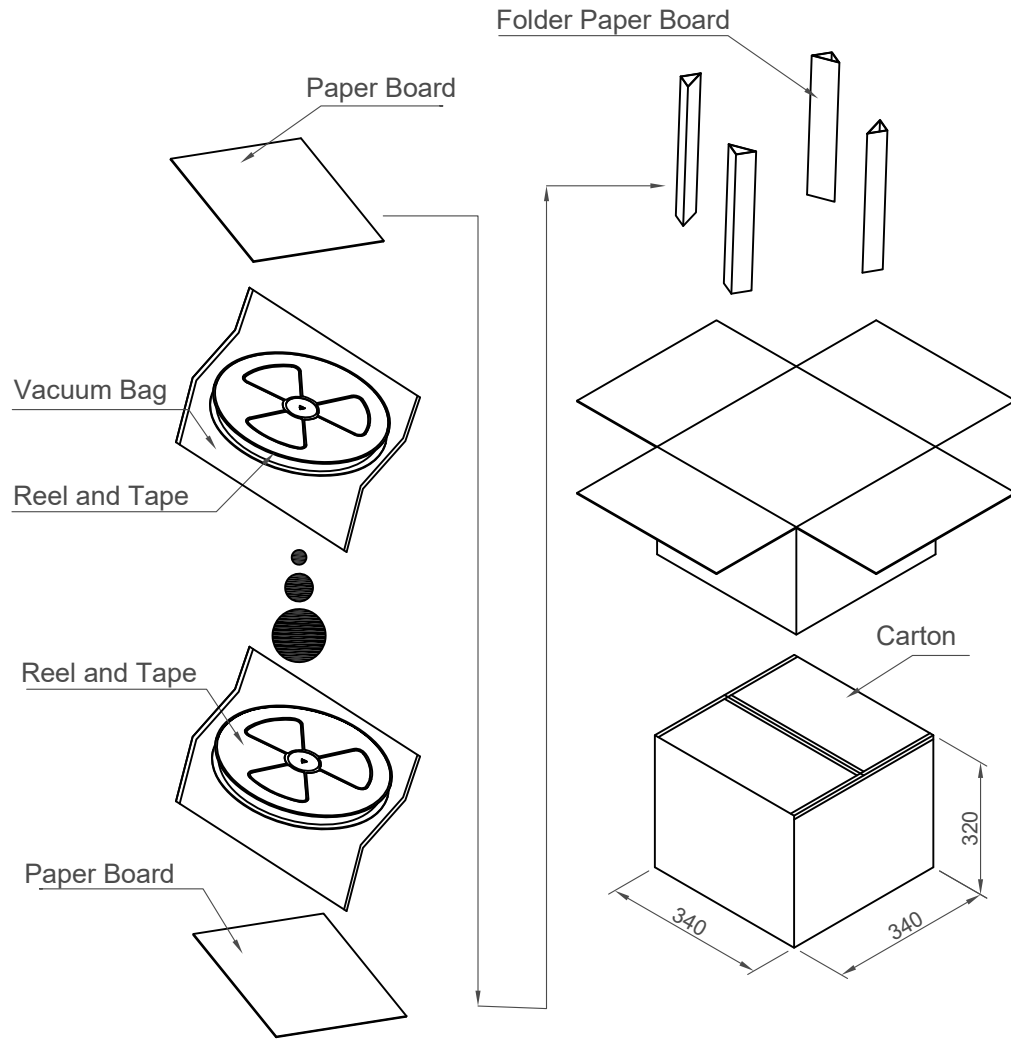
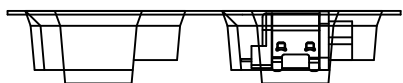
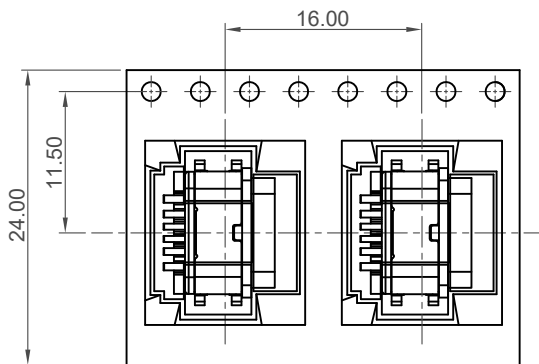


Direction of Unreeling

Peeling Angle 165°~180°



Direction of Unreeling



Pcs / Reel	Reels / Carton	Total Quantity
700	10	7,000 pcs

Part Number USB4715		Product Description Type C Receptacle, Horizontal, Mid-Mount, SMT, IP67, For Power Charging Only, 6 Pin		 www.gct.co
Drawing Date 4th July 2022				
By CC	Tolerances (Except as Noted)	Units: Metric (mm)	 This drawing is confidential and copyright of Global Connector Technology, Ltd (GCT). This drawing must not be copied or disclosed without written consent. E & OE	Not to Scale Drawn By CC Sheet No. 4/4
Detail Drawing Release	Length Angle	 3rd Angle Projection		
Revision A3				
Date 20/11/23				