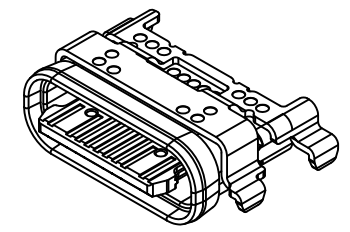


**Recommended PCB Layout**  
 Thickness 0.6±0.10mm  
 Tolerance: ±0.05mm

Pin	Signal	Mating Sequence	Pin	Signal	Mating Sequence
A1	GND	First	B12	GND	First
A4	Vbus	First	B9	Vbus	First
A5	CC1	Second	B8	SBU2	Second
A6	Dp1	Second	B7	Dn2	Second
A7	Dn1	Second	B6	Dp2	Second
A8	SBU1	Second	B5	CC2	Second
A9	Vbus	First	B4	Vbus	First
A12	GND	First	B1	GND	First
SHELL	GND		SHELL	GND	



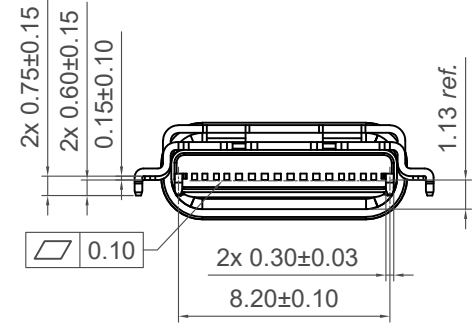
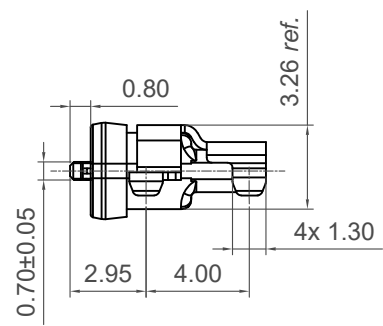
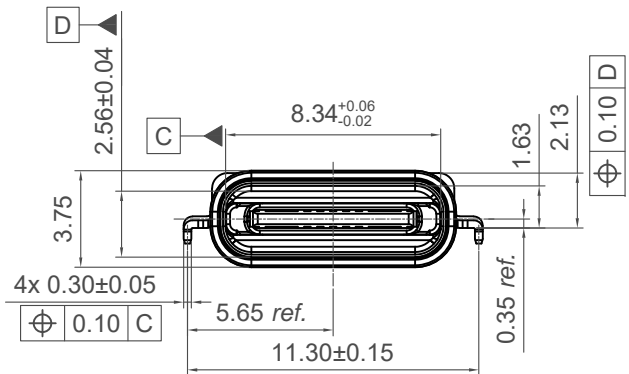
**Specifications**

**Material**  
 Insulator: PA9T, UL 94V-0, Black  
 Contact: Copper Alloy  
 Shell: Stainless Steel  
 Mid Plate: Stainless Steel  
 EMI Plate: Stainless Steel  
 Gasket: Silicone Rubber, Shore Hardness 60A

**Plating**  
**Contact**  
 Contact Area: 3µ" Gold  
 Solder Tails: Gold Flash  
 Underplating: 50µ" min. Nickel  
**Shell:**  
 Solder Tails: Gold Flash  
 Underplating: 50µ" min. Nickel  
 Mid Plate: 50µ" min. Nickel  
 EMI Plate: Clear

**Electrical**  
 Current Rating: 5.00A collectively for Vbus pins  
 6.25A collectively for GND pins  
 1.25A for A5/B5 pin  
 0.25A per pin for all others pins  
 Voltage Rating: 48V DC  
 Power Rating: 240W  
 Contact Resistance: 40mΩ max initial.  
 50mΩ max after test  
 Dielectric Withstanding Voltage: 100V AC  
 Insulation Resistance 100MΩ min

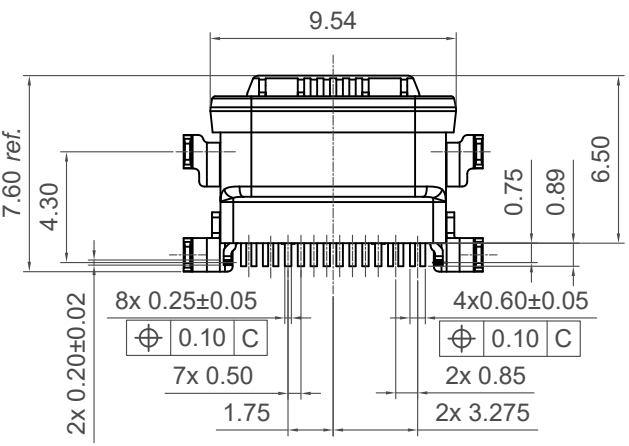
**Mechanical & Environmental**  
 Operating Temperature: -30°C to +85°C  
 Mating Force: 5 to 20 N.  
 Unmated Force: 6 to 20 N after test  
 Durability: 20,000 cycles  
 Ingress Protection Rating: IP67



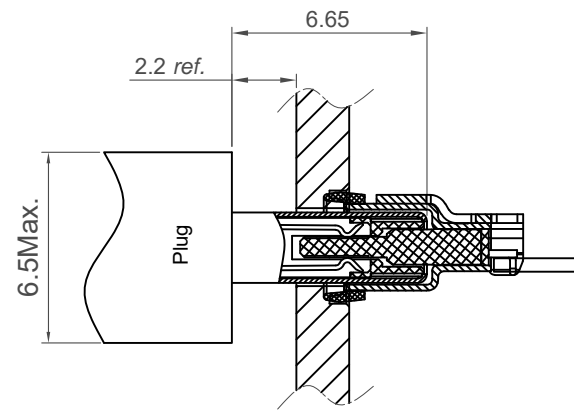
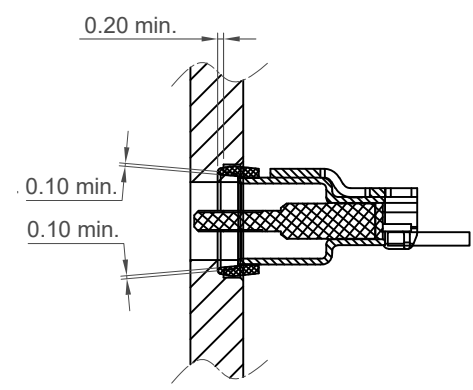
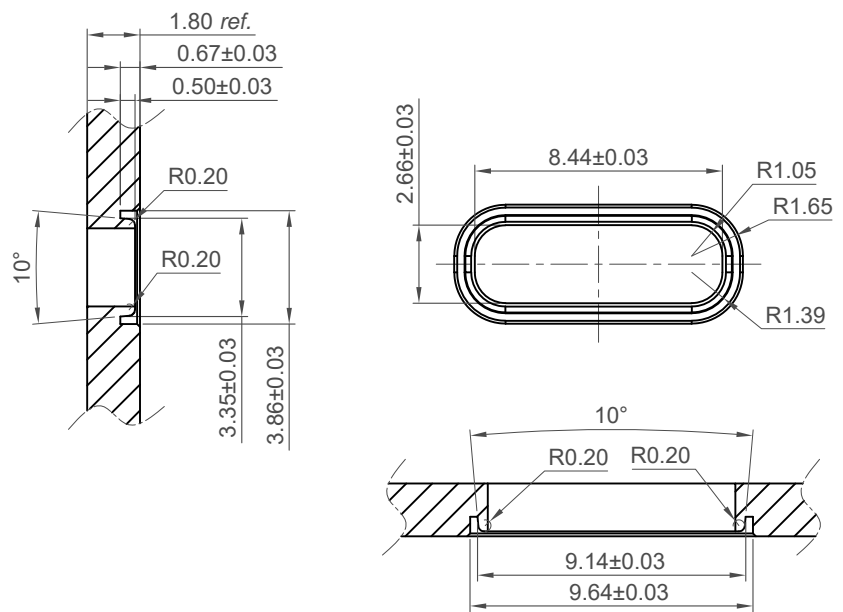
**Ordering Grid**  
**USB4720 - 03 - A** Request Samples and Quotation

**Contact Plating**  
 03 = 3µ" Gold

**Packing Options**  
 A = Tape & Reel  
 (1300 per reel)



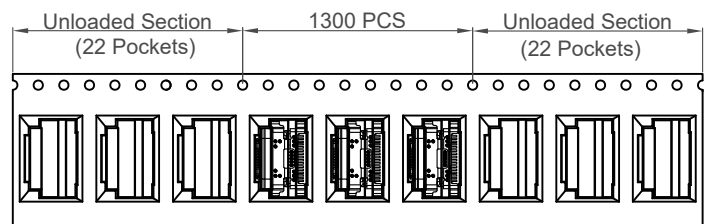
Part Number USB4720		Product Description Type C Receptacle For USB2.0, SMT Type, Mid-Mount Horizontal, IP67, 16 Pin		
Drawing Date 26th October 2023				
By CC	Tolerances (Except as Noted)		Units: Metric (mm)	
Detail Drawing Release	Length X.X ± 0.20 X.XX ± 0.15 X.XXX ± 0.10		Angle	
Revision A			3rd Angle Projection	
Date 26/10/23				
		This drawing is confidential and copyright of Global Connector Technology, Ltd (GCT). This drawing must not be copied or disclosed without written consent. E & OE		<a href="http://www.gct.co">www.gct.co</a>
Not to Scale	Drawn By CC	Sheet No. 1/3		



Part Number		Product Description			This drawing is confidential and copyright of Global Connector Technology, Ltd (GCT). This drawing must not be copied or disclosed without written consent. E & OE
USB4720		Type C Receptacle For USB2.0, SMT Type, Mid-Mount Horizontal, IP67, 16 Pin			
Drawing Date		26th October 2023			
By	CC	Tolerances (Except as Noted)	Units:		
Detail	Drawing Release	Length	Metric (mm)		
Revision	A	Angle			
Date	26/10/23	X.X ± 0.20			
		X.XX ± 0.15			
		X.XXX ± 0.10			

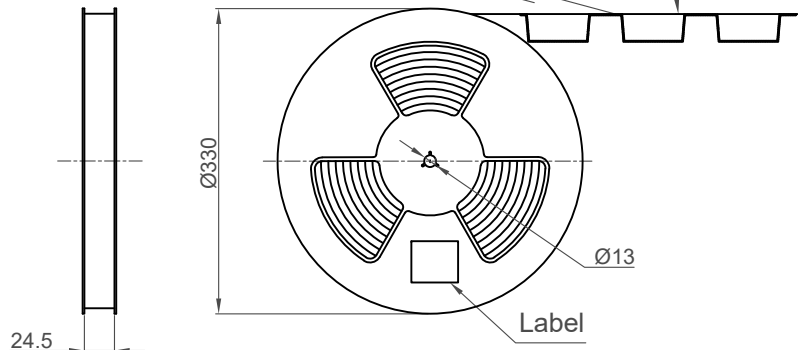


Not to Scale	Drawn By CC	Sheet No. 2/3
--------------	----------------	------------------

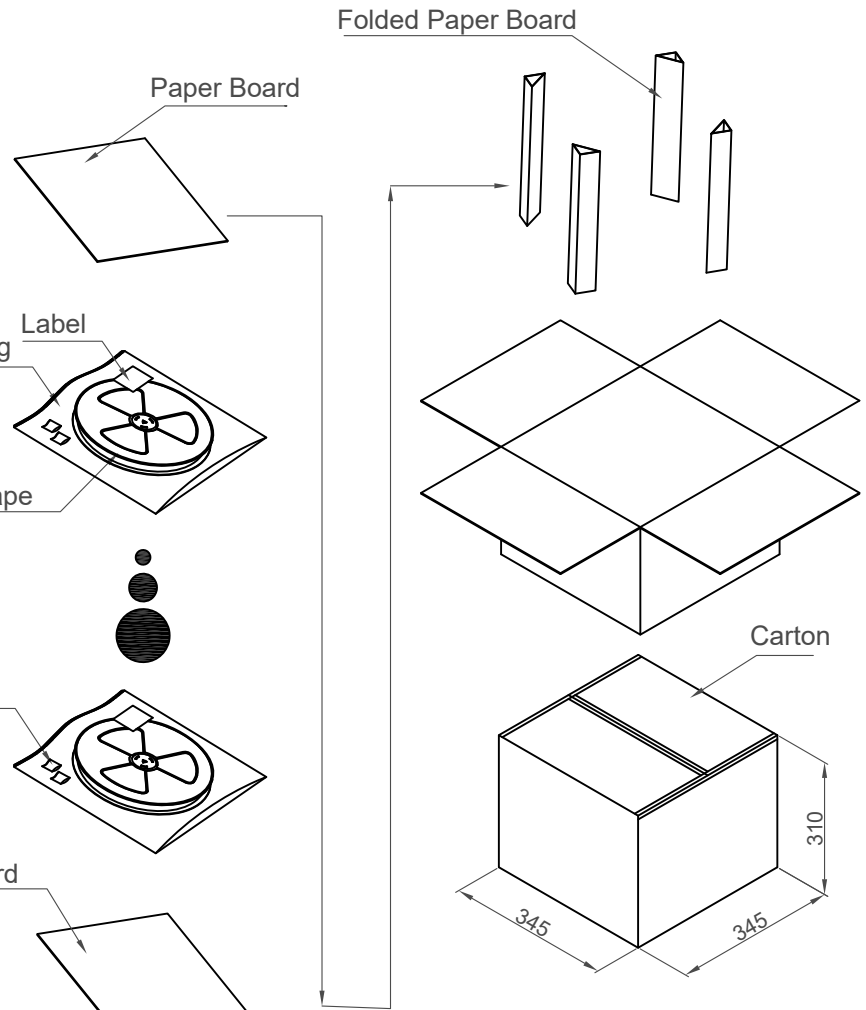
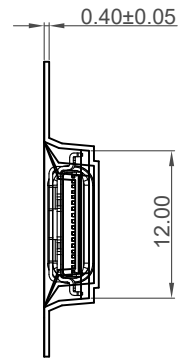
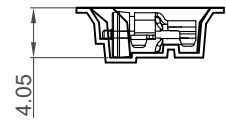
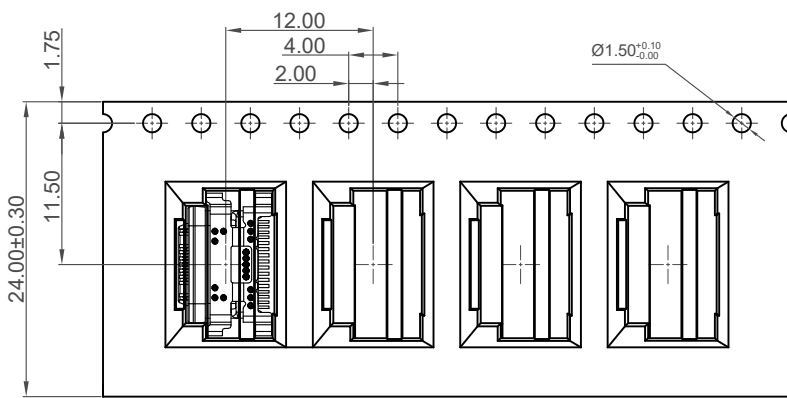


Direction of Unreeling →

Peeling Angle 165°~180°



Direction of Unreeling →



Pcs / Reel	Reels / Carton	Total Quantity
1300	10	13,000 pcs

Part Number USB4720		Product Description Type C Receptacle For USB2.0, SMT Type, Mid-Mount Horizontal, IP67, 16 Pin		 www.gct.co
Drawing Date 26th October 2023				
By CC	Tolerances (Except as Noted)		Units: Metric (mm)	
Detail Drawing Release	X.X ± 0.20	Length	Angle	 This drawing is confidential and copyright of Global Connector Technology, Ltd (GCT). This drawing must not be copied or disclosed without written consent. E & OE
Revision A	X.XX ± 0.15	-		
Date 26/10/23	X.XXX ± 0.10	3rd Angle Projection		
Not to Scale		Drawn By CC	Sheet No. 3/3	