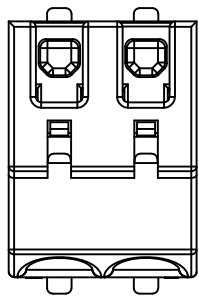
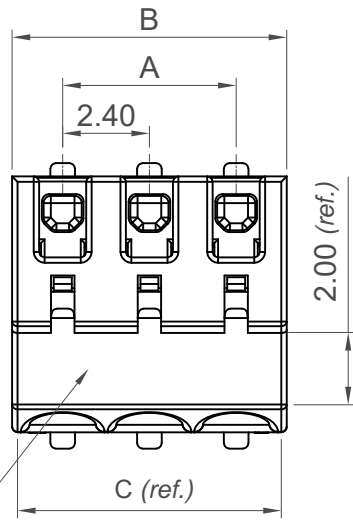


1 Contact

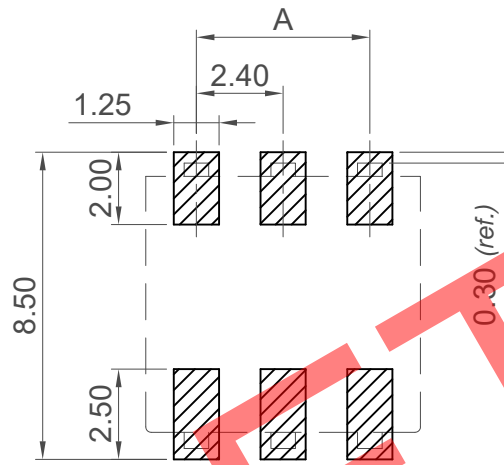


2 Contacts



3 Contacts

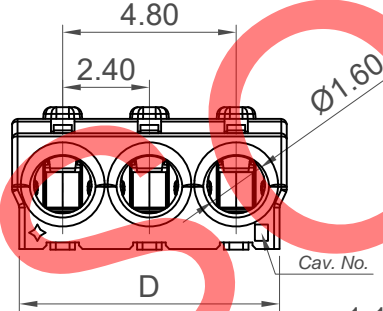
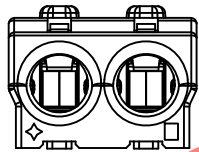
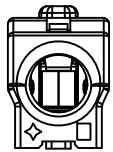
Pick & Place Area



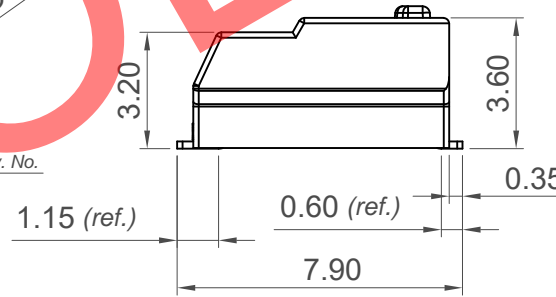
Recommended PCB Layout

General Tolerance: ± 0.05
as viewed from component side

▨ Solder Area □ Component Outline



Cav. No.



Specifications 规格

Material 物料

Insulator 绝缘体: LCP, UL 94V-0 (Cream)
Plastic Cover 塑胶外壳: LCP, UL 94V-0 (Cream)
Contact Terminal 接触端子: Copper Alloy T=0.20mm

Plating 电镀

Contact 接触: Tin over Nickel

Electrical 电气

Voltage Rating 电压额定值: 300V max.
Current Rating 电流额定值: 4 Amp max.
Contact Resistance 接触电阻值: 20 mΩ max.
Insulation Resistance 绝缘电阻值: 1000 MΩ min.
Dielectric Withstand Voltage 耐电压: 1500 V AC

Mechanical & Environmental 机械 & 环境

Operating Temperature 工作温度: -25°C to +105°C

Applicable Wire Range 适用线径规格:

Stranded Wire 多股线: #24AWG, #22AWG
Max. Insulation OD 最大线径: Ø1.50mm

Note: Please see Product Specification document for more detailed information.

Ordering Grid

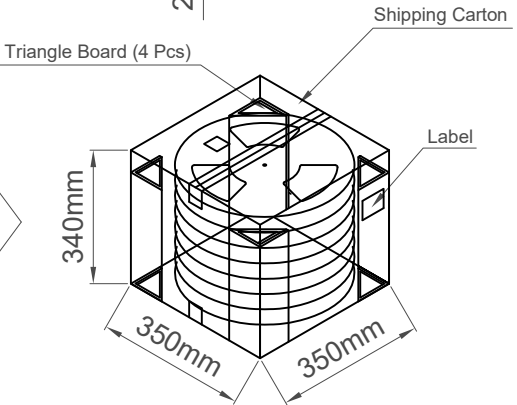
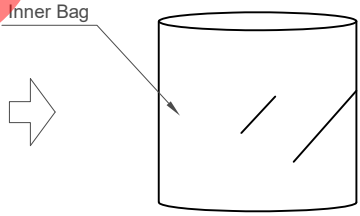
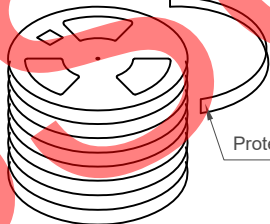
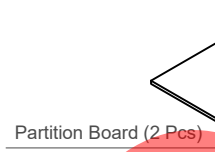
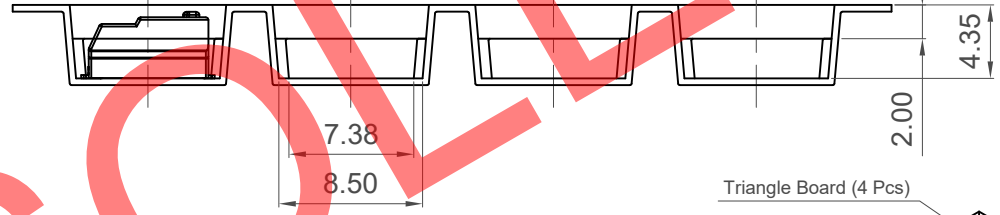
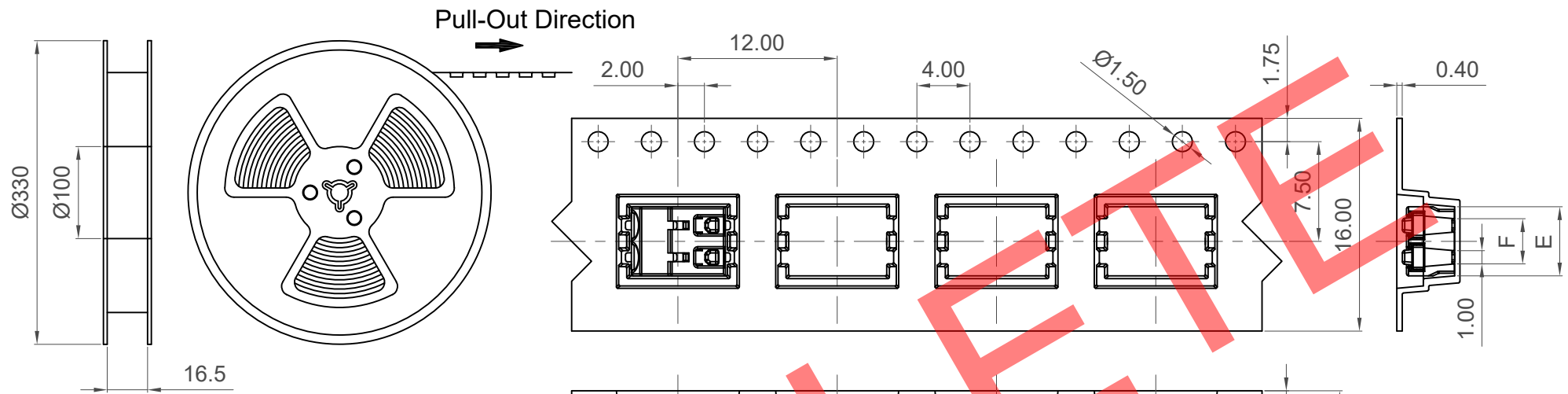
BL300 -
 XX -
 A
Request Samples and Quotation

No. of Contacts
01 - 03

Packing Options
A = Tape & Reel
(1200 per reel)

| Number of Contacts | Dimensions | | | |
|--------------------|------------|------|------|------|
| | A | B | C | D |
| 1 | n/a | 2.80 | 2.50 | 2.40 |
| 2 | 2.40 | 5.20 | 4.90 | 4.80 |
| 3 | 4.80 | 7.60 | 7.30 | 7.20 |

| | | | |
|------------------------------------|--|--|---|
| Part Number BL300 | | Product Description 2.40mm Pitch, Surface Mount Wire Trap Connector | |
| Drawing Date 18th January 2016 | | | |
| By CC | Tolerances (Except as Noted) Length | Units: Metric (mm) | <p>This drawing is confidential and copyright of Global Connector Technology, Ltd (GCT). This drawing must not be copied or disclosed without written consent. E & OE</p> |
| Detail BL300 X EOLN 20210318 | Angle | ± 3° | |
| Revision X | X.X ± 0.35 | | |
| Date 06/10/21 | X.XX ± 0.25 | | |
| | | 3rd Angle Projection | <p>www.gct.co</p> |
| Not to Scale | Drawn By AJO | Sheet No. 1/2 | |



| Number of Contacts | Dimension | |
|--------------------|-----------|------|
| | E | F |
| BL300-01-A | 2.80 | n/a |
| BL300-02-A | 5.20 | 3.40 |
| BL300-03-A | 7.60 | 5.80 |

| Packing Quantity | | | |
|------------------|----------|-------------|------------|
| Part No. | Pcs/Reel | Reel/Carton | Pcs/Carton |
| BL300 | 1200 | 14 | 16,800 |

| | | | |
|--------------|-----------------------|---|-------------|
| Part Number | | Product Description | |
| BL300 | | 2.40mm Pitch, Surface Mount Wire Trap Connector | |
| Drawing Date | | 18th January 2016 | |
| By | CC | Tolerances (Except as Noted) | Units: |
| Detail | BL300 X EOLN 20210318 | Length | Metric (mm) |
| Revision | X | Angle | ± 3° |
| Date | 06/10/21 | X.X ± 0.35 | |
| | | X.XX ± 0.25 | |



This drawing is confidential and copyright of Global Connector Technology, Ltd (GCT). This drawing must not be copied or disclosed without written consent. E & OE



| | | |
|--------------|--------------|---------------|
| Not to Scale | Drawn By AJO | Sheet No. 2/2 |
|--------------|--------------|---------------|