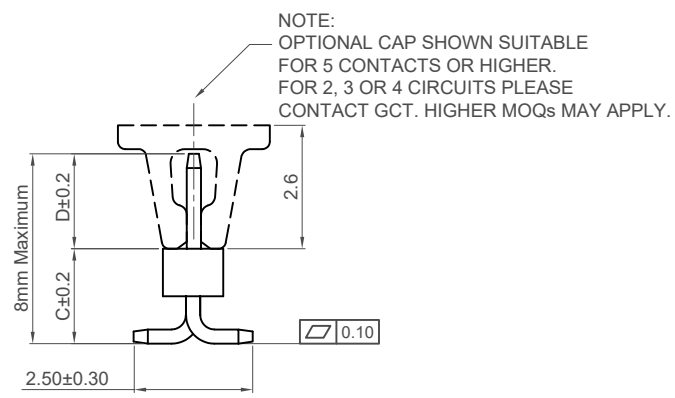
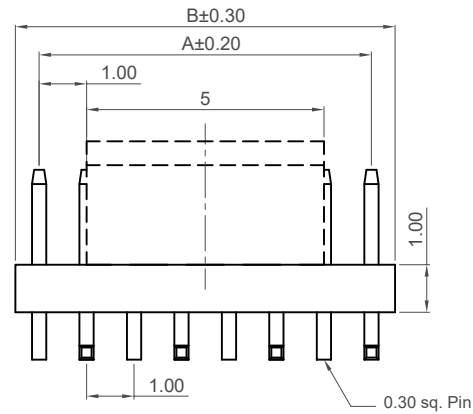
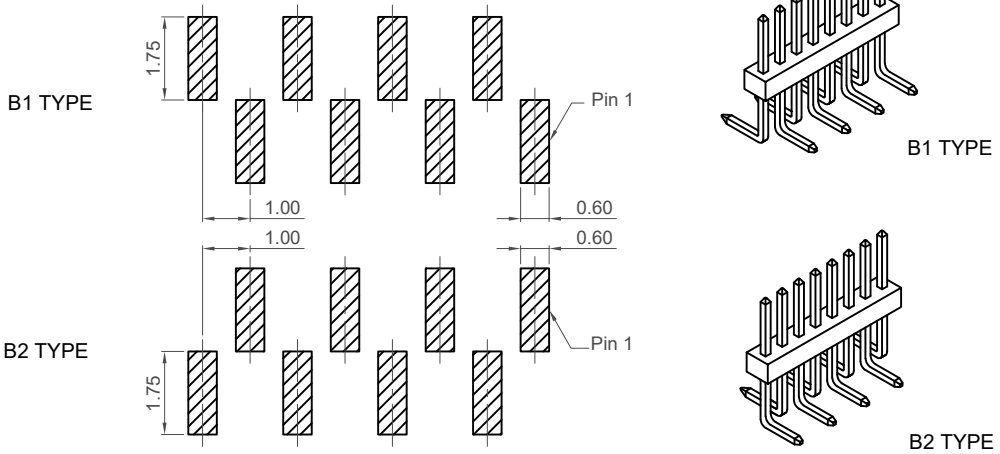
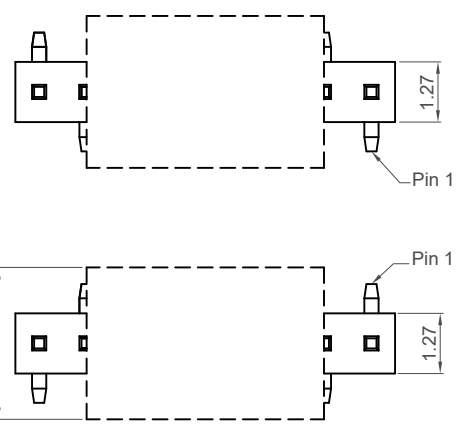


H
G
F
E
D
C
B
A



No. of Contacts	Dimensions	
	A	B
2	1.00	2.00
3	2.00	3.00
4	3.00	4.00
5	4.00	5.00
6	5.00	6.00
7	6.00	7.00
8	7.00	8.00
9	8.00	9.00
10	9.00	10.00
11	10.00	11.00
12	11.00	12.00
13	12.00	13.00
14	13.00	14.00
15	14.00	15.00
16	15.00	16.00
17	16.00	17.00
18	17.00	18.00
19	18.00	19.00
20	19.00	20.00
21	20.00	21.00
22	21.00	22.00
23	22.00	23.00
24	23.00	24.00
25	24.00	25.00
26	25.00	26.00
27	26.00	27.00
28	27.00	28.00
29	28.00	29.00
30	29.00	30.00
31	30.00	31.00
32	31.00	32.00
33	32.00	33.00
34	33.00	34.00
35	34.00	35.00
36	35.00	36.00
37	36.00	37.00
38	37.00	38.00
39	38.00	39.00
40	39.00	40.00



Recommended PCB Layout
General Tolerance ±0.05
Solder Area

Ordering Grid
BC032-XX-A-X-XXXX-XXXX-L-X

No. of Contacts
02 to 40

Contact Plating
A = Gold Flash All Over (Standard)

Type
2 = B2 Type (Standard)
1 = B1 Type

Dimension C (1/100mm)
(Bottom of Pin to Top of Insulator)
0200 = 2.00mm (Standard)
or specify Dimension C
eg 0250 = 2.50mm
(Minimum 0150=1.50mm)

Packing Options
B = Tape and Reel with Cap (Standard) - See note above
D = Tube (unavailable in 2 & 3 contacts)
E = Tube with Cap (unavailable in 2, 3, 4, 5 contacts)
G = Plastic Box (only available in 2 & 3 contacts)

Insulator Material
L = LCP (Standard)

Dimension D (1/100mm) (Post Height)
0200 = 2.00mm (Standard)
0380 = 3.80mm (Standard)
or specify Dimension D
eg 0250 = 2.50mm
(Maximum 0500=5.00mm)
(Minimum 0100=1.00mm)

Request Samples and Quotation

Specifications

Material
Contact: Phosphor Bronze
Insulator: Polymer LCP, UL 94V-0, Black

Plating
Gold Flash All Over

Electrical
Current Rating: 1 Amp
Contact Resistance: 20 mΩ max.
Insulation Resistance: 1000 MΩ min.
Dielectric Withstand Voltage: 300 V AC

Soldering Process:
IR Reflow: 260°C for 10 sec.
Wave: 250°C for 5-10 sec
Manual Solder: 350°C for 3-5 sec

Mechanical & Environmental
Operating Temperature: -40°C to +105°C

Mates with (Subject to pin length):
BC065 BC070 BC075

Part Number BC032		Product Description 1.0mm Pitch Pin Header, Single Row, Surface Mount, Vertical			This drawing is confidential and copyright of Global Connector Technology, Ltd (GCT). This drawing must not be copied or disclosed without written consent. E & OE
Drawing Date 20th May 2008		Units: Metric (mm)			
By	KY	Tolerances (Except as Noted)			
Detail	BC032 F PCN	Length X. ± 0.30	Angle X.° ± 5°		
Revision	F2	X.X ± 0.25	X.X° ± 3°		
Date	18/06/24	X.XX ± 0.15	X.XX° ± 2°		
		X.XXX ± 0.10	X.XXX° ± 1°		
Not to Scale	Drawn By ASE	Sheet No. 1/1		www.gct.co	